

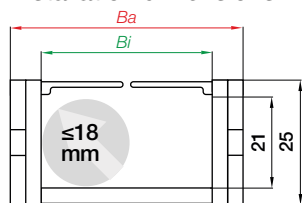


Version ZF14 | "easy" design, split crossbar along the inner radius

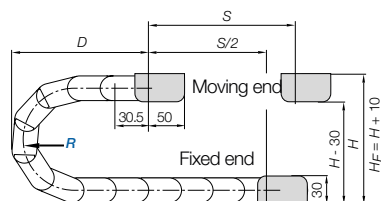
Part No.	Bi	Ba	R Available bend radii	Weight
e-chains®	[mm]	[mm]	[mm]	[kg/m]
ZF14.038.R.0	38	46.6	028	≈ 0.297

Complete Part No. with required radius (R). Example: ZF14.038.028.0

Installation dimensions

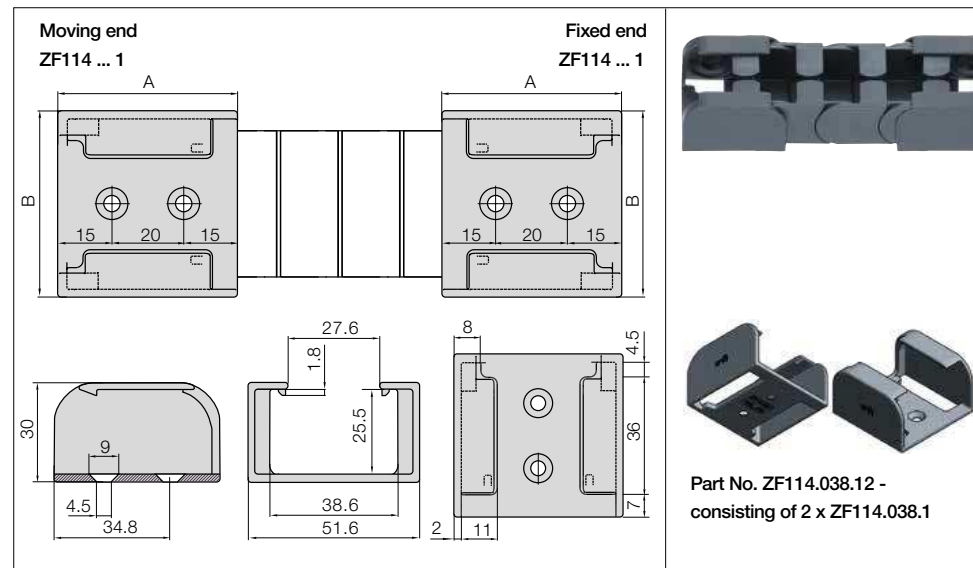


Inner height [mm]	21
Pitch [mm/link]	30.5
Links/m	33
corresponds to [mm]	1,006.5
e-chain® length $L_K = S/2 + K$	



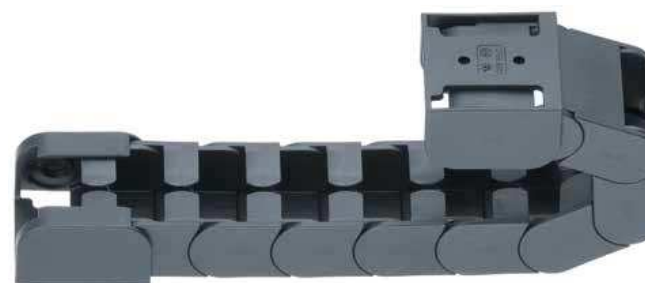
R	028
H ^s	86
D	116.5
K	211

The required clearance height: $H_F = H + 10\text{mm}$ (with 0.2kg/m fill weight)



Width index	Part No. full set	A [mm]	B [mm]
038	ZF114.038.12	51.6	50

Suitable mounting bracket for moving and fixed ends



Mounting brackets for easy fitting to furniture. Can be easily detached and re-attached.