

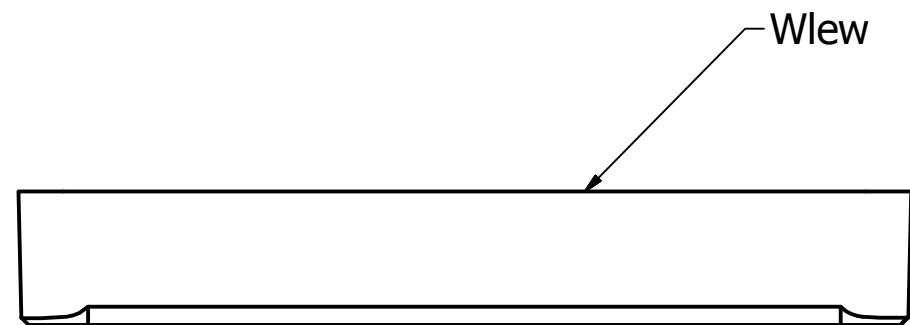
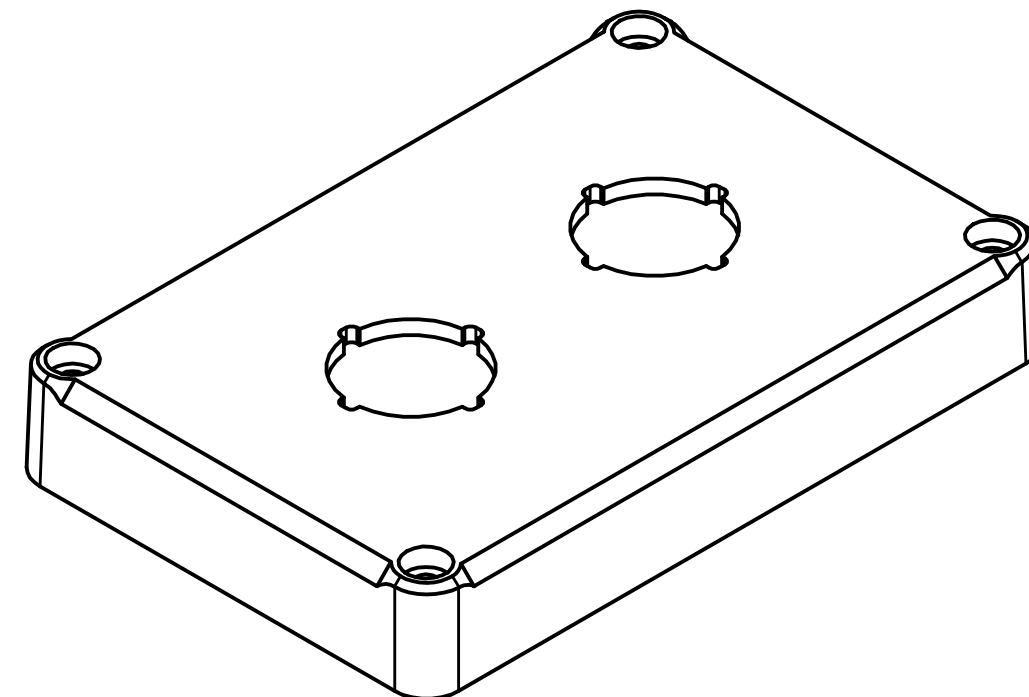
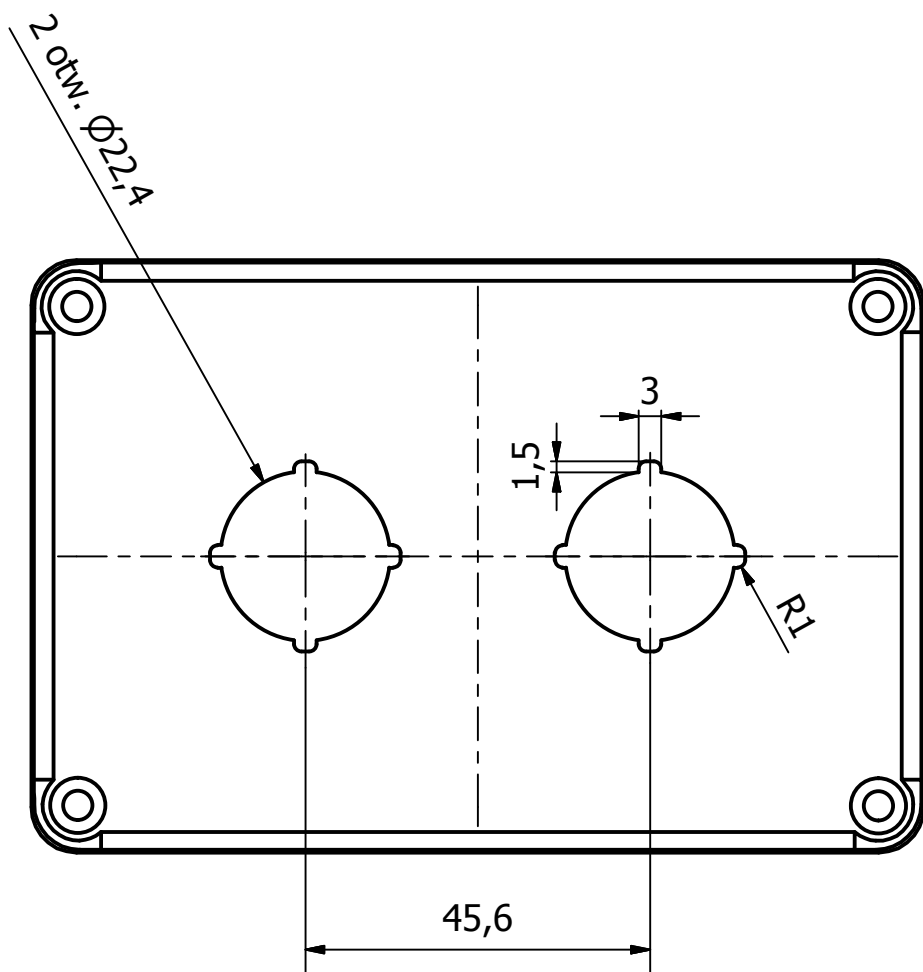


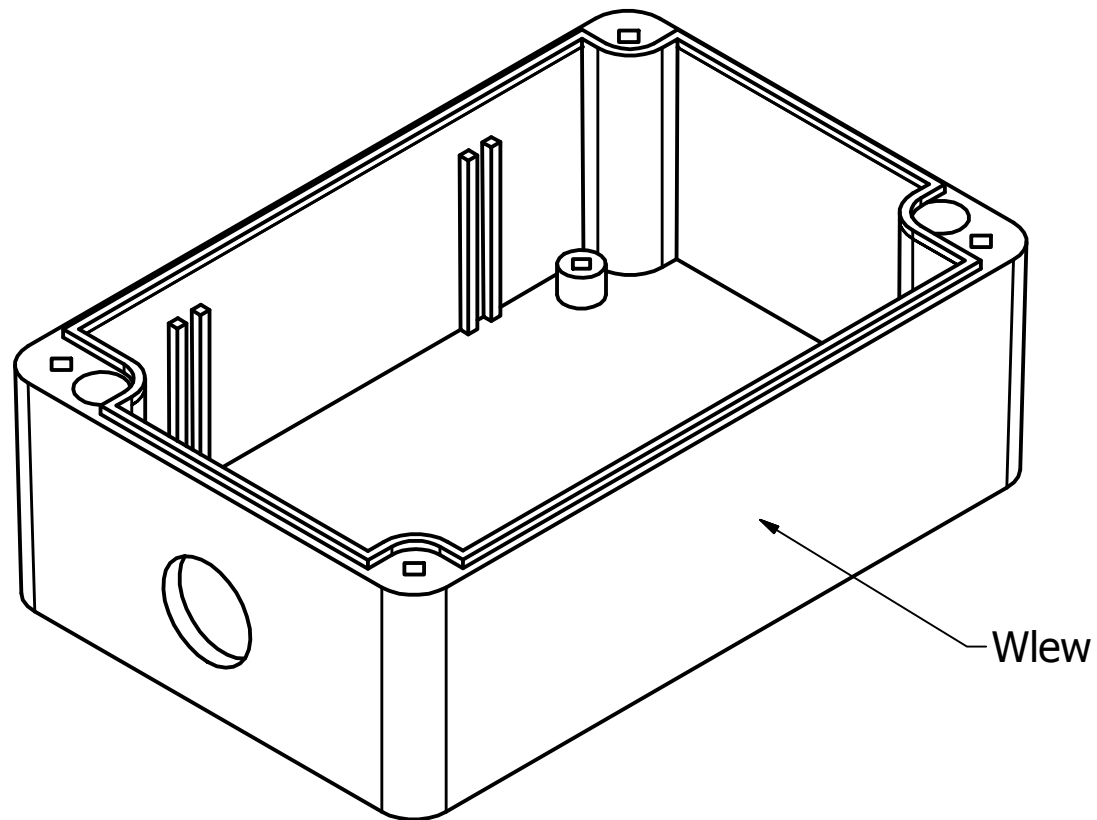
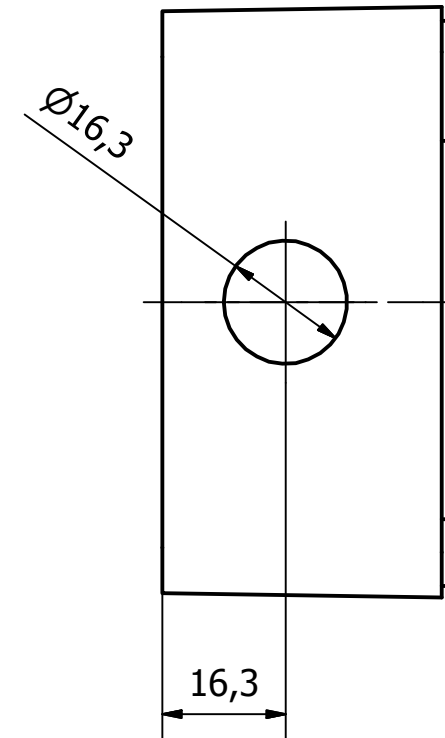
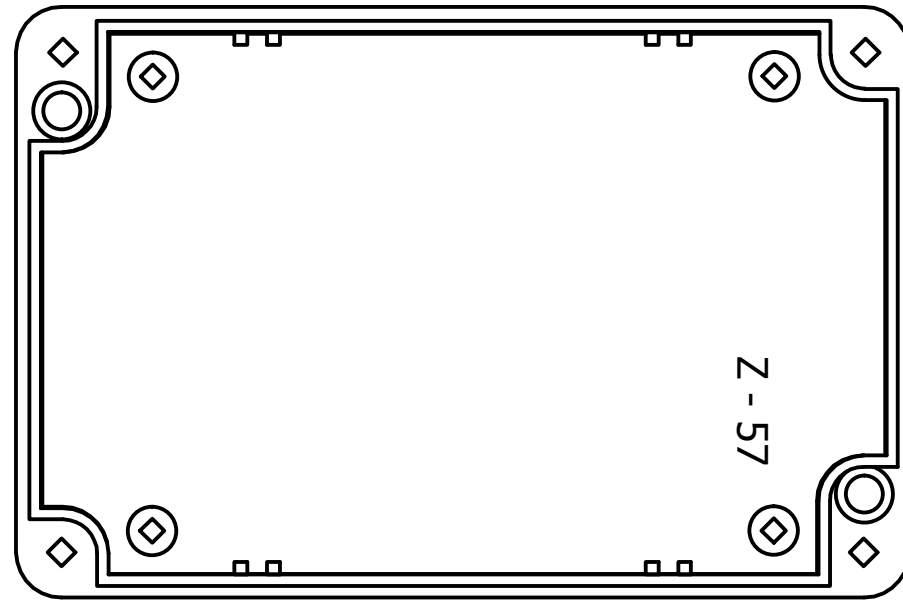




TITLE		ZEB118.78.55-2		PART	Assemble	MATERIAL	
Design by:	Kruhlianytsia O.	Sig.		Desing Date:	2023-03-22		
Approved by:	Drzazgowski M.	Sig.		Approved Date:	2023-06-14		
		All rights reserved, Copyright Kradex 2023				FORMAT	
		SCALE	1 : 1	UNIT	mm	PROJECTION	

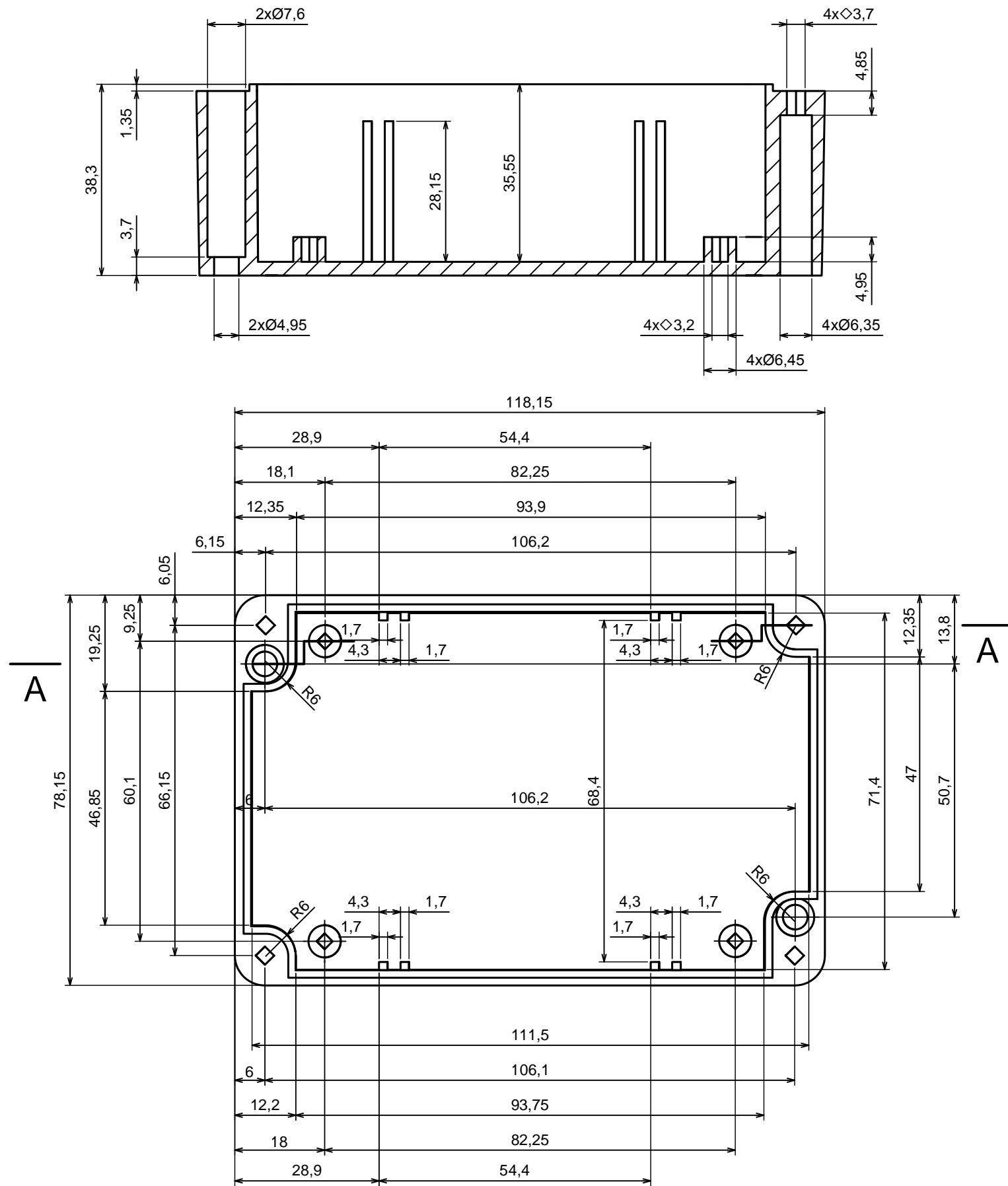


TITLE		ZEB118.78.55-2		PART	Cover	MATERIAL	ABS	
Design by:	Kruhlianytsia O.	Sig.		Desing Date:	2023-03-22			
Approved by:	Drzazgowski M.	Sig.		Approved Date:	2023-06-14			
		All rights reserved, Copyright Kradex 2023				FORMAT		A3
		SCALE	1 : 1	UNIT	mm	PROJECTION		



TITLE		ZEB118.78.55-2		PART	Base	MATERIAL	ABS
Design by:	Kruhlianytsia O.	Sig.		Desing Date:	2023-03-22		
Approved by:	Drzazgowski M.	Sig.		Approved Data	2023-06-14		
		All rights reserved, Copyright Kradex 2023				FORMAT	A3
		SCALE	1 : 1	UNIT	mm	PROJECTION	

# A-A



All rights reserved, Copyright Kradox 2016	
Product model	Enclosure Z57 - base
Format: A3	Material: PS, ABS
Scale 1:1	Tolerance: +/- 0.5

