

Product data sheet

Specifications



Monolithic tower lights, Harmony XVG, 60mm, red orange green, steady light, buzzer, aluminium tube mounting and L bracket, IP23, 24V AC/DC

XVGB3S

Main

| | |
|------------------------------------|--|
| Range of product | Harmony XVG |
| Product or component type | Complete pre-wired monolithic tower light |
| Beacon or indicator bank unit type | 3 illuminated units |
| Material | PC (UL94 V-2): globe ABS (UL94HB): tube body Aluminium: tube |
| Mounting diameter | 60 mm |
| Component name | XVG |
| Device mounting | Tube with L bracket |
| Light source | LED steady red LED steady green LED steady amber |
| Light block color | Red/orange/green |
| Indicator bank base type | Base with integrated buzzer |

Complementary

| | |
|--|----------------------|
| Rated supply voltage | 24 V AC/DC |
| Cable cross section | 0.33 mm ² |
| Discrete output type | PNP and NPN |
| [Uimp] rated impulse withstand voltage | 0.5 kV |
| Current consumption | 180 mA |
| Noise level | 85 dB |
| Power consumption in W | 4.1 W |
| Fundamental frequency | 2.64 kHz |
| Net weight | 0.47 kg |

Environment

| | |
|-------------------------------------|-------------|
| Product certifications | CE EAC |
| Ambient air temperature for storage | -35...70 °C |

| | |
|---------------------------------------|-------------|
| Ambient air temperature for operation | -10...50 °C |
|---------------------------------------|-------------|

| | |
|-------------------------|------|
| IP degree of protection | IP23 |
|-------------------------|------|

Packing Units

| | |
|------------------------|-----|
| Unit Type of Package 1 | PCE |
|------------------------|-----|

| | |
|------------------------------|---|
| Number of Units in Package 1 | 1 |
|------------------------------|---|

| | |
|------------------|--------|
| Package 1 Height | 8.1 cm |
|------------------|--------|

| | |
|-----------------|---------|
| Package 1 Width | 14.1 cm |
|-----------------|---------|

| | |
|------------------|---------|
| Package 1 Length | 54.6 cm |
|------------------|---------|

| | |
|------------------|---------|
| Package 1 Weight | 661.0 g |
|------------------|---------|

| | |
|------------------------|-----|
| Unit Type of Package 2 | S04 |
|------------------------|-----|

| | |
|------------------------------|---|
| Number of Units in Package 2 | 6 |
|------------------------------|---|

| | |
|------------------|-------|
| Package 2 Height | 30 cm |
|------------------|-------|

| | |
|-----------------|-------|
| Package 2 Width | 40 cm |
|-----------------|-------|

| | |
|------------------|-------|
| Package 2 Length | 60 cm |
|------------------|-------|

| | |
|------------------|---------|
| Package 2 Weight | 4.91 kg |
|------------------|---------|

| | |
|------------------------|-----|
| Unit Type of Package 3 | P06 |
|------------------------|-----|

| | |
|------------------------------|----|
| Number of Units in Package 3 | 30 |
|------------------------------|----|

| | |
|------------------|-------|
| Package 3 Height | 72 cm |
|------------------|-------|

| | |
|-----------------|-------|
| Package 3 Width | 60 cm |
|-----------------|-------|

| | |
|------------------|-------|
| Package 3 Length | 80 cm |
|------------------|-------|

| | |
|------------------|-------|
| Package 3 Weight | 33 kg |
|------------------|-------|

Offer Sustainability

| | |
|--------------------------|-----------------------|
| Sustainable offer status | Green Premium product |
|--------------------------|-----------------------|

| | |
|------------------|-----------------------------------|
| REACH Regulation | REACH Declaration |
|------------------|-----------------------------------|

| | |
|-------------------|---|
| EU RoHS Directive | Pro-active compliance (Product out of EU RoHS legal scope) EU RoHS Declaration |
|-------------------|---|

| | |
|--------------|-----|
| Mercury free | Yes |
|--------------|-----|

| | |
|-----------------------|--|
| China RoHS Regulation | China RoHS declaration |
|-----------------------|--|

| | |
|----------------------------|-----|
| RoHS exemption information | Yes |
|----------------------------|-----|

| | |
|--------------------------|---|
| Environmental Disclosure | Product Environmental Profile |
|--------------------------|---|

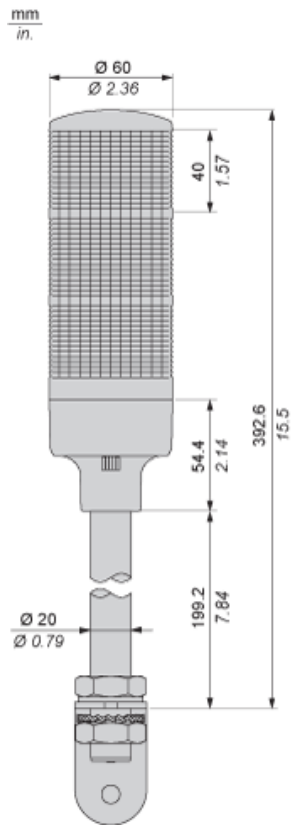
| | |
|---------------------|---|
| Circularity Profile | End of Life Information |
|---------------------|---|

| | |
|---------------------------|---|
| California proposition 65 | WARNING: This product can expose you to chemicals including: Lead and lead compounds, which is known to the State of California to cause cancer and birth defects or other reproductive harm. For more information go to www.P65Warnings.ca.gov |
|---------------------------|---|

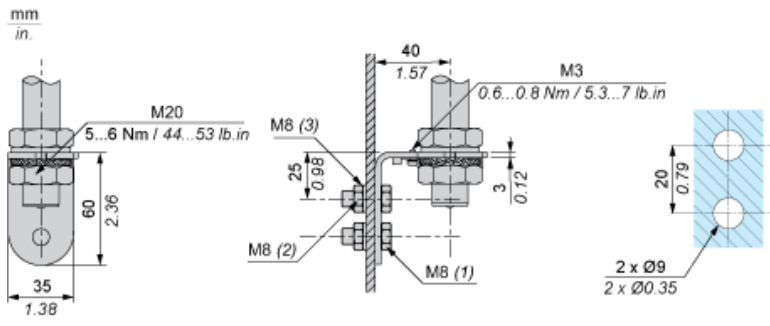
Contractual warranty

| | |
|----------|-----------|
| Warranty | 18 months |
|----------|-----------|

Dimensions

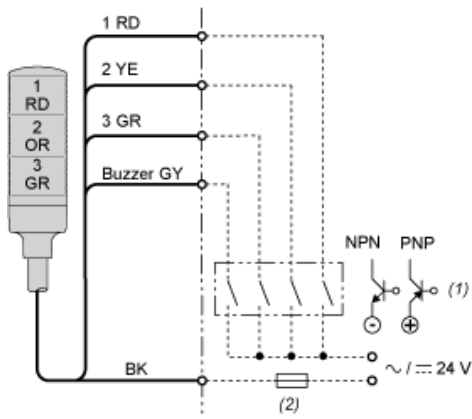


Mounting



- (1) Thickness +10 mm/0.39 in
- (2) Hexagon Nut
- (3) Washer

Wiring



- (1) "ON" for lighting and/or applying continuous sound.
- (2) Fuse (rated current: 0.5 A)
- RD : Red
- YE : Yellow
- GR : Green
- GY : Grey
- OR : Orange
- BK : Black

Recommended replacement(s)