

Stainless steel version available

► Page 899

### Technical data and dimensions [mm]

Part No.	Floating bearing clearance	Weight [g]	B	C1	C3	A3	K2	K3	Static load capacity		
									Coy [N]	Coz+ [N]	Coz- [N]
WJ200UM-01-10	–	41	26	29	16	6.5	M6	M5	1,200	1,200	250
WJ200UM-01-10-LL	±0.2	41	26	29	16	6.5	M6	M5	1,200	1,200	250
WJ200UM-01-10-AL	–	20	26	29	16	6.5	M6	M5	1,200	1,200	250
WJ200UM-01-16	–	100	34.5	36	18	9	M8	M6	2,100	2,100	400
WJ200UM-01-16-LL	±0.2	100	34.5	36	18	9	M8	M6	2,100	2,100	400
WJ200UM-01-16-AL	–	48	34.5	36	18	9	M8	M6	2,100	2,100	400
WJ200UM-01-20	–	190	42.5	45	27	9	M8	M6	3,200	3,200	500
WJ200UM-01-20-LL	±0.25	190	42.5	45	27	9	M8	M6	3,200	3,200	500
WJ200UM-01-20-AL	–	99	42.5	45	27	9	M8	M6	3,200	3,200	500
WJ200UM-01-25	–	425	52.5	58	36	11	M10	M8	4,800	4,800	950
WJ200UM-01-25-LL	±0.25	425	52.5	58	36	11	M10	M8	4,800	4,800	950
WJ200UM-01-25-AL	–	250	52.5	58	36	11	M10	M8	4,800	4,800	950



Order example:

WJ200UM-01-10: Housing bearing, round

WJ200UM-01-10-LL: Housing bearing, round, floating bearing

WJ200UM-01-10-AL: Housing bearing, round, made from aluminium



Order key – single rail



Order key – housing bearing

Type	Length
------	--------

WS-10-4000

Guide rail	Shafts Ø	Rail length [mm]
------------	----------	------------------

Type	Size	Options
------	------	---------

WJ200UM-01-10-LL

drylin® W	iglidur® bearing material	Housing bearing, round	Standard	Size	Floating bearing
-----------	---------------------------	------------------------	----------	------	------------------

Options:

LL: Floating bearing

AL: Housing bearing made from aluminium



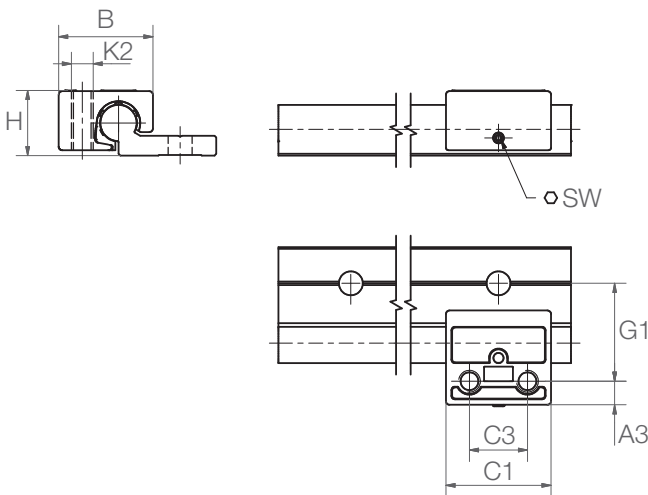
Order key



Type	Size	Option
------	------	--------

**WJ200UM-01-16-P40**

drylin® W	Liner iglidur® J200	Housing bearing, round	Standard	Size	Preload
-----------	------------------------	------------------------	----------	------	---------



### Technical data and dimensions [mm]

Part No.	Weight	Camber	Dimensions as Part No.
	[g]	[N]	
WJUM-01-10-P40	43	4.0	WJUME-01-10
WJUM-01-10-P90	43	9.0	WJUME-01-10
WJUM-01-10-P140	43	14.0	WJUME-01-10
WJ200UM-01-16-P40	110	4.0	WJ200UME-01-16
WJ200UM-01-16-P90	110	9.0	WJ200UME-01-16
WJ200UM-01-16-P140	110	14.0	WJ200UME-01-16
WJ200UM-01-16-P230	110	23.0	WJ200UME-01-16
WJ200UM-01-20-P40	222	4.0	WJ200UME-01-20
WJ200UM-01-20-P90	222	9.0	WJ200UME-01-20
WJ200UM-01-20-P140	222	14.0	WJ200UME-01-20
WJ200UM-01-16-P230	222	23.0	WJ200UME-01-20

Can be combined with:



Suitable liner materials:

