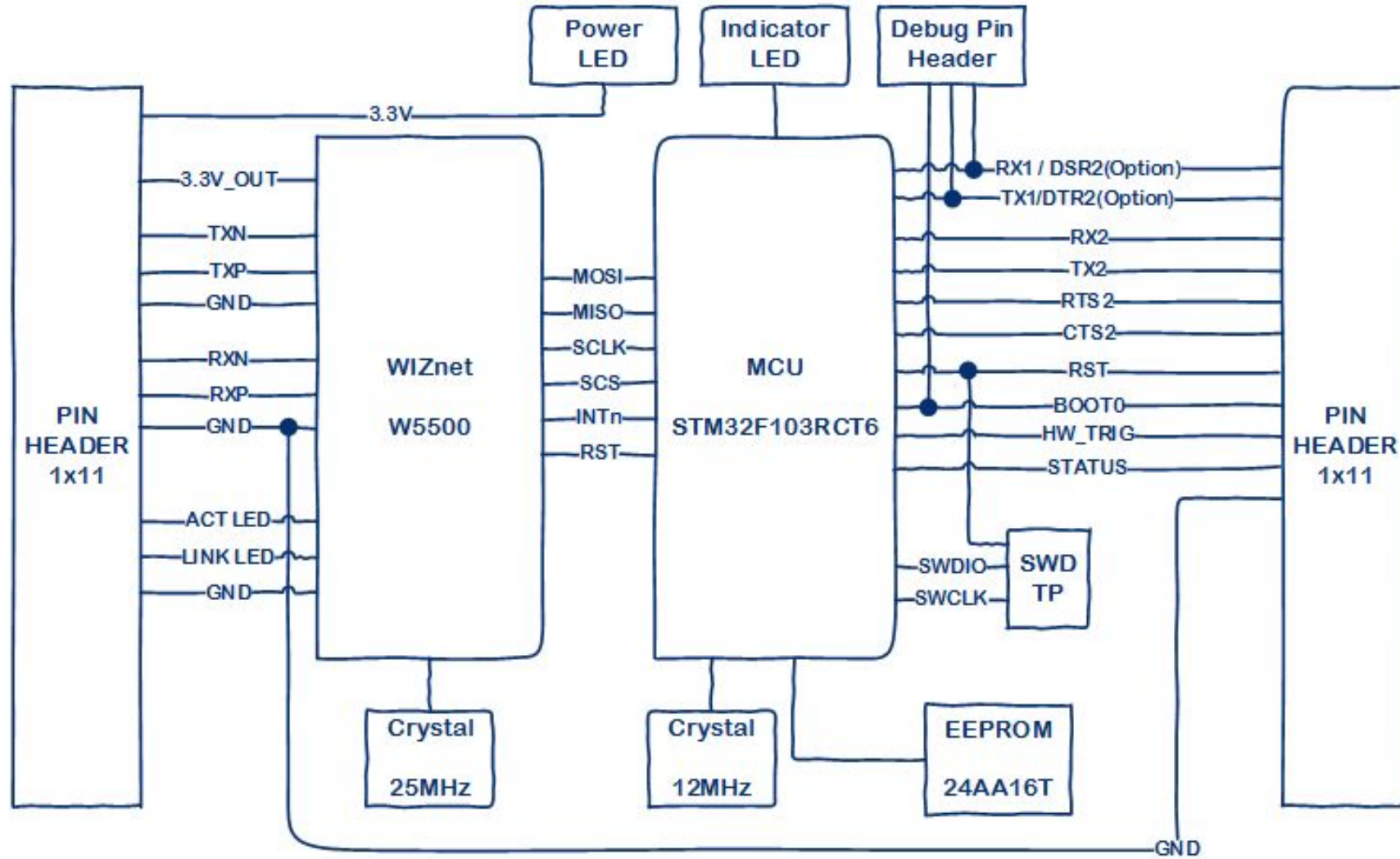
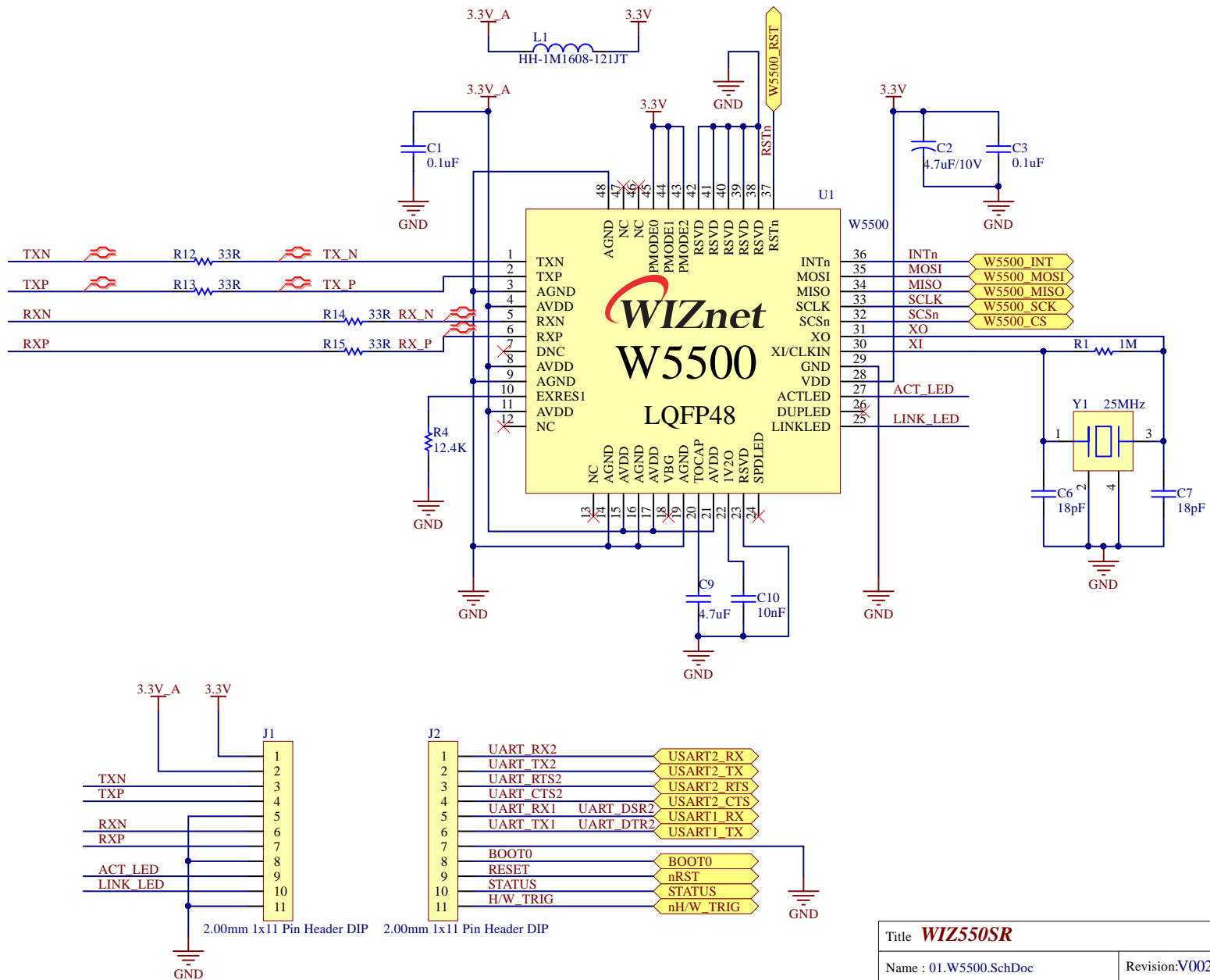


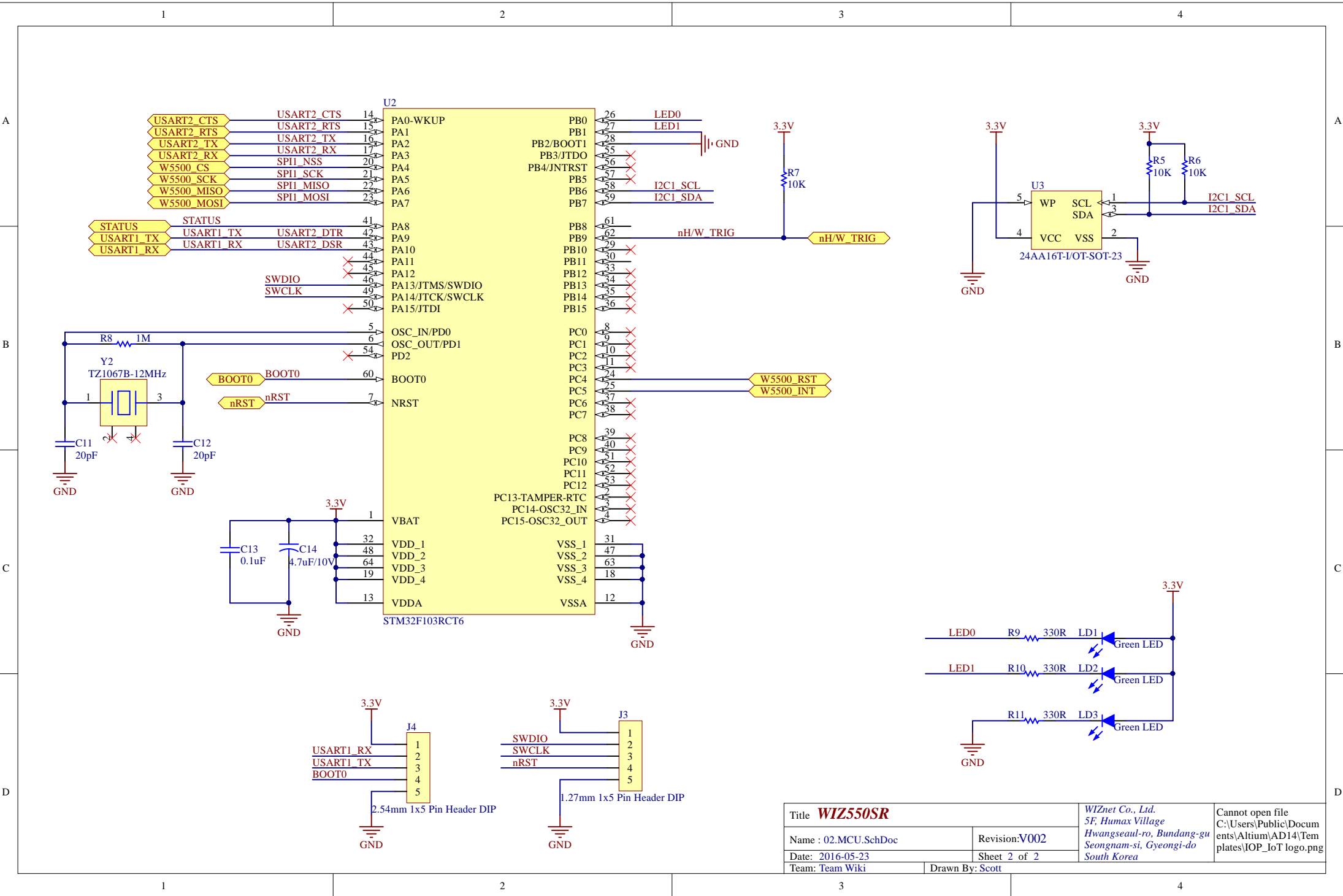
WIZ550SR Block Diagram



Title WIZ550SR		WIZnet Co., Ltd. 5F, Humax Village Hwangseaul-ro, Bundang-gu Seongnam-si, Gyeonggi-do South Korea	Cannot open file C:\Users\Public\Documents\Altium\AD14\Templates\IOP_IoT logo.png
Name : 00.Block Diagram.SchDoc	Revision:V1.0		
Date: 2016-05-23	Sheet 0 of 2		
Team: Team Wiki	Drawn By: Scott		



Title WIZ550SR		WIZnet Co., Ltd. 5F, Humax Village Hwangseaul-ro, Bundang-gu Seongnam-si, Gyeonggi-do South Korea	Cannot open file C:\Users\Public\Docum ents\Altium\AD14\Tem plates\IOP_IoT logo.png
Name : 01.W5500.SchDoc	Revision:V002		
Date: 2016-05-23	Sheet 1 of 2		
Team: Team Wiki	Drawn By: Scott		



Title WIZ550SR		WIZnet Co., Ltd. 5F, Humax Village Hwangseaul-ro, Bundang-gu Seongnam-si, Gyeonggi-do South Korea	Cannot open file C:\Users\Public\Documents\Altium\AD14\Templates\IOP_IoT logo.png
Name : 02.MCU.SchDoc	Revision:V002		
Date: 2016-05-23	Sheet 2 of 2		
Team: Team Wiki	Drawn By: Scott		