

# Table of Contents

- WIZ550S2E Datasheet ..... 1
- Overview ..... 1
- Hardware Specification ..... 1
- WIZ550S2E ..... 1
- WIZ550S2E-232 Interface board ..... 3
- WIZ550S2E-485/422 Interface board ..... 3
- Characteristic ..... 4
- Schematic ..... 5
- Dimension ..... 5
- WIZ550S2E ..... 5
- WIZ550S2E-232 Interface board ..... 6
- WIZ550S2E-485/422 Interface board ..... 7



# WIZ550S2E Datasheet

## Overview

This page provides information about the hardware description of WIZ550S2E base on RS232 & RS422/485 Interface board as following:

- Basic Hardware Specification
- Operating Characteristics
- Reference Schematics
- Dimension information

The revision history will be updated in this page in case of any changes of hardware specification or exterior design.

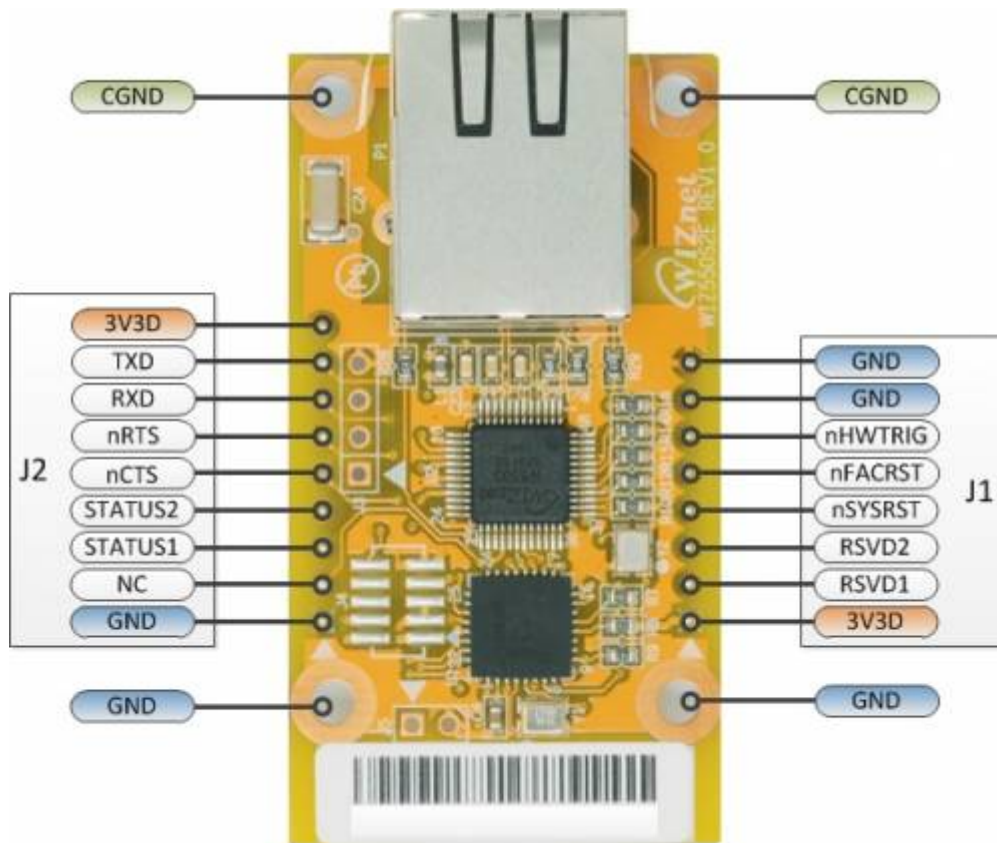
---

2014/07/29 08:57 · [jameskim](#)

## Hardware Specification

### WIZ550S2E

- MCU LPC11E36FHN33
- TCP/IP Controller W5500
- RJ45(Integrated Transformer)
- 2.54mm Header x2



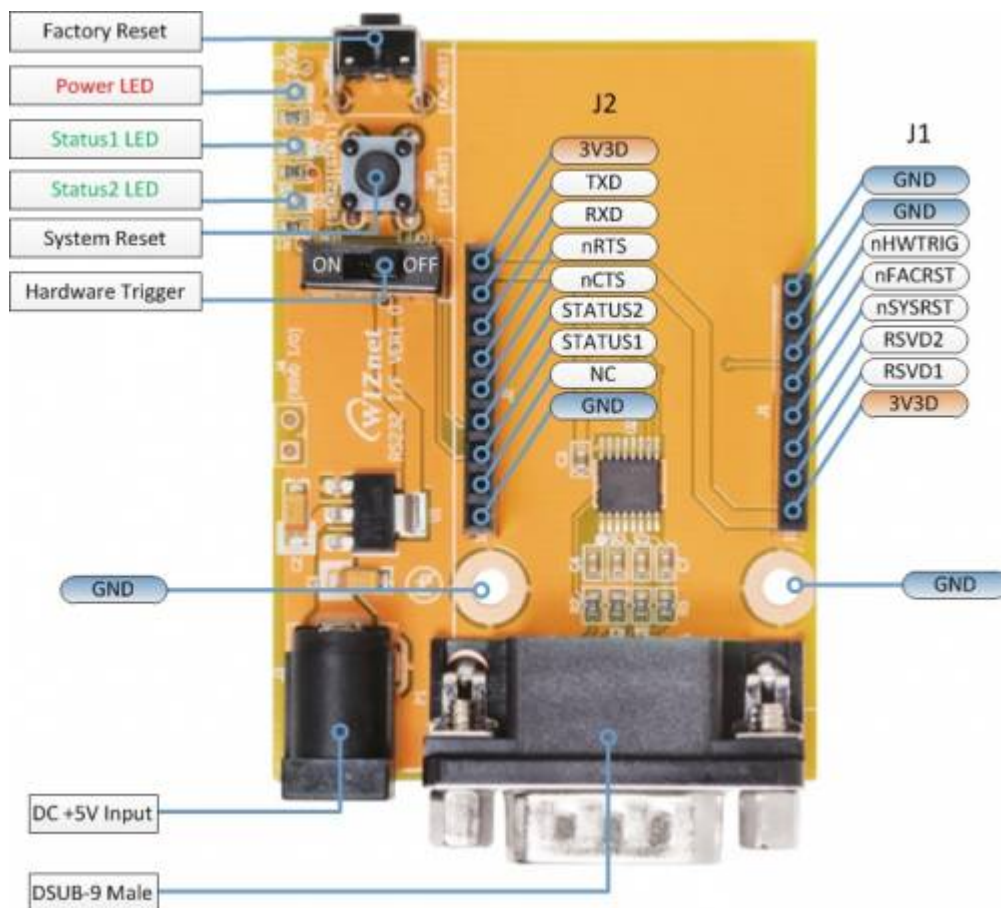
### Pin Description

Ref No.	Pin No.	Symbol	Type	Description
J1	1	3V3D	P	Supply DC+3.3V
	2	RSVD1	I/O	Reserved I/O
	3	RSVD2	I/O	Reserved I/O
	4	nSYSRST	I	System reset input. Active Low.
	5	nFACRST	I	Factory reset input. Active Low.
	6	nHWTRIG	I	Hardware Trigger input Active Low.
	7	GND	P	Power Ground
	8	GND	P	Power Ground

Ref No.	Pin No.	Symbol	Type	Description
J2	1	GND	P	Power Ground
	2	NC	-	No connection
	3	STATUS1	O	Output for LED Display
	4	STATUS2	O	Output for LED Display
	5	nCTS	I	Clear To Send input for UART
	6	nRTS	O	Request To Send output for UART. This pin also serves as the RS485 control.
	7	RXD	I	Receiver input for UART
	8	TXD	O	Transmitter output for UART
	9	3V3D	P	Supply DC+3.3V

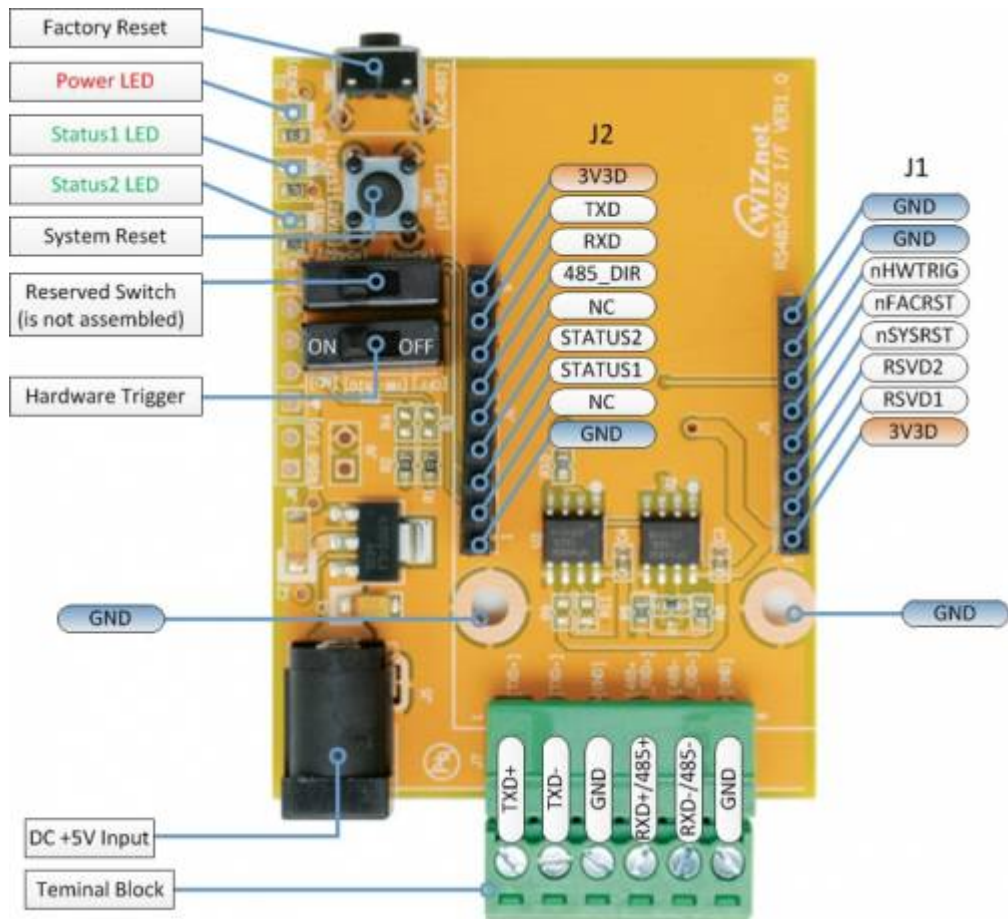
## WIZ550S2E-232 Interface board

- Line Driver SP3232EBEY
- System Reset Switch
- Factory Reset Switch
- Hardware-Trigger Mode Switch
- Status LEDs
- DC-Jack (for +5V Input Power)



## WIZ550S2E-485/422 Interface board

- Line Driver SP3485EN
- System Reset Switch
- Factory Reset Switch
- Hardware-Trigger Mode Switch
- Status LEDs
- DC-Jack (for +5V Input Power)



2014/07/29 09:01 · [jameskim](#)

## Characteristic

**WIZ550S2E**

<b>Input Power</b>	DC +3.3V
<b>Current Consumption</b>	140mA(Typ.)
<b>Operating Temperature</b>	-40 ~ 85 °C

**WIZ550S2E-232-EVB**

<b>Input Power</b>	DC +5V (Plug type: Outdiameter 5.5Pi - Caliber 2.1Pi)
<b>Current Consumption(connected with WIZ550S2E)</b>	154mA(Max.)
<b>Operating Temperature</b>	-40 ~ 85 °C

**WIZ550S2E-485/422-EVB**

<b>Input Power</b>	DC +5V (Plug type: Outdiameter 5.5Pi - Caliber 2.1Pi)
<b>Current Consumption(connected with WIZ550S2E)</b>	179mA(Max.)@RS422Mode, 157mA(Max.)@RS485Mode
<b>Operating Temperature</b>	-40 ~ 85 °C

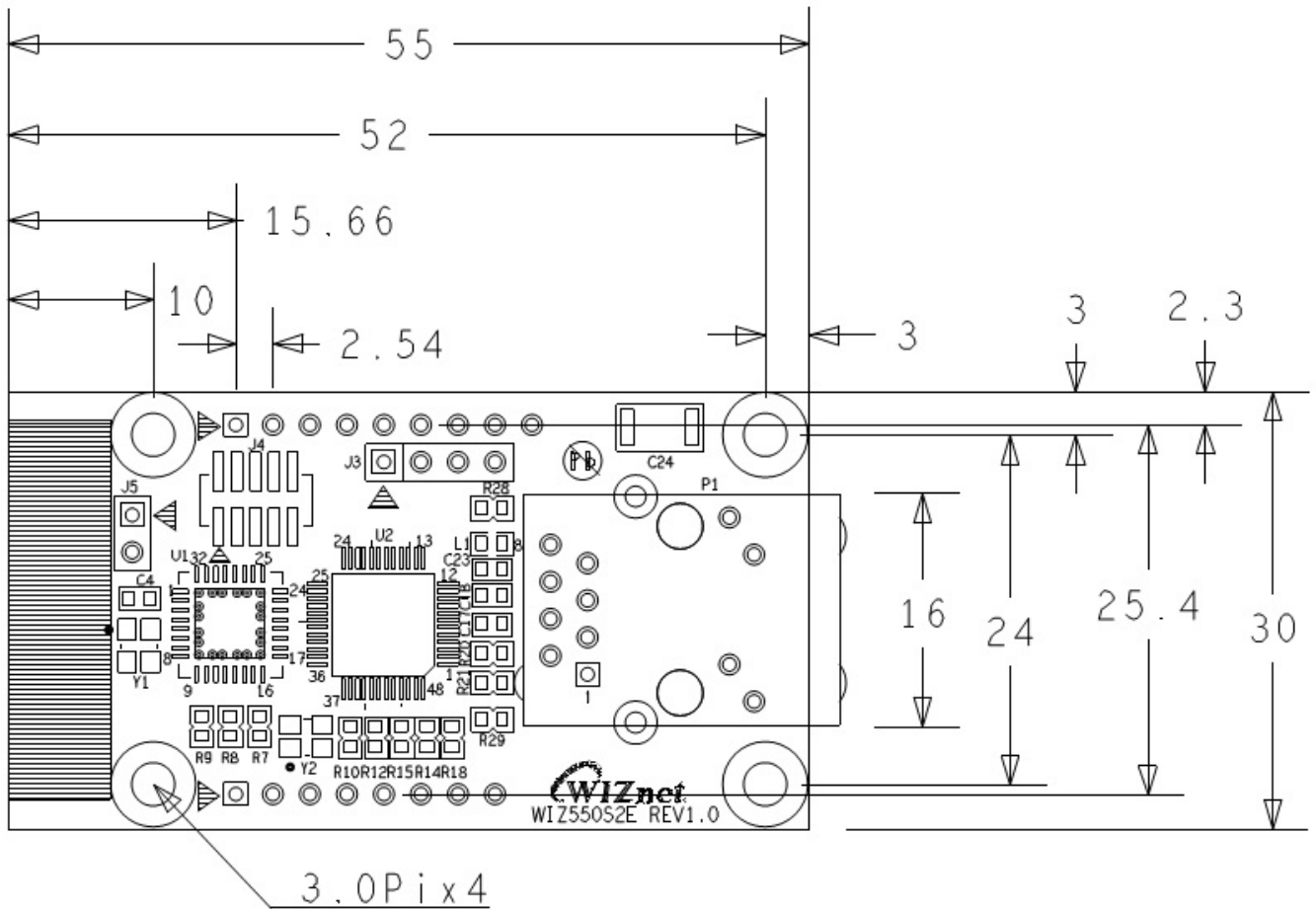
2014/07/29 16:39 · [sam](#)**Schematic**

List	Version	Schematic
WIZ550S2E	1.0	<a href="#">wiz550s2e_v1_0.pdf</a>
WIZ550S2E-232 Interface board	1.0	<a href="#">rs232if_v1_0.pdf</a>
WIZ550S2E-485/422 Interface board	1.0	<a href="#">rs485-422if_v1_0.pdf</a>

2014/07/29 09:03 · [jameskim](#)**Dimension**

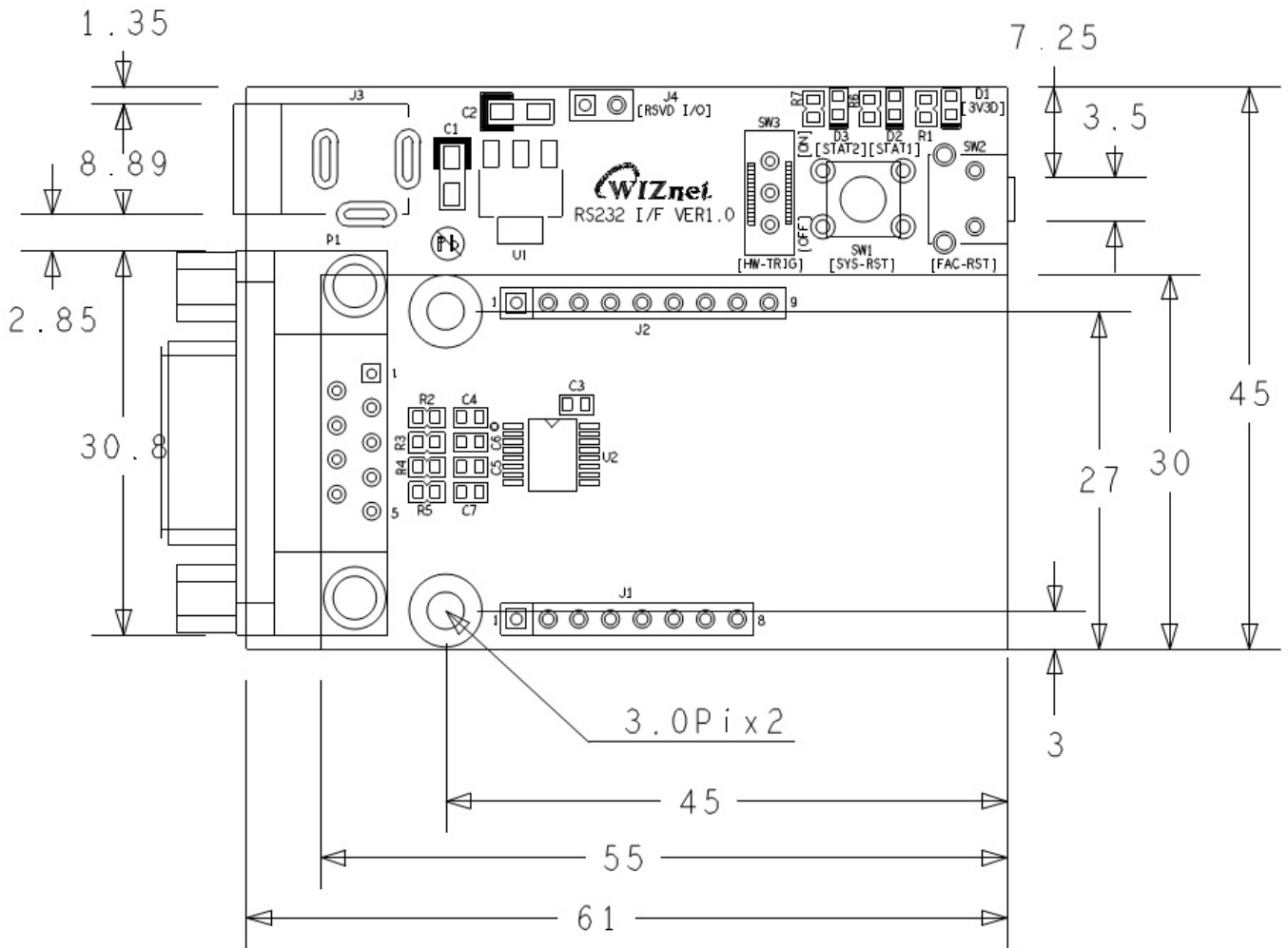
(Unit: mm)

**WIZ550S2E**

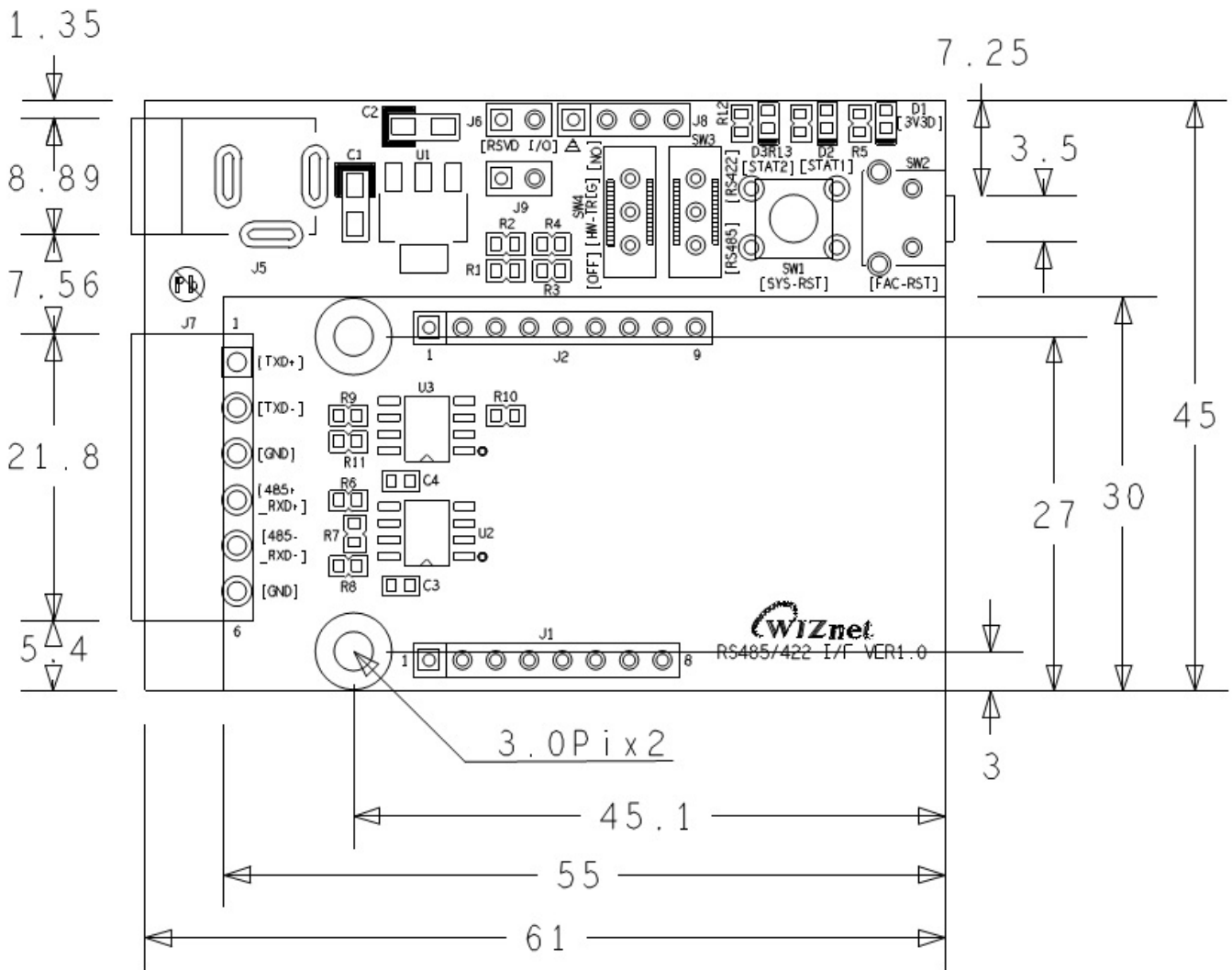


## WIZ550S2E-232 Interface board





**WIZ550S2E-485/422 Interface board**



2014/07/29 09:05 · jameskim

From: <http://wizwiki.net/wiki/> - Document wiki site

Permanent link: [http://wizwiki.net/wiki/doku.php?id=products:wiz550s2e:wiz550s2eds\\_en](http://wizwiki.net/wiki/doku.php?id=products:wiz550s2e:wiz550s2eds_en)

Last update: 2015/03/23 10:03

