

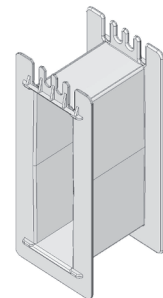
Information Standard Bobbins

New stack heights and designs

Our standard range has been extended and for several types there are additional designs. Further we set up a range of bobbins for cut cores.

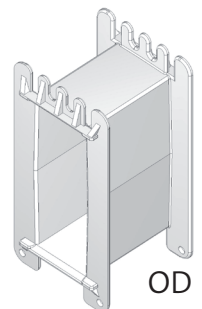
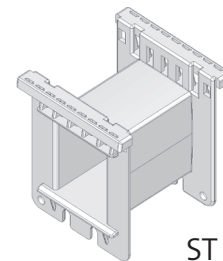
Bobbin for E 65 ferrite cores

Type	Wz	Art. No	
E 65/55/1 OD	Wz 7997/1OD	3834	double stack height
E 65/82,5/1 OD	Wz 7982/1OD	3827	triple stack height
E 65/110/1 OD	Wz 8000/1OD	3842	quadruple stack height



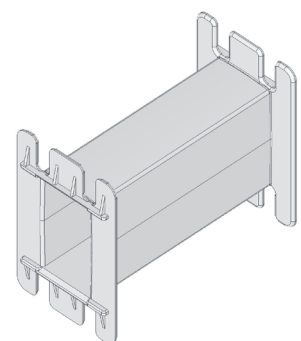
Bobbin for E 70 ferrite core

Type	Wz	Art. No	
E 70/32,7/1ST	Wz 7963/1ST	3759	single stack height
E 70/65,4/1OD	Wz 7998/1OD	3838	double stack height



Bobbin for cut cores

Type	Wz	Art. No	
AC 125/37/1OD	Wz 7994/1OD	3832	single stack height



Standardmaterial: polyamide 6 class B (130°C)