



**SERIES W59M
- PUSHBUTTON SWITCHES**

Series W59M

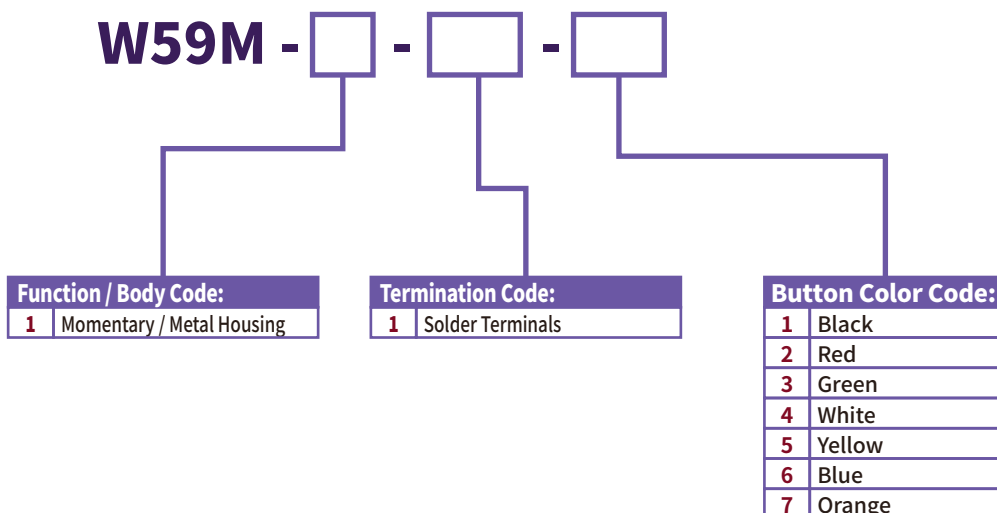
KEY FEATURES

- Size: 12mm
- IP67 water proof
- Momentary action
- Operation temperature: -55 ~ 125°C
- Impact resistant
- Bezel: Zinc Alloy with coating
- Gold contacts
- 500,000 life cycles @max power

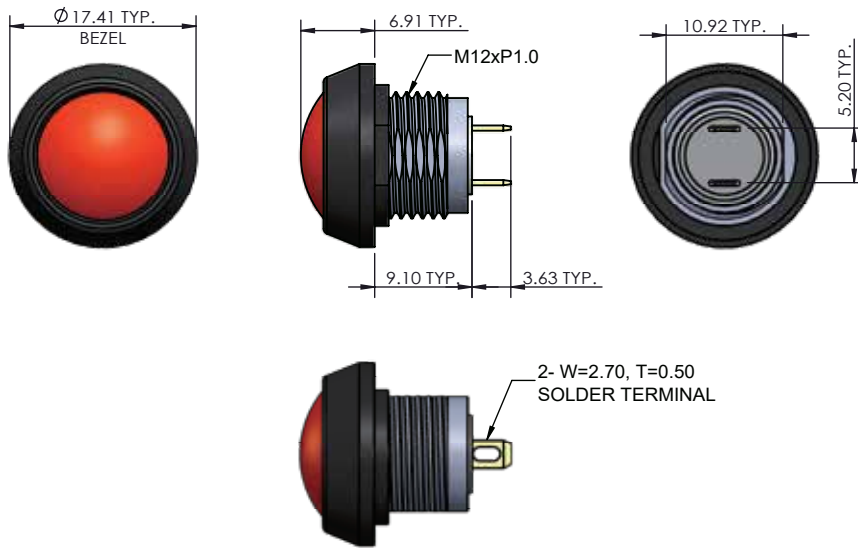
APPLICATIONS

- Communications
- Instrumentation
- Data processing
- Process controls
- Transportation/Material handling

ORDERING INFORMATION



SERIES W59M - PUSHBUTTON SWITCHES



RECOMMENDED PANEL CUT-OUT	
PANEL THICKNESS	0.06~0.12" [1.5~3.0 mm]
NUT TORQUE FORCE	Max. 5.2 lb-in [6 kgf-cm]

MECHANICAL CHARACTERISTICS

- **Switch Circuitry:** SPST-NO-DB
- **Switch Action:** Momentary
- **Operating Force:** 306g [3N] Nominal
- **Button Travel:** 2.3mm [.09] Nominal
- **Contacts:** Gold Plated
- **Mechanical Life:** 1,000k Cycles

ENVIROMENTAL SPECIFICATIONS

- **Operating Temperature:** -55°C to +125°C (-67°F to +257°F)
- **Water Proof:** Case IP67

ELECTRICAL SPECIFICATIONS

- **Current Rating :** 400mA@32VAC, 500k Cycles Nominal
125mA@125VAC, 500k Cycles Nominal
100mA@50VDC, 500k Cycles Nominal
- **Dielectric Strength:** 1,000VAC
- **Insulation Resistance:** 1G Ω
- **Contacts Resistance:** 50m Ω Max Initial