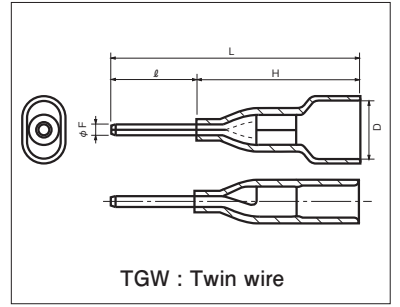
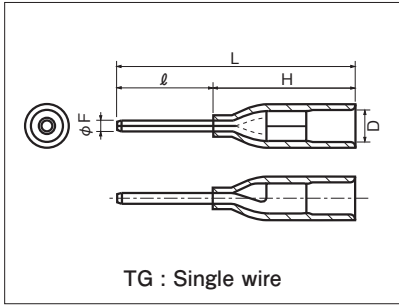


INSULATED PIN TERMINALS (TC TYPE) TGV TMEV : Vinyl

■ TGT Pin is in line with the center of the barrel.

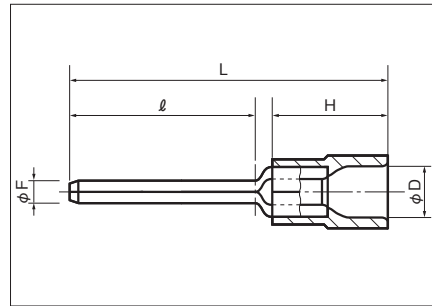


RoHS
See page 2

Rated voltage 300V Rated current 17A

PART NUMBER	DIMENSIONS mm					WIRE RANGE		TOOL No.	MATERIAL OF INS.	COLOR	STD QTY/BOX				
	φF	ℓ	L	H	φD	STRANDED mm ²	AWG								
TGV TC-1.25-9T	1.1	9.0	25.0	16.0	φ3.6	0.3~1.65	22-16	(NH 11/NH 32) NH 65 AIR TOOL BODY : NA3 DIES : N3 11T	Vinyl	RED TRANSLUCENT	100				
TGV TC-1.25-11T		11.0	27.0								100				
TGWV TC-1.25-9T		9.0	26.6	17.6							6.6	NH 66	Vinyl	RED TRANSLUCENT	100
TGWV TC-1.25-11T		11.0	28.6												100

■ TME (PIN)



RoHS
See page 2

PART NUMBER	DIMENSIONS mm					WIRE RANGE		TOOL No.		STD QTY/BOX
	φF	ℓ	L	H	φD	STRANDED mm ²	AWG	HAND TOOL No.		
								TOOL BODY No.	DIES No.	
TMEV TC-0.3-9.5 ○	1.0	9.5	20.8	10.0	2.8	0.2-0.5 0.3-0.5 UL·CSA USE	24-20 22-20 UL·CSA USE	NH 5 NH 32 NH 60 NA 10 NA 3	N10 10 N3 5	1,000 (100×10)
TMEV TC-1.25-11 ○ TC-1.25-11S ○ TC-1.25-16 ○ TC-1.25-16S ○ TC-1.25-20 ○ TC-1.25-20S ○	1.9 1.5 1.9 1.5 1.9 1.5	11.0 16.0 20.0	23.0 27.5 31.5	10.0	4.1	0.3~1.65	22-16	NH 11 NH 32 NA 10 NA 3	N10 11 N3 11	1,000 (100×10)
TMEV TC-2-11 ○ TC-2-11S ○ TC-2-16 ○ TC-2-16S ○ TC-2-20 ○ TC-2-20S ○	1.9 1.5 1.9 1.5 1.9 1.5	11.0 16.0 20.0	23.0 27.5 31.5	10.0	4.5	1.04 2.63	16-14	NH 12 NH 32 NA 10 NA 3	N10 12 N3 12	1,000 (100×10)
TMEV TC-3.5-11S ○	1.9	11.0	29.0	14.0	6.3	2.63 4.6	12	NH 13 NA 10 NA 3	N10 13 N3 13	100
TMEV TC-5.5-11 ○	2.7	11.0	28.5	14.0	6.8	2.63 6.64	12-10	NH 13 NA 10 NA 3	N10 13 N3 13	100

NOTE 1) ○ : UL/CSA △ : UL INSULATOR MATERIAL

- Please refer to page 33 for UL/CSA, insulator material/color, proper strip length of wire and Nylon insulated products.
- Transparents and colored insulators are available for TMEV(Vinyl).