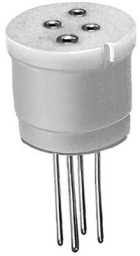




Data sheet Product TF 184



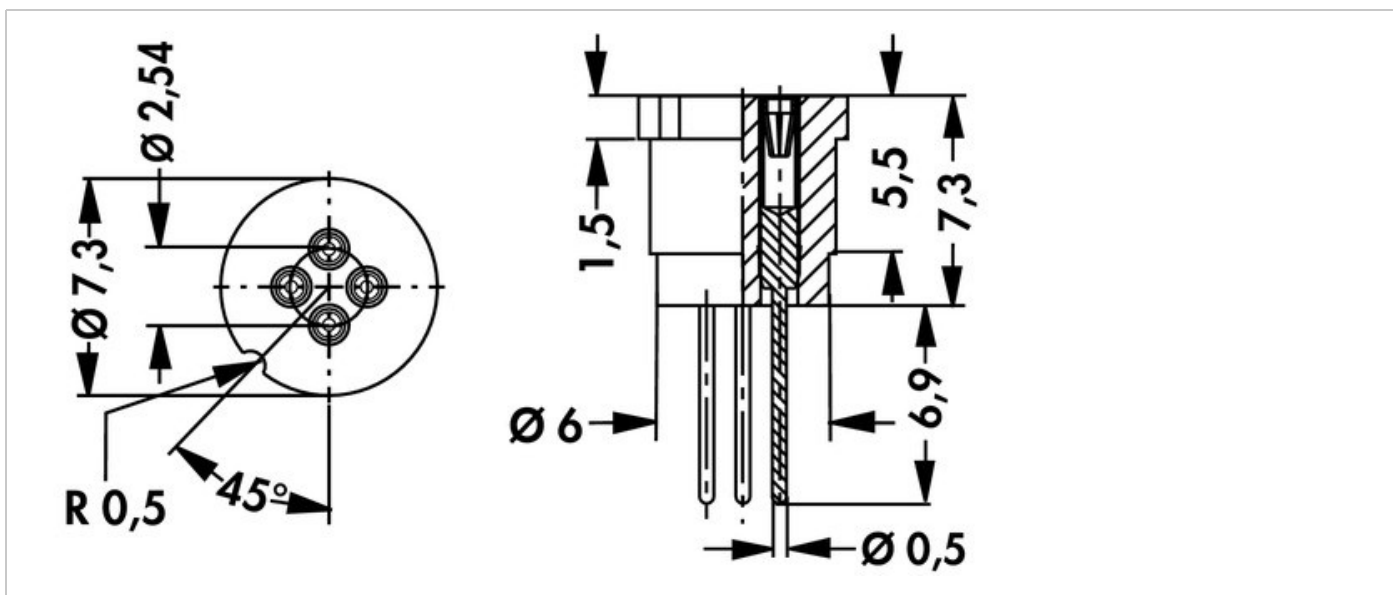
Sockets>Sockets for TO ... cases
Transistor sockets - teflon sockets for TO 18

Features

contact material:	CuZn-alloy
contact spring:	gold-plated
surface contact / contact sleeve:	Ni+≥0.2µm Au
inner contact spring material:	CuBe-alloy
no. of contacts:	4
inner contact spring surface:	Ni+0,75µm Au
plugability for circuit points:	<ul style="list-style-type: none"> • 0,22x0,25mm... 0,4x0,55mm • Ø0,4...0,56mm
insert depth:	2.5...3.6mm
insertion / drawing force:	<ul style="list-style-type: none"> • 1.8 N/1.4 N • 4 lamellas contact
shock resistance:	50 g
vibration resistance max.:	15 g
volume resistance:	10 mΩ
contact resistance:	4 mΩ
contact resistance after 1000 cycles:	7 mΩ
nominal current:	1.5 A
nominal voltage:	100 V DC
test voltage:	1000 V
insulating body material:	PTFE

temperature range:	-200°C ... +260°C
class of inflammability:	UL 94 V-0
version:	for TO 18
for cases:	teflon
contact type:	precision contacts
specific insulation resistance:	>10¹⁴ Ω·m
contact sleeve:	gold-plated

Technical Drawing



Fischer Elektronik GmbH & Co. KG
DEUTSCHLAND • GERMANY • ALLEMAGNE

Nottebohmstraße 28
58511 Lüdenscheid

Telefon +49 2351 435-0
Telefax +49 2351 45754

info@fischerelektronik.de
www.fischerelektronik.de