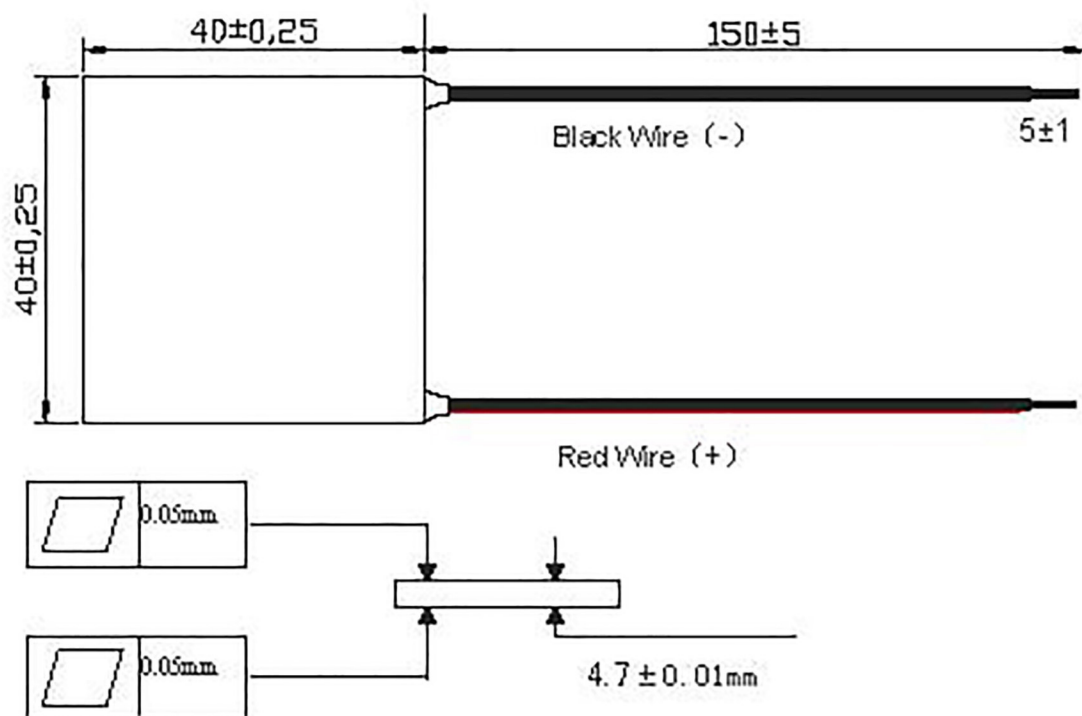


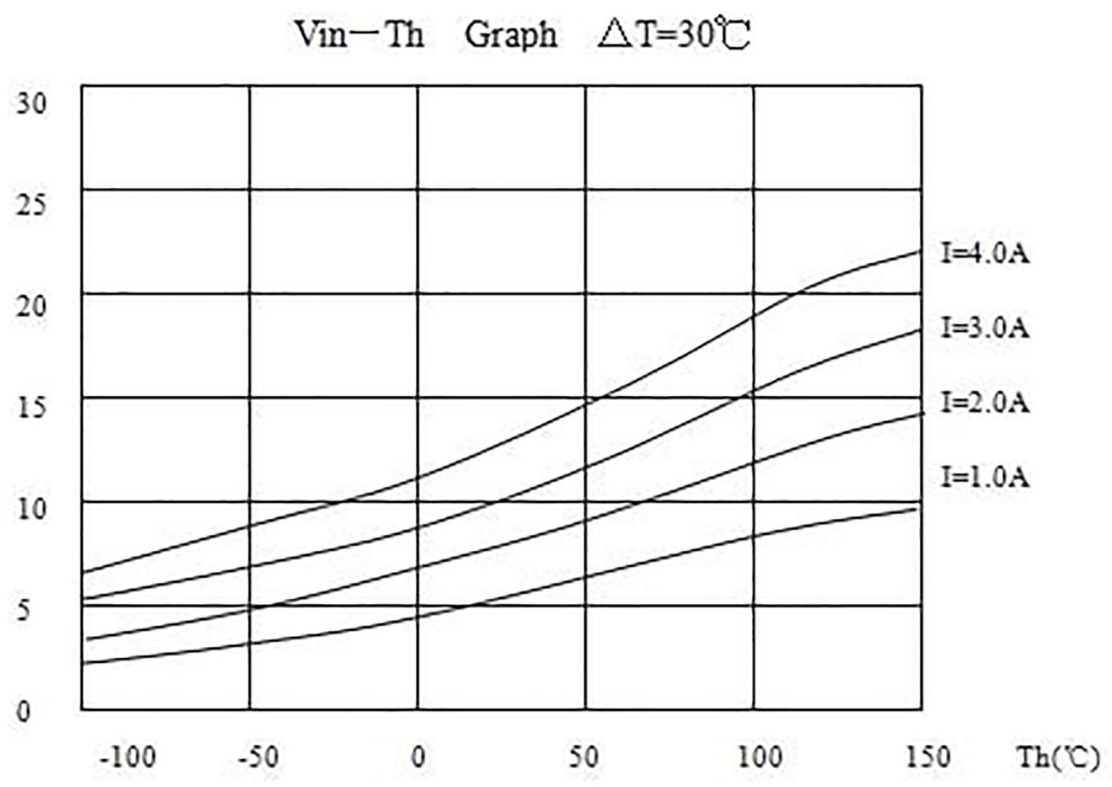
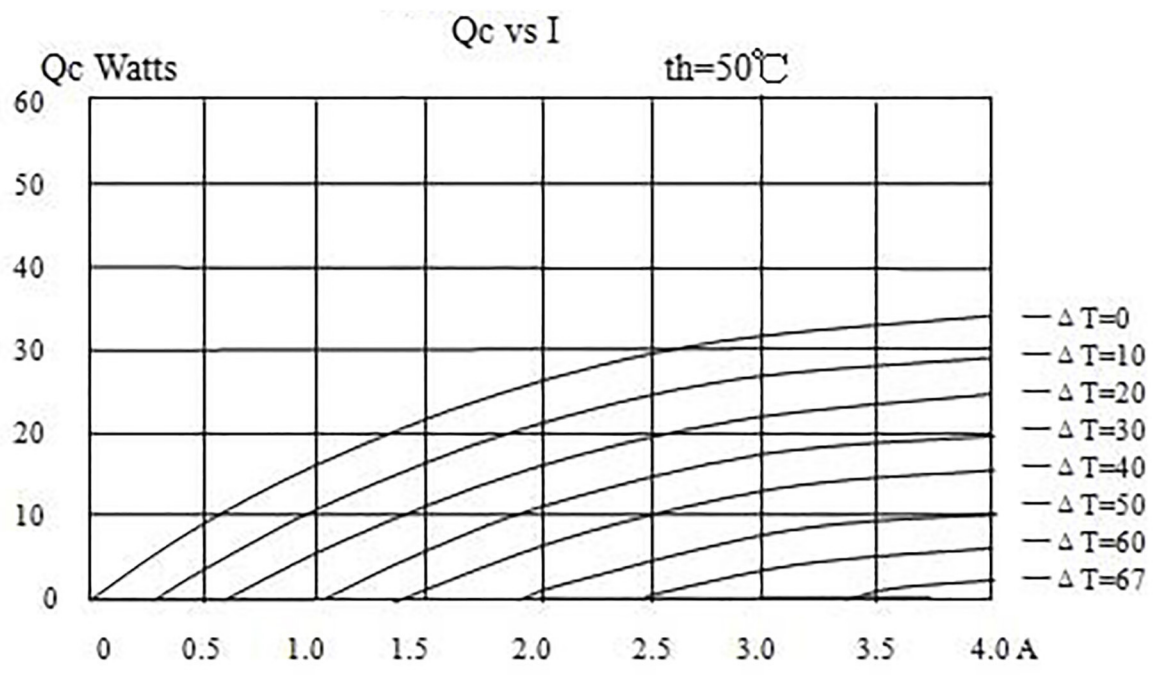
## Specification

Item Number	PM-40X40-33.4
Device Outline	See picture below
Heat-shrink tube on the end of wire	Not available
Wire Criteria	1.20AWG UL 1674, PVC insulated 2.Standard 105°C tinned copper wire 3.General length:150±5mm 4.Length of tinning without outer sphere on the end of wire:5±1.0mm
Resistance(ohms)	Environment Temperature 20°C, 1KHZ, 2.85-3.15 (ohms)
Packing	Foam box, each box 50pcs
Printing	See picture below

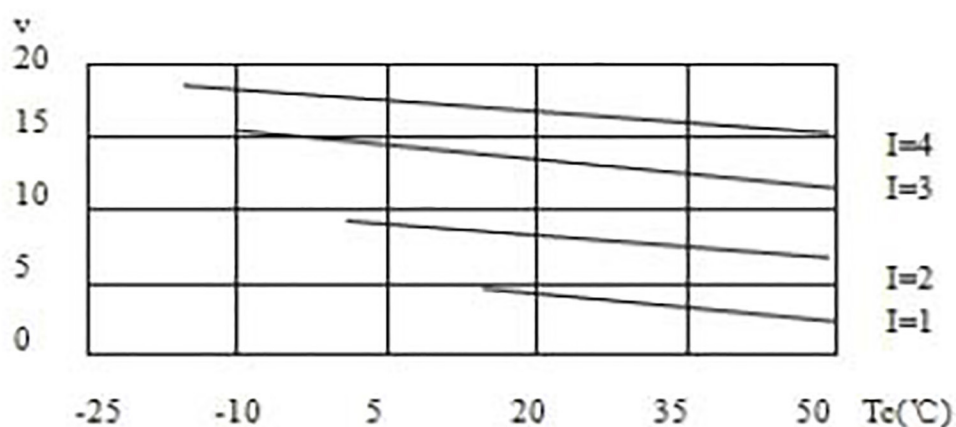


### Other Requirement:

- 1.Working Temperature:  $-55^{\circ}\text{C}$  to  $+80^{\circ}\text{C}$
- 2.Assembled overwhelm force: 60lb/Sq.In.
- 3.P/N Couples:127 couples
- 4.I<sub>max</sub>  $4.0 \pm 0.5$ A (15.4VCD)
- 5.V<sub>max</sub> 15.4 VDC
- 6.Q<sub>max</sub>:33.4W (15.4VDO)
- 7.Resistance range:AC-R 2.85-3.15  $\Omega$  (Surrounding Temperature  $20^{\circ}\text{C}$  1KHZ)
8. $\Delta T$ <sub>max</sub>: $\geq 66^{\circ}\text{C}$
- 9.Wire should be soldered on the hot side
- 10.20AWG UL 1674, PVC insulated, Standard 105°C tinned copper wire
- 11.Resistance will be changed according to environment, environment temperature increase or decrease  $1^{\circ}\text{C}$  crease or decrease 0.015



$V_{in} - I - TC$  Graph  $T_h = 50^\circ C$



$Q_c - I - DT$  Graph  $T_h = 50^\circ C$

