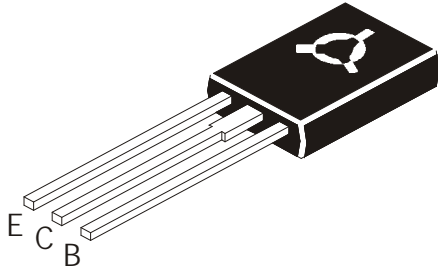


PNP PLASTIC POWER DARLINGTON TRANSISTORS

**BD676, BD676A
BD678, BD678A
BD680, BD680A
BD682, BD684**



**TO126
Plastic Package**

Complementary BD675, 675A, 677, 677A, 679, 679A, 681 & 683

ABSOLUTE MAXIMUM RATINGS

DESCRIPTION	SYMBOL	BD676 BD676A	678 678A	680 680A	682	684	UNITS
Collector Base Voltage	V_{CBO}	45	60	80	100	120	V
Collector Emitter Voltage	V_{CEO}	45	60	80	100	120	V
Emitter Base Voltage	V_{EBO}	5.0					V
Collector Current	I_C	4.0					A
Base Current	I_B	0.1					A
Total Power Dissipation @ $T_a=25^\circ\text{C}$	P_D	1.25					W
Derate above 25°C		10					mW/ $^\circ\text{C}$
Total Power Dissipation @ $T_c=25^\circ\text{C}$	P_D	40					W
Derate above 25°C		0.32					W / $^\circ\text{C}$
Operating & Storage Junction Temperature Range	T_j, T_{stg}	- 55 to + 150					$^\circ\text{C}$

THERMAL RESISTANCE

From Junction to case	$R_{th(j-c)}$	3.13	$^\circ\text{C/W}$
Junction to Ambient in free air	$R_{th(j-a)}$	100	$^\circ\text{C/W}$

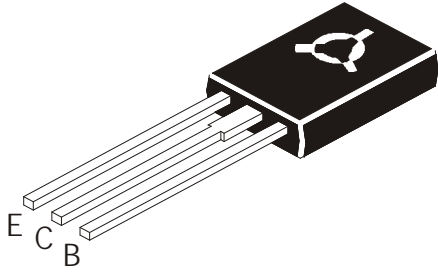
ELECTRICAL CHARACTERISTICS ($T_c=25^\circ\text{C}$ unless specified otherwise)

DESCRIPTION	SYMBOL	TEST CONDITION	MIN	MAX	UNITS
Collector Emitter Voltage	V_{CEO}^*	$I_C=50\text{mA}, I_B=0$ BD676/BD676A BD678/BD678A BD680/BD680A BD682 BD684	45 60 80 100 120		V
Collector-Cut Off Current	I_{CEO} I_{CBO} I_{CBO}	$V_{CE}=\text{half rated } V_{CEO}, I_B=0$ $V_{CB}=\text{rated } V_{CBO}, I_E=0$ $V_{CB}=\text{rated } V_{CBO}, I_E=0$ $T_C=100^\circ\text{C}$		500 0.2 2.0	μA mA
Emitter cut Off Current	I_{EBO}	$V_{EB}=5\text{V}, I_C=0$		2.0	mA

PNP PLASTIC POWER DARLINGTON TRANSISTORS

BD676, BD676A
 BD678, BD678A
 BD680, BD680A
 BD682, BD684

TO126
 Plastic Package



ELECTRICAL CHARACTERISTICS (Tc=25°C unless specified otherwise)

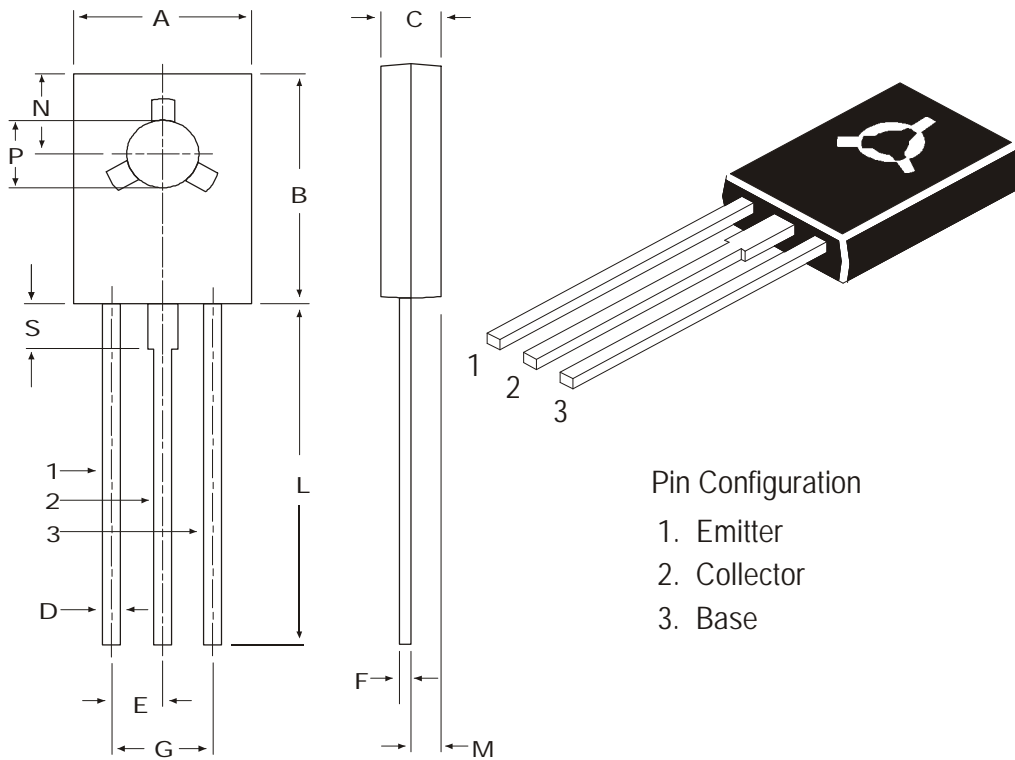
DESCRIPTION	SYMBOL	TEST CONDITION	MIN	MAX	UNITS
Collector Emitter Saturation voltage	NON A	$V_{CE(sat)}$ * $I_C=1.5A, I_B=6mA$		2.5	V
	A				
Base Emitter On Voltage	NON A	$V_{BE(on)}$ * $I_C=1.5A, V_{CE}=3V$		2.5	V
	A				
DC Current Gain	NON A	h_{FE} * $I_C=1.5A, V_{CE}=3V$	750		
	A				
Small signal Current Gain		$ h_{fe} $ $I_C=1.5A, V_{CE}=3V$ $f=1MHz$	1.0		

Pulse test: Pulse Width $\leq 300\mu s$; Duty cycle $\leq 2\%$.

**BD676, BD676A
BD678, BD678A
BD680, BD680A
BD682, BD684**

**TO126
Plastic Package**

TO-126 (SOT-32) Plastic Package



Pin Configuration

- 1. Emitter
- 2. Collector
- 3. Base

DIM	MIN	MAX
A	7.4	7.8
B	10.5	10.8
C	2.4	2.7
D	0.7	0.9
E	2.25 TYP.	
F	0.49	0.75
G	4.5 TYP.	
L	15.7 TYP.	
M	1.27 TYP.	
N	3.75 TYP.	
P	3.0	3.2
S	2.5 TYP.	

All dimensions in mm.

Packing Detail

PACKAGE	STANDARD PACK		INNER CARTON BOX		OUTER CARTON BOX		
	Details	Net Weight/Qty	Size	Qty	Size	Qty	Gr Wt
TO-126 Bulk	500 pcs/polybag	340 gm/500 pcs	3" x 7.5" x 7.5"	2K	17" x 15" x 13.5"	32K	31 kgs
TO-126 Tube	50 pcs/tube	73 gm/50 pcs	3" x 3.7" x 21.5"	1K	19" x 19" x 19"	10K	15 kgs

Disclaimer

The product information and the selection guides facilitate selection of the CDIL's Discrete Semiconductor Device(s) best suited for application in your product(s) as per your requirement. It is recommended that you completely review our Data Sheet(s) so as to confirm that the Device(s) meet functionality parameters for your application. The information furnished in the Data Sheet and on the CDIL Web Site/CD is believed to be accurate and reliable. CDIL however, does not assume responsibility for inaccuracies or incomplete information. Furthermore, CDIL does not assume liability whatsoever, arising out of the application or use of any CDIL product; neither does it convey any license under its patent rights nor rights of others. These products are not designed for use in life saving/support appliances or systems. CDIL customers selling these products (either as individual Discrete Semiconductor Devices or incorporated in their end products), in any life saving/support appliances or systems or applications do so at their own risk and CDIL will not be responsible for any damages resulting from such sale(s).

CDIL strives for continuous improvement and reserves the right to change the specifications of its products without prior notice.



CDIL is a registered Trademark of
Continental Device India Limited

C-120 Naraina Industrial Area, New Delhi 110 028, India.
Telephone + 91-11-2579 6150, 5141 1112 Fax + 91-11-2579 5290, 5141 1119
email@cdil.com www.cdilsemi.com