



Thyristors type T95 are of modern design with pressure contacts, high alumina ceramic insulator and cold-welding encapsulation. Designed for use in power electronic circuits and equipment under normal operating conditions.

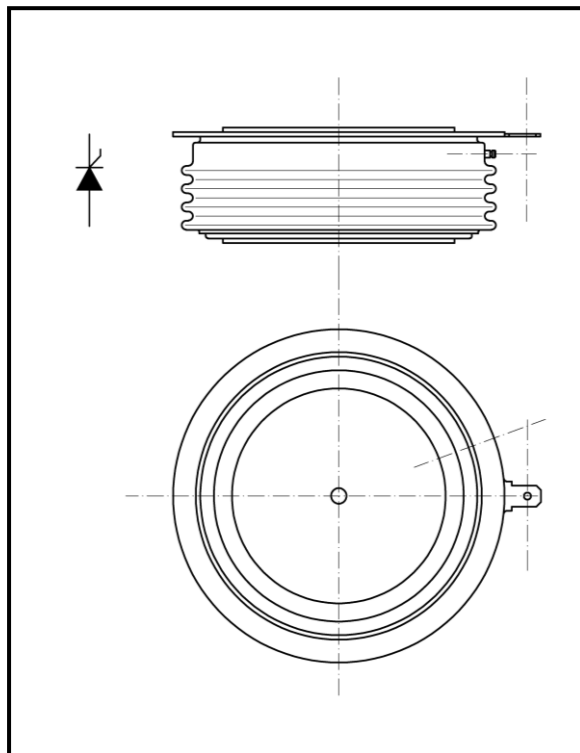
### KEY PARAMETERS

|                    |                                 |
|--------------------|---------------------------------|
| $U_{DRM}, U_{RRM}$ | <b>up to 2400 V</b>             |
| $I_{T(AV)}$        | <b>1400 A</b>                   |
| $I_{TSM}$          | <b>24000 A</b>                  |
| $du/dt^*$          | <b>1000 V/<math>\mu</math>s</b> |
| $di/dt$            | <b>200 A/<math>\mu</math>s</b>  |

\* maximum (non standard) value

### FEATURES

- all diffused design
- high current capabilities
- high surge current capabilities
- high rates voltages
- high  $du/dt$
- low gate current
- dynamic gate
- low thermal impedance
- tested according to IEC standards
- compact size and small weight



### APPLICATION

- High Power Drives
- DC Motor Control
- High Voltage Power Supplies

**Outline type code : A-24  
(K-puk)**  
See package details for further information

Designed for use in high power industrial and commercial power electronic circuits and equipment where high currents are encountered and high reliability is essential.

# T95-1400

## Phase Control Thyristor



KKT951400, November 2006 version

### ORDERING INFORMATION

When ordering please refer to device code builder presented below.  
Please use the complete part number when ordering, quote or in any future correspondence relating to your order.

**T95-1400-□□**

└─── voltage class (hundreds of volts)

This is standard device, with no dynamic parameters specified and standard accessory set.  
Please refer to **Electrical Parameters** if specific dynamic demands have to be met.  
Those information, as well as any other concerning non-standard accessories e.g. custom leads length or lead terminal connector type should be included in the order.

### ELECTRICAL PARAMETERS

#### Voltage ratings

| Voltage class | $U_{DRM}, U_{RRM}$ | $U_{DSM}, U_{RSM}$ | $I_{DRM}, I_{RRM}$ |
|---------------|--------------------|--------------------|--------------------|
|               | V                  | V                  | mA                 |
| 04            | 400                | 500                | 100                |
| 06            | 600                | 700                |                    |
| 08            | 800                | 900                |                    |
| 10            | 1000               | 1100               |                    |
| 12            | 1200               | 1300               |                    |
| 14            | 1400               | 1500               |                    |
| 16            | 1600               | 1700               |                    |
| 18            | 1800               | 1900               |                    |
| 20            | 2000               | 2100               |                    |
| 22            | 2200               | 2300               |                    |
| 24            | 2400               | 2500               |                    |

#### dU/dt group codes

| Group code | du/dt              |
|------------|--------------------|
|            | V/μs               |
| 0          | no specified value |
| 5          | 320                |
| 6          | 500                |
| 7          | 1000               |

Zakłady Elektronowe LAMINA S.A.  
Puławska 34  
PL-05-500 Piaseczno  
POLAND

Tel.: +48-22-7572731  
Tel.: +48-22-3989409  
Fax.: +48-22-3989407  
e-mail: sekretariat@lamina.com.pl  
www.lamina.com.pl

# T95-1400

## Phase Control Thyristor



Zakłady Elektronowe  
**LAMINA S.A.**

KKT951400, November 2006 version

### Electrical properties

| Parameter                                   | Unit         | Test conditions        | Value   |
|---|--------------|------------------------|---|
| Average on-state current                    | $I_{T(AV)}$  | A                      | 1400  |
| Case temperature                            | $T_c$        | °C                     | 75  |
| RMS on-state current                        | $I_{T(RMS)}$ | A                      | 2200  |
| Surge on-state current                      | $I_{TSM}$    | A                      | $T_j=125^\circ\text{C}$ , $U_R=0,8U_{RRM}$ ,<br>$t_p=10\text{ms}$   |
| $I^2t$ – value                              | $I^2t$       | $\text{kA}^2\text{s}$  | 2850  |
| On-state voltage max.                       | $U_{TM}$     | V                      | $T_j=25^\circ\text{C}$ , $I_{TM}=1500\text{A}$  |
| Threshold voltage                           | $U_{T(T0)}$  | V                      | 0,83  |
| Slope resistance                            | $r_T$        | $\text{m}\Omega$       | 0,214   |
| Latching current                            | $I_l$        | mA                     | $T_j=25^\circ\text{C}$ , $U_D=12\text{V}$   |
| Holding current                             | $I_H$        | mA                     | $T_j=25^\circ\text{C}$ , $U_D=12\text{V}$   |
| Circuit commutated turn-off time (typical)  | $t_q$        | $\mu\text{s}$          | $T_j=125^\circ\text{C}$ , $I_{TM}=250\text{A}$ ,<br>$di_R/dt=25\text{A}/\mu\text{s}$ , $du/dt=20\text{V}/\mu\text{s}$ ,<br>$U_D=0,67U_{DRM}$ , $U_{RM}=100\text{V}$ |
| Turn-On time (typical)                      | $t_{on}$     | $\mu\text{s}$          | $I_{TM}=100\text{A}$ , $U_{DM}=100\text{V}$   |
| Rate of rise of on-state current-repetitive | $di/dt$      | $\text{A}/\mu\text{s}$ | $T_j=125^\circ\text{C}$ , $I_{TM}=3I_{T(AV)}$ ,<br>$U_D=0,67U_{DRM}$ , $f=50\text{Hz}$ , $I_{GM}=1\text{A}$ ,<br>$di_G/dt=1\text{A}/\mu\text{s}$                    |
| Critical rate of raise of off-state voltage | $du/dt$      | $\text{V}/\mu\text{s}$ | $T_j=125^\circ\text{C}$ , $U_D=0,67U_{DRM}$   |
| Gate current to trigger                     | $I_{GT}$     | mA                     | $T_j=25^\circ\text{C}$ , $U_D=12\text{V}$   |
| Gate voltage to trigger                     | $U_{GT}$     | V                      | $T_j=25^\circ\text{C}$ , $U_D=12\text{V}$   |

### Thermal properties

| Parameter                            | Unit                      | Test conditions | Value         |
|--------------------------------------|---------------------------|-----------------|---------------|
| Thermal resistance, junction to case | $R_{thJC}$                | °C/W            | two sided, DC |
| Thermal resistance, case to heatsink | $R_{thCS}$                | °C/W            | two sided     |
| Operating junction temperature       | $T_{jmin} \dots T_{jmax}$ | °C              | -40...+125    |
| Storage temperature                  | $T_{stg}$                 | °C              | -40...+125    |

### Mechanical properties

| Parameter      | Unit  | Value |
|----------------|-------|-------|
| Clamping force | $F_M$ | kN    |
| Weight         | m     | g     |

Zakłady Elektronowe LAMINA S.A.  
Puławska 34  
PL-05-500 Piaseczno  
POLAND

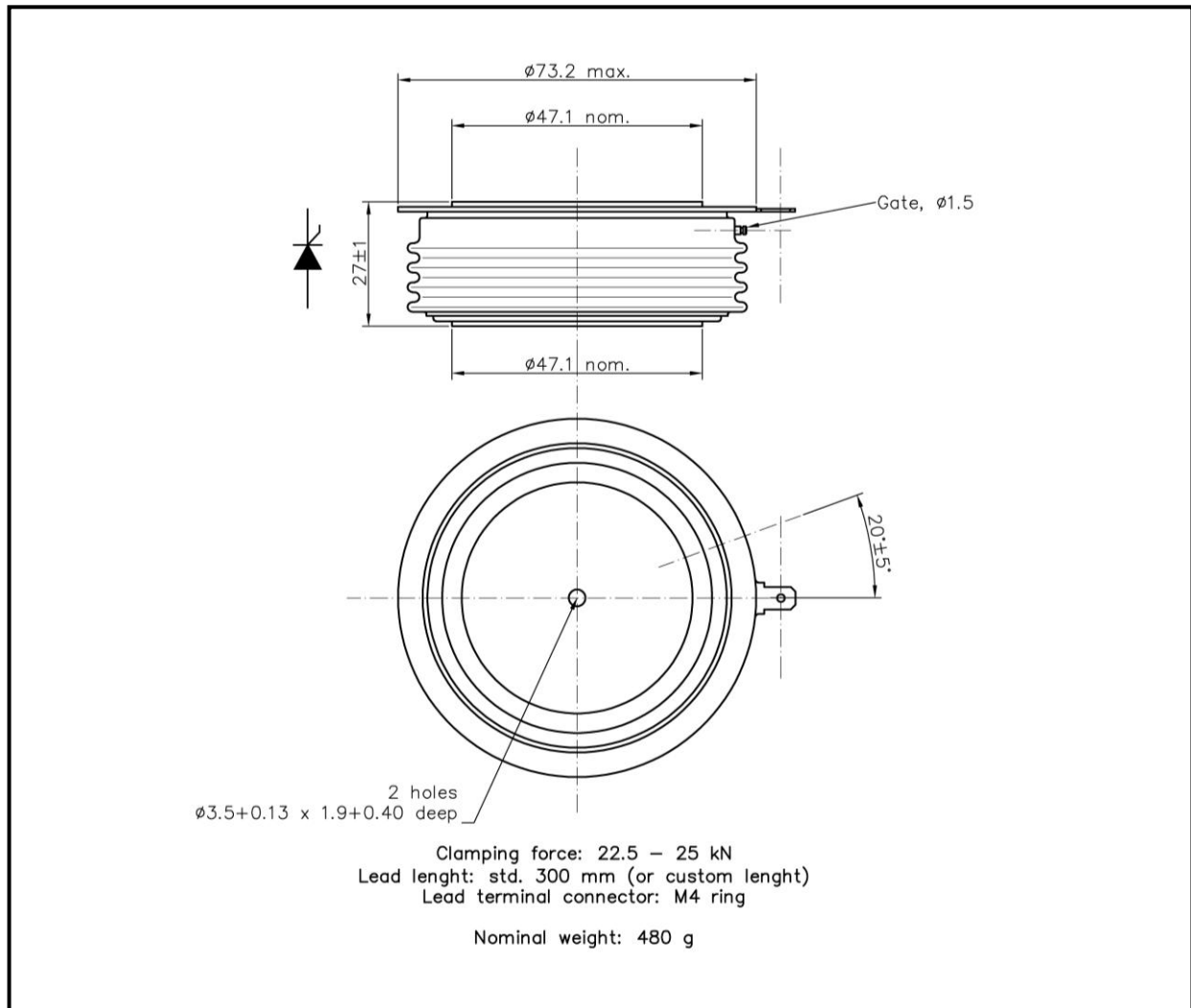
Tel.: +48-22-7572731  
Tel.: +48-22-3989409  
Fax.: +48-22-3989407  
e-mail: sekretariat@lamina.com.pl  
www.lamina.com.pl

# T95-1400

## Phase Control Thyristor

KKT951400, November 2006 version

### Package details



For further package information, please contact Sales & Marketing Department. All dimensions in mm, unless stated otherwise.  
Do not scale.

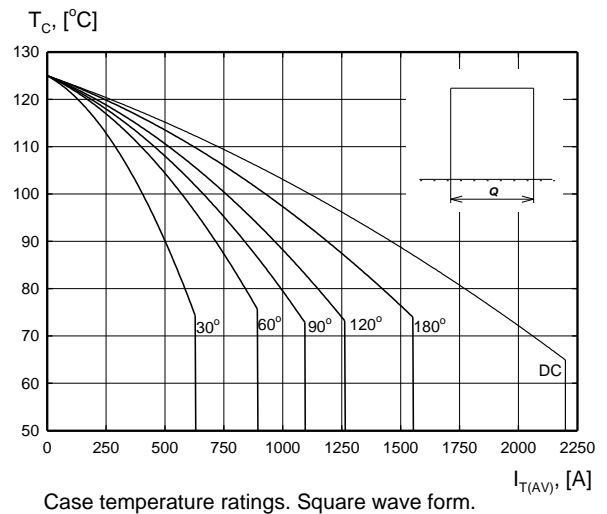
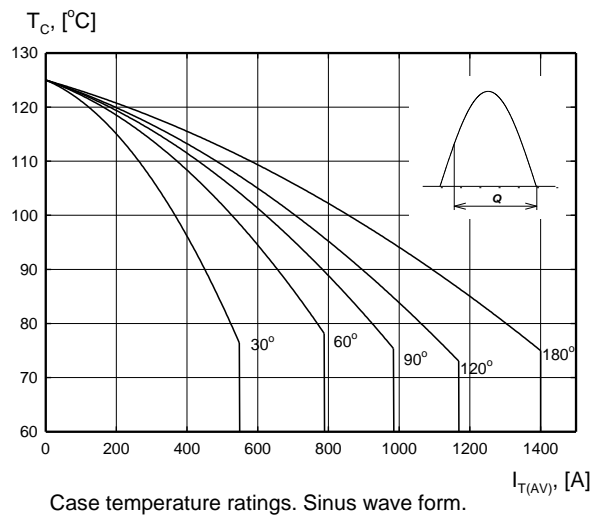
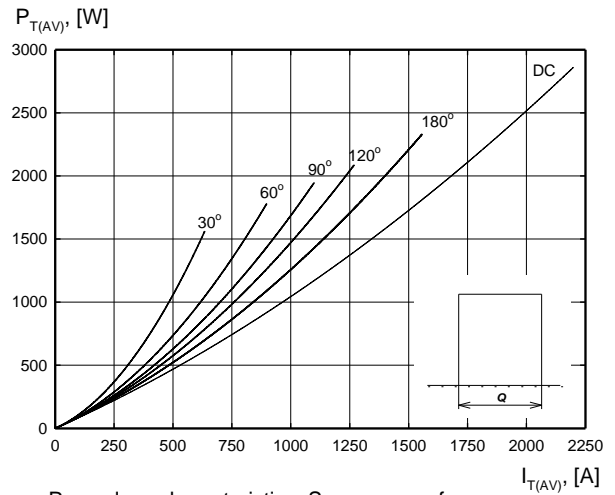
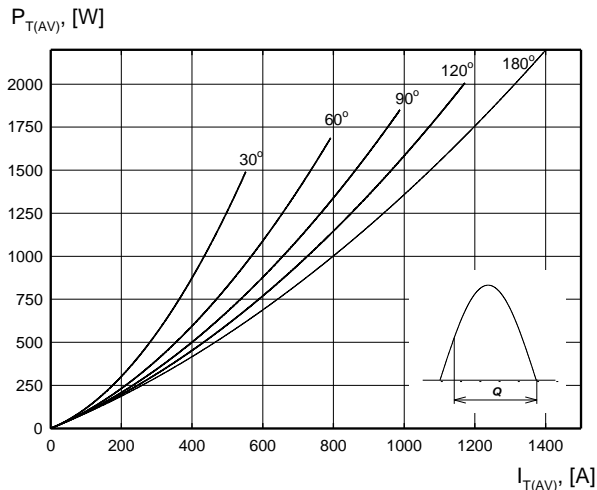
# T95-1400

## Phase Control Thyristor



KKT951400, November 2006 version

### CHARACTERISTICS



Zakłady Elektronowe LAMINA S.A.  
 Puławska 34  
 PL-05-500 Piaseczno  
 POLAND

Tel.: +48-22-7572731  
 Tel.: +48-22-3989409  
 Fax.: +48-22-3989407  
 e-mail: sekretariat@lamina.com.pl  
 www.lamina.com.pl

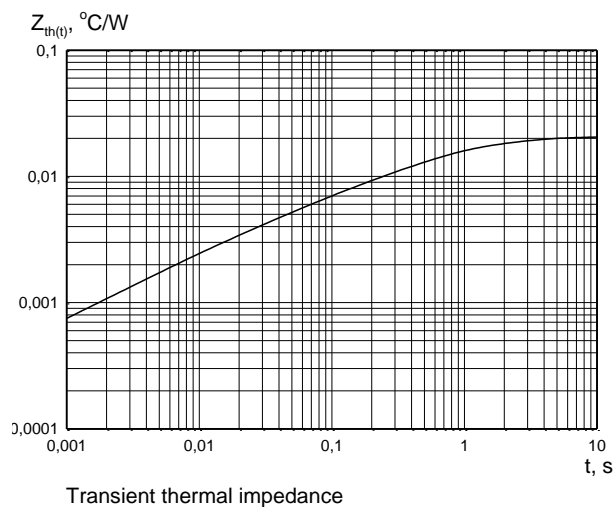
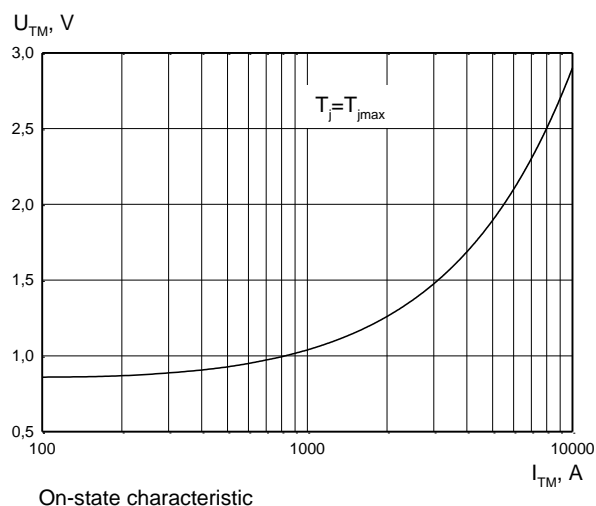
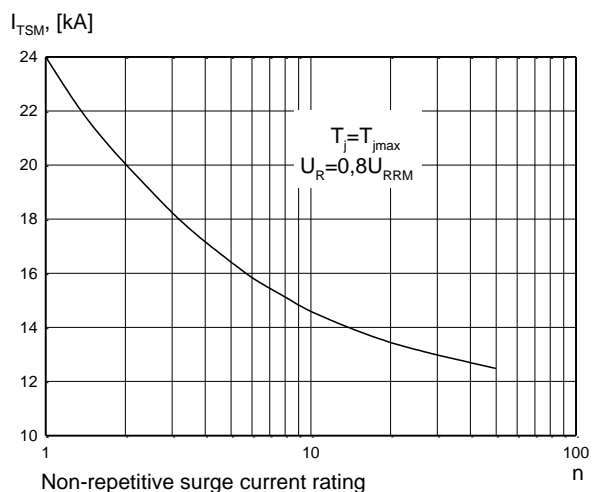
# T95-1400

## Phase Control Thyristor



Zakłady Elektronowe  
**LAMINA S.A.**

KKT951400, November 2006 version



**Zakłady Elektronowe LAMINA S.A.**  
Puławska 34  
PL-05-500 Piaseczno  
POLAND

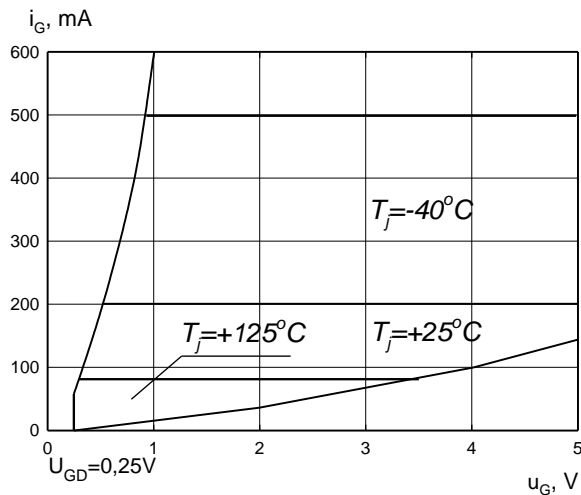
Tel.: +48-22-7572731  
Tel.: +48-22-3989409  
Fax.: +48-22-3989407  
e-mail: sekretariat@lamina.com.pl  
www.lamina.com.pl

# T95-1400

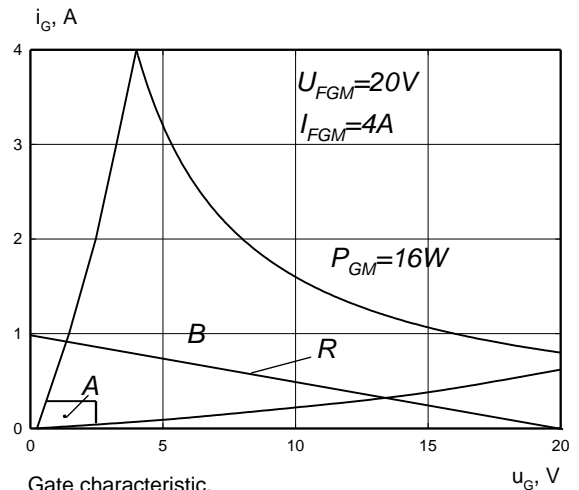
## Phase Control Thyristor

KKT951400, November 2006 version

### Gate characteristics



Gate characteristic. Possible trigger area.



Gate characteristic.

A - possible trigger area  
B - permitted gate pulse forcing area  
R - recommended gate drive load line

### HEATSINKS

LAMINA S.I. has its own proprietary range of extruded aluminium heatsinks designed to optimise the performance of our semiconductors with natural and forced air flow. High efficiency water cooled copper heatsinks are also available.

### DEVICE CLAMPS

Disc devices require the correct clamping force to ensure their best operation. LAMINA S.I. offers a wide selection of clamps to suit all of our manufactured devices.

### POWER ASSEMBLY CAPABILITY

LAMINA S.I. provides a support for those customers requiring more than a basic semiconductor and offers precisely assembled Power Blocks according to factory or customer standards.