

Wall Mount Bracket / Ceiling Mount Bracket Rubber Gasket / Upper Bracket / NPT Bracket



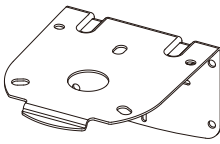
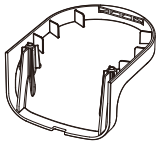
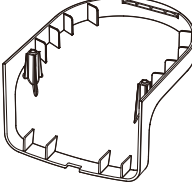
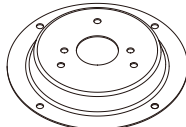



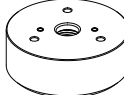
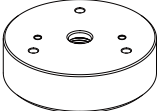
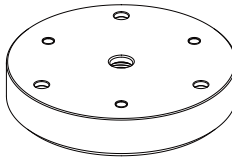
TYPE SZK / SZW / SZP

This product is an optional part for use in combination with its Applicable Models.

Applicable Models Rotating Beacons SK , Multi-function Beacons SF , Flashing Beacons SL

(Note) 1. Be sure to read the instruction manual included with the Applicable Models in addition to this model.

(Top:Product Name Bottom:Model)

Wall Mount Bracket	Wall Mount Bracket	Wall Mount Bracket	Wall Mount Bracket Cover
SZK-101	SZK-102	SZK-103	SZK-104
			
Wall Mount Bracket Cover	Ceiling Mount Bracket	Rubber Gasket	Rubber Gasket
SZK-105	SZW-101	SZW-102	SZW-103
			
Upper Bracket	NPT Bracket	NPT Bracket	NPT Bracket
SZP-101	SZP-102	SZP-103	SZP-104
			

Notice to Customer

- Thank you very much for purchasing our Patlite products.
- Request the installation and wiring be performed by a professional contractor if construction work is involved.
- Prior to installation, read this manual thoroughly before using this product to ensure correct use. In addition, please store this manual for future reference when performing maintenance, repairs or inspections.
- If there are any questions concerning this product, refer to the contact information at the end of this document and contact your nearest PATLITE Sales Representative.

To the Contractor

- Read this manual carefully prior to installation.

1 Read this First

NOTES TO BE OBSERVED FOR SAFE OPERATION

In order to prevent any damage to the user and other personnel or to assets, note the following:

- The degree of harm and damage that will occur when misuse is made by ignoring the contents of the icons indicated is explained below.

Warning

Indicates an imminently dangerous condition: failure to follow the instructions may lead to death or serious injury.

Caution

Indicates a potentially dangerous condition: failure to follow the instructions may lead to slight injury or property damage.

Warning

- To prevent from **damage**, observe the following:
 - Use this product in a **properly maintained condition**.
- Request the installation and wiring be performed by a **professional contractor** if construction work is involved. Failure to comply may result in **fire, electric shock or falling from high places possible cause of failure may occur**.
- When this product is used for security purposes, it should be inspected daily.
- After installation, do not use this product to climb up onto the equipment with. Failure to comply will result in product damage and/or falling off the machinery.

Caution

- Do not disassemble or remove during operation.

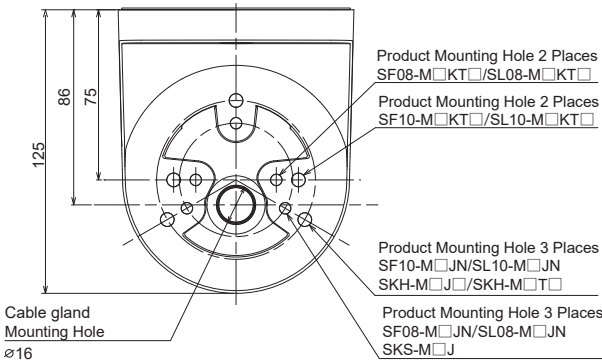
Notice

- Use a soft cloth, etc., dampened with water to wipe the product. Do not use cleaners containing thinner benzine gasoline, oil, Chemicals, etc., to wipe with. It may result in discoloration and deterioration.
- To ensure safety when this optional part is installed into equipment, observe the following:
 - Do not, by any means, disassemble or modify this product.

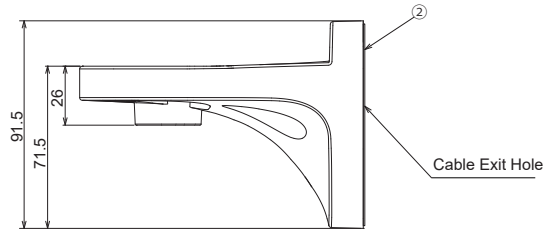
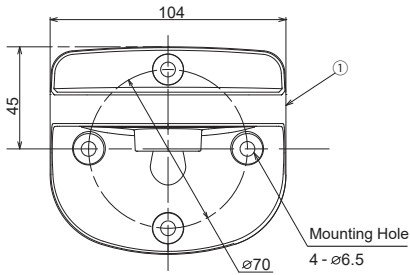
2 Name and Dimensions

TYPE SZK-101

Unit : mm



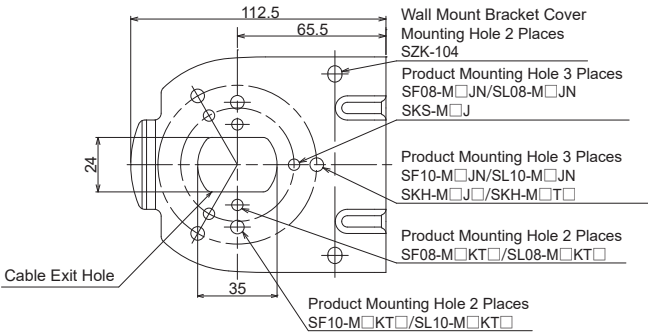
No.	Name	Material
1	Wall Mount Bracket	PC
2	Waterproof Sheet t = 1.0	CR



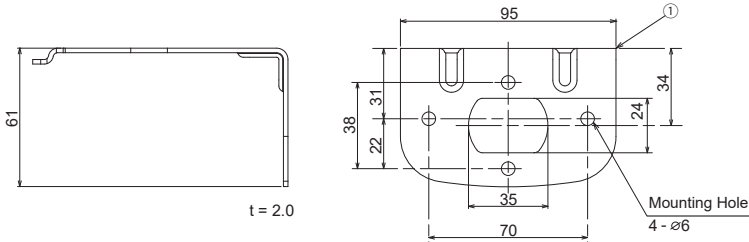
※ The Product Mounting Holes and Cable gland Mounting Holes are perforated.
Check 「Product Mounting with Knock-outs (11 page)」 for how to drill holes.

TYPE SZK-102

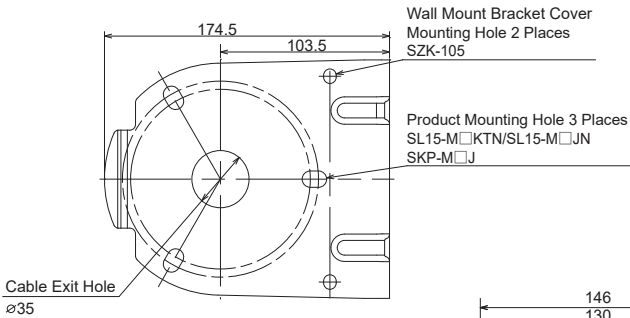
Unit : mm



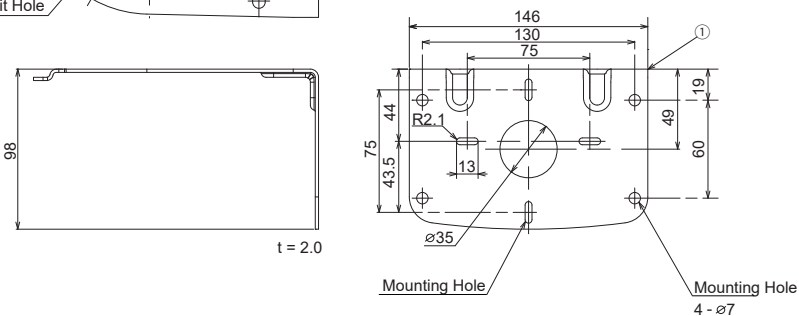
No.	Name	Material
1	Wall Mount Bracket	SUS



TYPE SZK-103

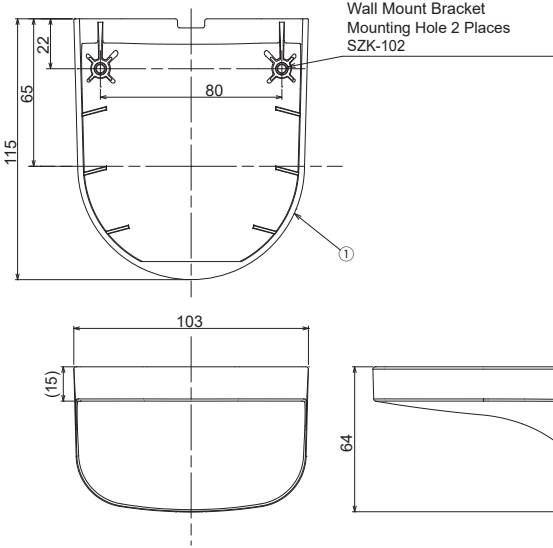


No.	Name	Material
1	Wall Mount Bracket	SUS



TYPE SZK-104

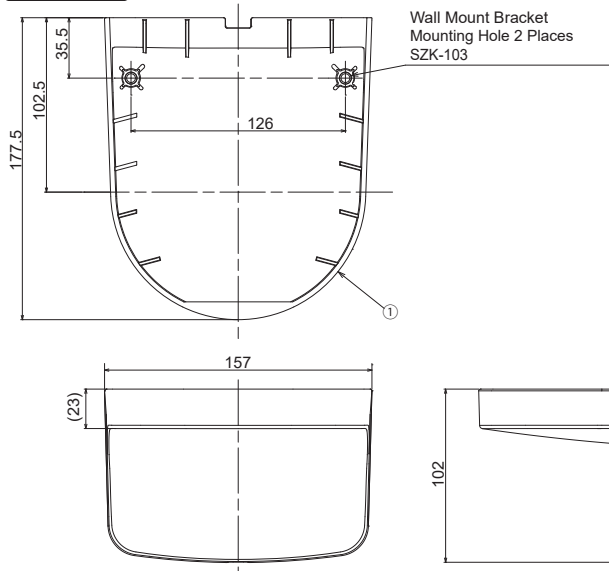
Unit : mm



No.	Name	Material
1	Wall Mount Bracket Cover	PC

Accessory	Material
Head Tapping Screw 4×12 2 pcs.	SUS

TYPE SZK-105

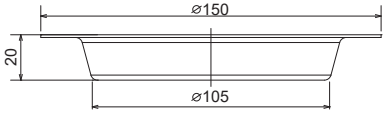


No.	Name	Material
1	Wall Mount Bracket Cover	PC

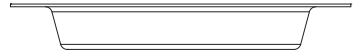
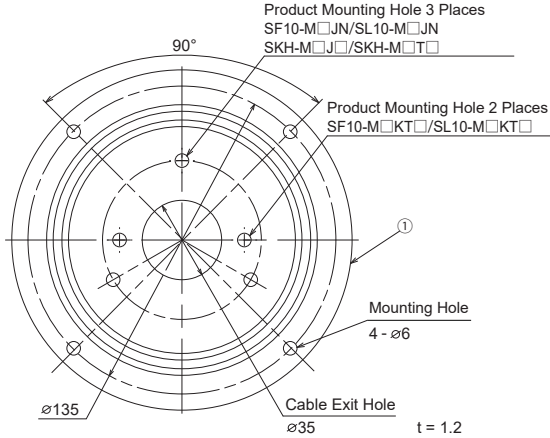
Accessory	Material
Head Tapping Screw 5×16 2 pcs.	SUS

TYPE SZW-101

Unit : mm



No.	Name	Material
1	Ceiling Mount Bracket	SPCE



Upright

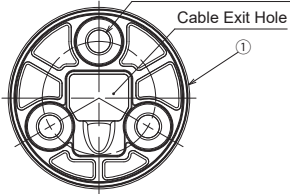


Inverted

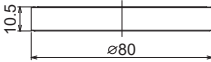
TYPE SZW-102

Product Mounting Hole 3 Places
 SF08-M□JN/SL08-M□JN
 SKS-M□J

Unit : mm

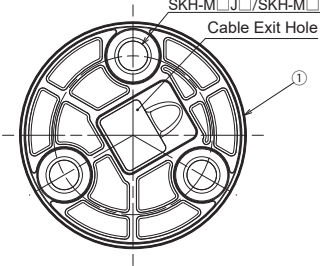


No.	Name	Material
1	Rubber Gasket	Silicone

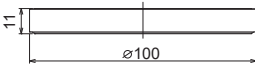


TYPE SZW-103

Product Mounting Hole 3 Places
 SF10-M□JN/SL10-M□JN
 SKH-M□J□/SKH-M□T□

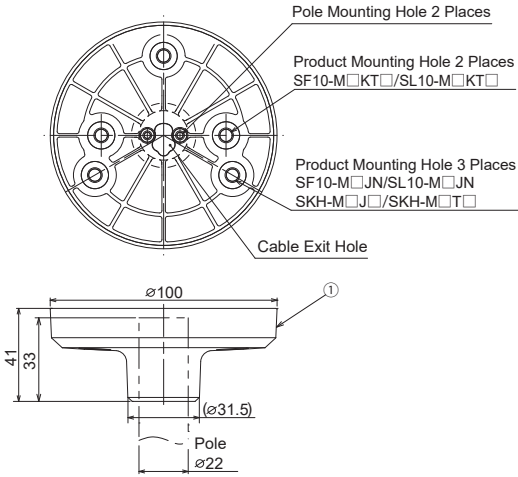


No.	Name	Material
1	Rubber Gasket	Silicone



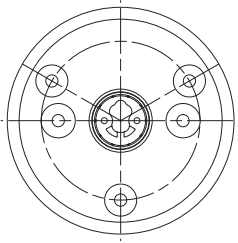
TYPE SZP-101

単位：mm



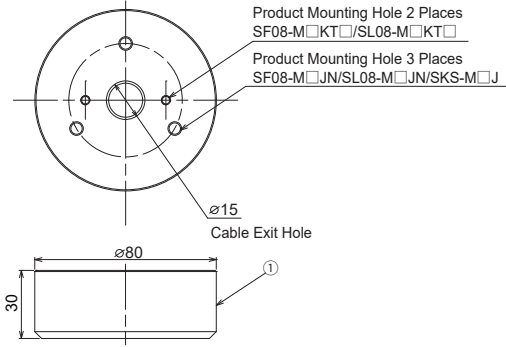
No.	Name	Material
1	Upper Bracket	PC

Accessory		Material
Pole Waterproof Sheet	1 pcs.	Silicone
Waterproof Sheet	t = 2.0 1 pcs.	PUR

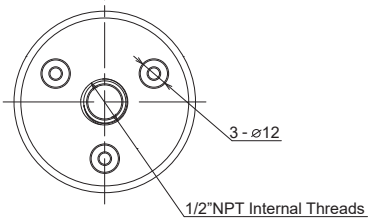


TYPE SZP-102

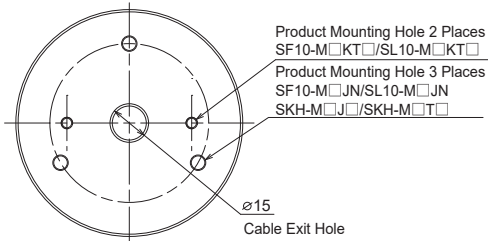
Unit : mm



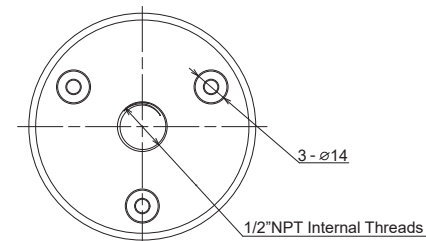
No.	Name	Material
1	NPT Bracket	AL



TYPE SZP-103



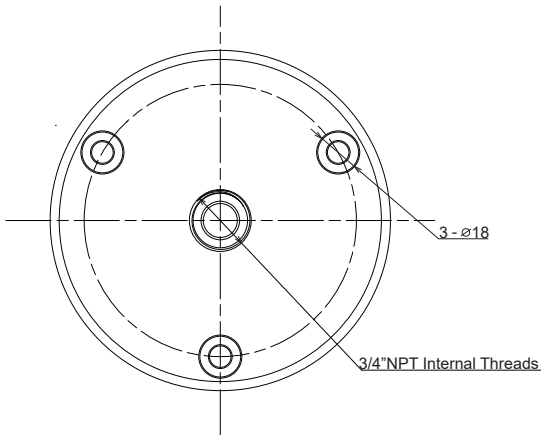
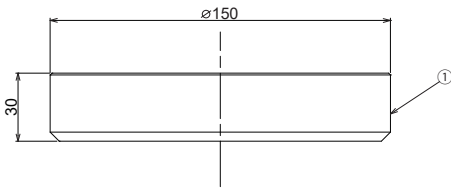
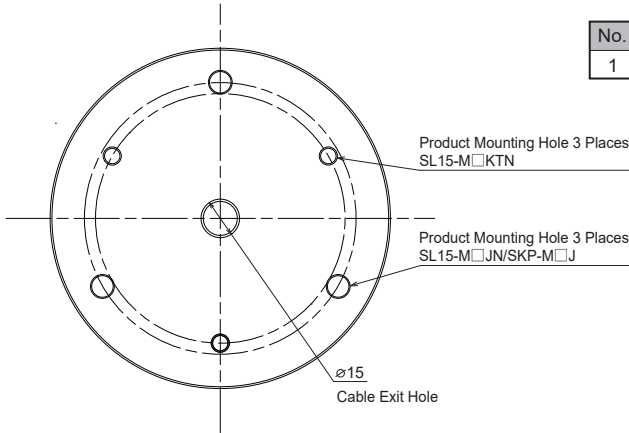
No.	Name	Material
1	NPT Bracket	AL



TYPE SZP-104

Unit : mm

No.	Name	Material
1	NPT Bracket	AL



3 Installation

Notice

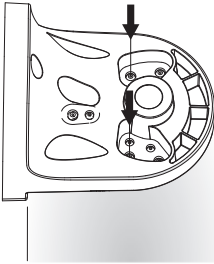
- Ensure that the product is installed in an environment that meets the following conditions:
 - Where **excessive vibration** is not present.
 - On a **sturdy surface**. - On a **level surface**.
- When installing this product in an environment where waterproofing is required, be sure to properly waterproof the exposed nuts and bolts.
- Before use, be sure to read this manual as well as the instruction manual for the compatible PATLITE beacon.

TYPE SZK-101

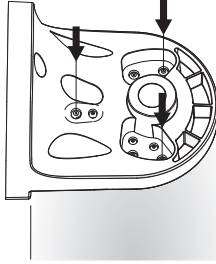
⚠ Caution

- If using a cable gland, be sure that you are using it for the cable type beacons.
- Do not open unused mounting holes. If it is accidentally opened, be sure to waterproof the opening.
- Be sure to deburr after drilling.
- A cable gland with a mounting screw size of M16 x 20mm or less and cable size of $\varnothing 7$ to 8mm is recommended.

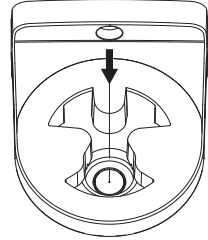
Product Mounting with Knock-outs



Product Mounting Hole (2 holes)
(SF10-KT/SL10-KT)



Product Mounting Hole (3 holes)
(SF10-J/SL10-J/SKH)



Cable gland Mounting Hole

For Product Mounting Holes

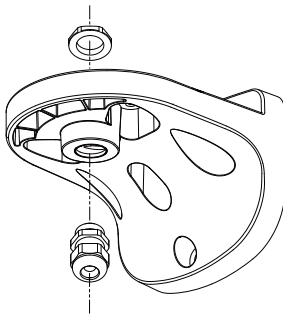
Place the mounting bracket on a flat surface, with the bottom side up. Drill the holes from the bottom side.

Model	Drill	Number of Holes
SF08-KT/SL08-KT	$\varnothing 5\text{mm}$	2
SF10-KT/SL10-KT	$\varnothing 6\text{mm}$	2
SF08-J/SL08-J/SKS	$\varnothing 5\text{mm}$	3
SF10-J/SL10-J/SKH	$\varnothing 6\text{mm}$	3

For Cable Gland

Drill a $\varnothing 16$ hole from the top surface.

Cable gland Installation



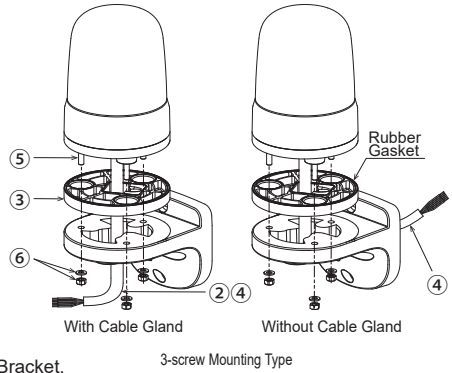
Connect a commercially available cable gland from the bottom of the Wall Mount Bracket. Install and fix in place with nuts from above.

Product Attachment

□ 3-screw Mounting Type

- ① Attach the Wall Mount Bracket to the wall, referring to the dimensions in the Mounting Dimensional Drawing below. (Screws are not included. Please prepare separately.)
- ② If using a cable gland, refer to "Product Mounting with Knock-outs (page 11)".
- ③ If using a Rubber Gasket (SZW-102 / SZW-103), waterproofing is required. (Refer to "Product Attachment (page 17)" for mounting instructions for the Rubber Gasket.)
- ④ Wire the product as shown on the right.
- ⑤ Insert the product bolt into the mounting hole of the Wall Mount Bracket.
- ⑥ Use the nuts and washer (accessory) to secure the product.

Model	Nut	Recommend Torque
SF08/SL08/SKS	M4	0.7 N·m
SF10/SL10/SKH	M5	1.4 N·m

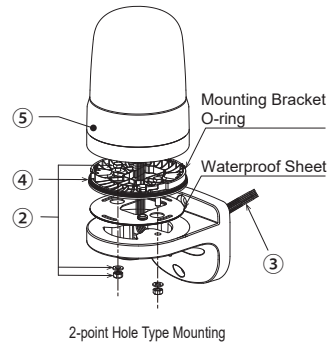


□ 2-point Hole Type Mounting

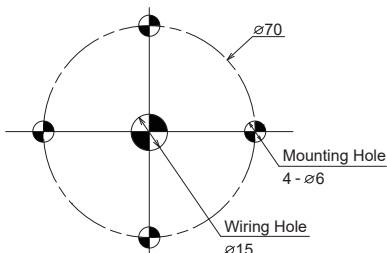
- ① Attach the Wall Mount Bracket to the wall, referring to the dimensions in the Mounting Dimensional Drawing below. (Screws are not included. Please prepare separately.)
- ② Using the mounting holes on the Wall Mount Bracket, secure the Mounting Bracket and Waterproof Sheet with screws and nuts. (Installation screws and nuts are not included with this product.)

Model	Recommend Screw	Recommend Torque
SF08/SL08	M4×20mm	0.7 N·m
SF10/SL10	M5×20mm	1.4 N·m

- ③ Wire the product as shown on the right.
- ④ Check that the O-ring is not twisted.
- ⑤ Align the indicators of the Mounting Bracket and the body of the beacon, then twist clockwise to lock in place. (Read the applicable instruction manual for the locked state.)



■ Mounting Dimensional Drawing [Unit : mm]



Screw / Nut	Recommend Torque
M5	1.4 N·m

TYPE SZK-102

⚠ Caution

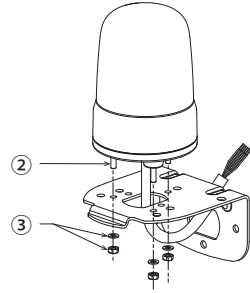
- When using the Wall Mount Bracket (SZK-102) with a Rubber Gasket (SZW-102/SZW-103), the protection rating is IP23.
- If the rated voltage of the product to be installed exceeds 100V AC, use the Wall Mount Bracket Cover (SZK-104).

Product Attachment

☐ 3-screw Mounting Type

- ① Attach the Wall Mount Bracket to the wall, referring to the dimensions in the Mounting Dimensional Drawing below. (Screws are not included. Please prepare separately.)
- ② Insert the product bolt into the mounting hole of the Wall Mount Bracket.
- ③ Use the nuts and washer (accessory) to secure the product.

Model	Nut	Recommend Torque
SF08/SL08/SKS	M4	0.7 N·m
SF10/SL10/SKH	M5	1.4 N·m



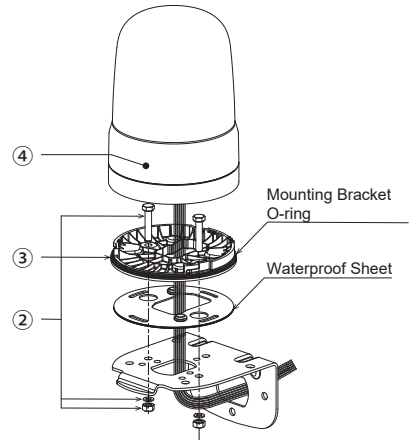
3-screw Mounting Type

☐ 2-point Hole Type Mounting

- ① Attach the Wall Mount Bracket to the wall, referring to the dimensions in the Mounting Dimensional Drawing below. (Screws are not included. Please prepare separately.)
- ② Using the mounting holes on the Wall Mount Bracket, secure the Mounting Bracket and Waterproof Sheet with screws and nuts. (Installation screws and nuts are not included with this product.)

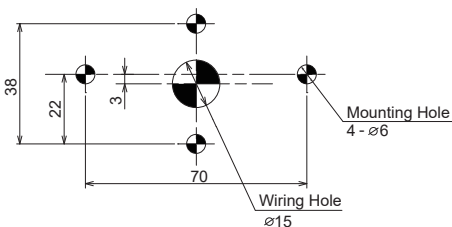
Model	Recommend Screw	Recommend Torque
SF08/SL08	M4×20mm	0.7 N·m
SF10/SL10	M5×20mm	1.4 N·m

- ③ Check that the O-ring is not twisted.
- ④ Align the indicators of the Mounting Bracket and the body of the beacon, then twist clockwise to lock in place. (Read the applicable instruction manual for the locked state.)



2-point Hole Type Mounting

■ Mounting Dimensional Drawing [Unit : mm]



Screw / Nut	Recommend Torque
M5	1.4 N·m

TYPE SZK-103

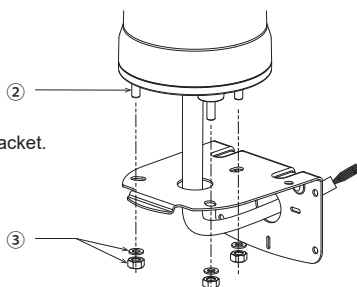
⚠ Caution

- If the rated voltage of the product to be installed exceeds 100V AC, use the Wall Mount Bracket Cover (SZK-105).

Product Attachment

☐ 3-screw Mounting Type

- ① Attach the Wall Mount Bracket to the wall, referring to the dimensions in the Mounting Dimensional Drawing below. (Screws are not included. Please prepare separately.)
- ② Insert the product bolt into the mounting hole of the Wall Mount Bracket.
- ③ Use the nuts and washer (accessory) to secure the product.

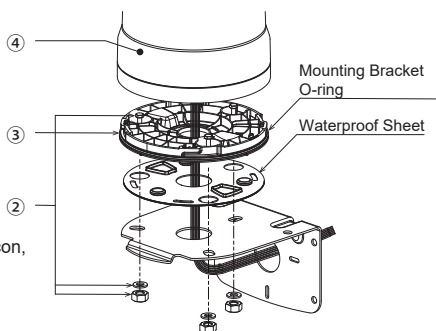


3-screw Mounting Type

Model	Nut	Recommend Torque
SL15/SKP	M8	6.0 N·m

☐ 3-point Hole Type Mounting

- ① Attach the Wall Mount Bracket to the wall, referring to the dimensions in the Mounting Dimensional Drawing below. (Screws are not included. Please prepare separately.)
- ② Using the mounting holes on the Wall Mount Bracket, secure the Mounting Bracket and Waterproof Sheet with screws and nuts. (Installation screws and nuts are not included with this product.)

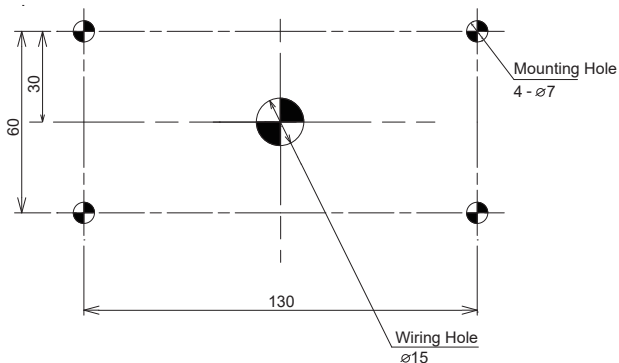


3-point Hole Type Mounting

Model	Recommend Screw	Recommend Torque
SL15	M8×25mm	6.0 N·m

- ③ Check that the O-ring is not twisted.
- ④ Align the indicators of the Mounting Bracket and the body of the beacon, then twist clockwise to lock in place. (Read the applicable instruction manual for the locked state.)

■ Mounting Dimensional Drawing [Unit : mm]



Screw / Nut	Recommend Torque
M6	2.4 N·m

TYPE SZK-104/SZK-105

⚠ Caution

- Attach the Wall Mount Bracket cover after attaching the product to the Wall Mount Bracket (SZK-102 / SZK-103). (Refer to "Product Attachment (page 13, 14)" for the mounting method of the Wall Mount Bracket.)

Wall Mount Bracket Attachment

- ① Remove the accessories attached to the Wall Mount Bracket Cover.
- ② Insert the Wall Mount Bracket Cover into the Wall Mount Bracket as shown in Figure 1.
- ③ Align the Mounting Holes on the Wall Mount Bracket and the Wall Mount Bracket Cover.
- ④ Secure the Wall Mount Bracket Cover with the screws provided.

Model	Screw	Recommend Torque
SZK-102	4×12mm	0.7 N·m
SZK-103	5×16mm	1.4 N·m

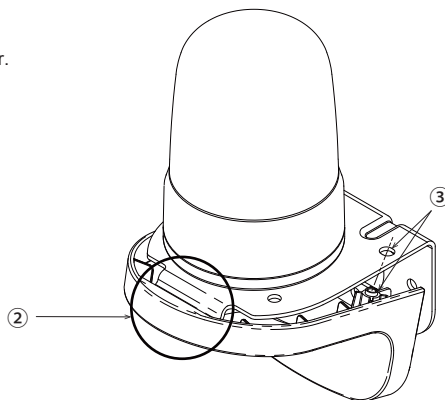


Figure 1

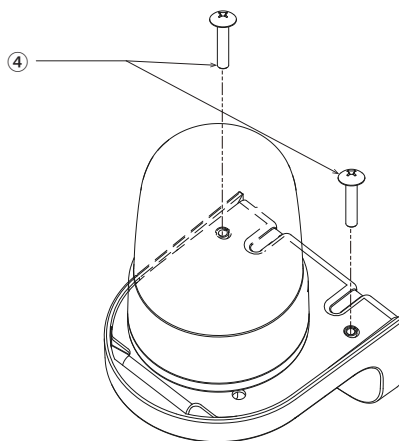


Figure 2

TYPE SZW-101

⚠ Caution

- After installing the product, fix the Ceiling Mount Bracket to the ceiling.

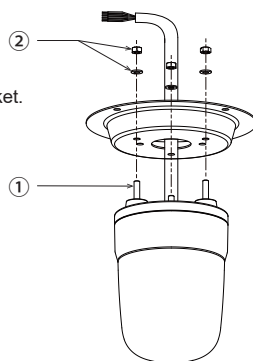
Product Attachment

☐ 3-screw Mounting Type

- ① Insert the product bolt into the mounting hole of the Ceiling Mount Bracket.
- ② Use the nuts and washer (accessory) to secure the product.

Model	Nut	Recommend Torque
SF10/SL10/SKH	M5	1.4 N·m

- ③ Attach the Ceiling Mount Bracket to the wall, referring to the dimensions in the Mounting Dimensional Drawing below. (Screws are not included. Please prepare separately.)



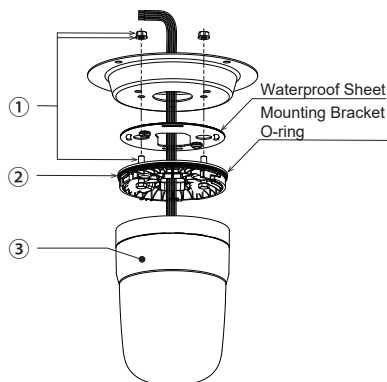
3-screw Mounting Type

☐ 2-point Hole Type Mounting

- ① Using the mounting holes on the Ceiling Mount Bracket, secure the Mounting Bracket and Waterproof Sheet with screws and nuts. (Installation screws and nuts are not included with this product.)

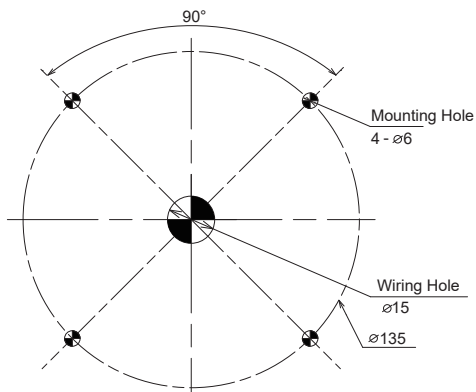
Model	Recommend Screw	Recommend Torque
SF10/SL10/SKH	M5×20mm or M5×14mm	1.4 N·m

- ② Check that the O-ring is not twisted.
- ③ Align the indicators of the Mounting Bracket and the body of the beacon, then twist clockwise to lock in place. (Read the applicable instruction manual for the locked state.)
- ④ Attach the Ceiling Mount Bracket to the wall, referring to the dimensions in the Mounting Dimensional Drawing below. (Screws are not included. Please prepare separately.)



2-point Hole Type Mounting

■ Mounting Dimensional Drawing [Unit : mm]

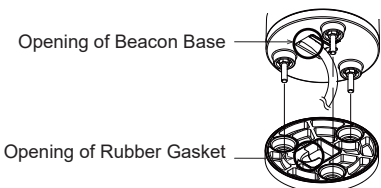


Screw / Nut	Recommend Torque
M5	1.4 N·m

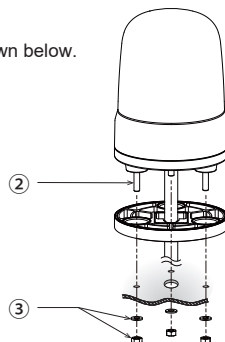
TYPE SZW-102/SZW-103

Product Attachment

- Align the opening of beacon base with the opening of the Rubber Gasket as shown below.



- Insert the product bolt into the mounting hole of the Rubber Gasket.
- Use the nuts and washer (accessory) to secure the product.



SZW-102

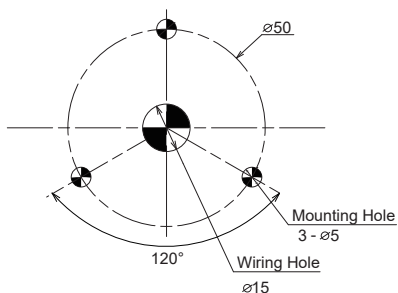
Model	Nut	Recommend Torque
SF08/SL08/SKS	M4	0.7 N·m

SZW-103

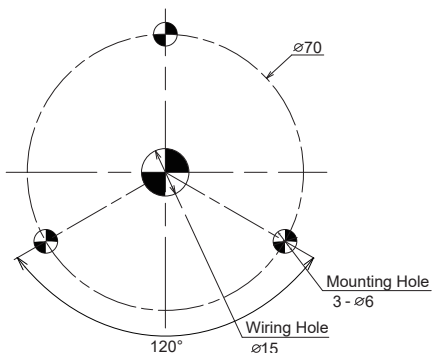
Model	Nut	Recommend Torque
SF10/SL10/SKH	M5	1.4 N·m

■ Mounting Dimensional Drawing [Unit : mm]

SZW-102



SZW-103



TYPE SZP-101

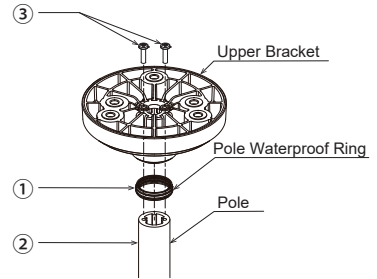
Pole Attachment

- ① Install the Pole Waterproof Ring to the bottom of the Upper Bracket.
Check that the 2 ribs are on the outside.



- ② Insert the Pole into the Upper Bracket. Refer to the figure on the right.
(The Pole is sold separately.)
- ③ Tighten the Binding Head Tapping Screws (2 pcs.) from the topside of the Upper Bracket.

Screw	Recommend Torque
3×12mm	0.8 N·m



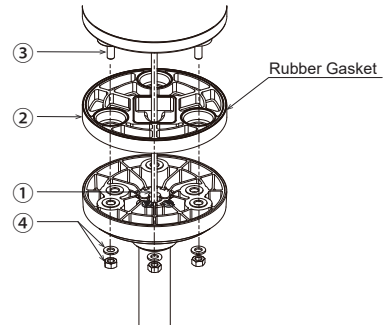
Product Attachment

□ 3-screw Mounting Type

- ① Wire the product as shown on the right.
- ② When use a Rubber Gasket (SZW-103), waterproofing is required.
(Refer to "Product Attachment (page 17)" for the mounting method of the Rubber Gasket.)
- ③ Insert the product bolt into the mounting hole of the Upper Bracket.
- ④ Use the nuts and washer (accessory) to secure the product.

Model	Nut	Recommend Torque
SF10/SL10/SKH	M5	1.4 N·m

※ The Waterproof Sheet is not required.(Accessory of Upper Bracket)



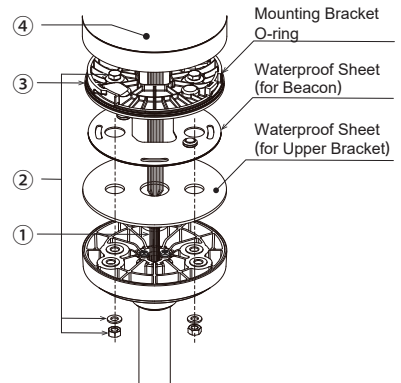
3-screw Mounting Type

□ 2-point Hole Type Mounting

- ① Wire the product as shown on the right.
- ② Using the mounting holes on the Upper Bracket, secure the Mounting Bracket and Waterproof Sheet with screws and nuts.
(Installation screws and nuts are not included with this product.)

Model	Recommend Screw	Recommend Torque
SF10/SL10/SKH	M5×20mm	1.4 N·m

- ③ Check that the O-ring is not twisted.
- ④ Align the indicators of the Mounting Bracket and the body of the beacon, then twist clockwise to lock in place.
(Read the applicable instruction manual for the locked state.)

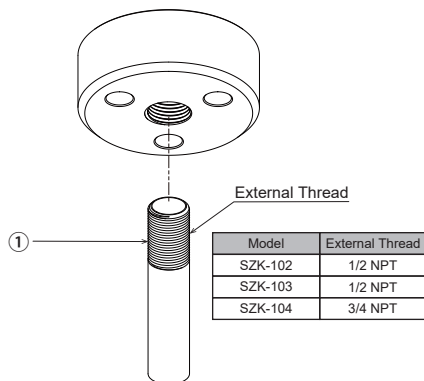


2-point Hole Type Mounting

TYPE SZP-102/SZP-103/SZP-104

Pole Installation

- Install the Pole to the NPT Bracket.
Tighten tightly !

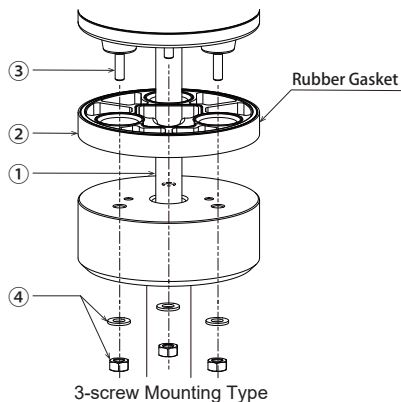


Product Attachment

3-screw Mounting Type

- Take out the wiring.
- If using a Rubber Gasket (SZW-102 / SZW-103), waterproofing is required.
(Refer to "Product Attachment (page 17)" for mounting instructions for the Rubber Gasket.)
- Insert the bolts of the beacon into the mounting holes of the NPT Bracket.
- Use the nuts (accessory) to secure the mounting surface of the NPT Bracket.

Model	Nut	Recommended Torque
SF08/SL08/SKS	M4	0.7 N·m
SF10/SL10/SKH	M5	1.4 N·m
SL15/SKP	M8	6.0 N·m



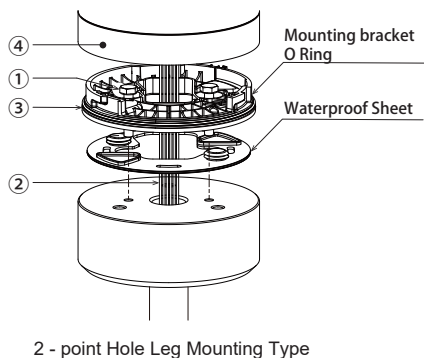
2 - point Hole Leg Mounting Type

3 - point Hole Leg Mounting Type

- Using the mounting holes on the NPT Bracket, secure the Mounting Bracket and Waterproof Sheet with screws and nuts.
(Installation screws are not included with this product. Binding head screws or pan head screws are recommended.)

Model	Screw	Recommended Torque
SF08/SL08	M4	0.7 N·m
SF10/SL10	M5	1.4 N·m
SL15	M8	6.0 N·m

- Take out the wiring.
- Check that the O-ring is not twisted.
- Align the indicators of the Base and the body of the beacon, then twist clockwise to lock in place.
(Check the INSTRUCTION MANUAL for the lock state)



4 Specifications

General Specifications (SZK-101)

Product Name	Wall Mount Bracket	
Model	SZK-101	
Applicable Models	SF08-M□KT□	SF08-M□JN
	SL08-M□KT□	SL08-M□JN
	SF10-M□KT□	SKS-M□J
	SF10-M□KT□	SF10-M□JN
	SL10-M□KT□	SL10-M□JN
	SL10-M□KT□	SKH-M□J□ SKH-M□T□
Mounting Location	According to the product to be installed.	
Mounting Direction	Upright	
Mass (Typ.)	0.15kg	
Protection Rating	IP65 (With product attachment)	SF08-M□KT□ / SL08-M□KT□ SF10-M□KT□ / SL10-M□KT□
	IP65 (When used with product and SZW-102 Rubber Gasket attachment)	SF08-M□JN / SL08-M□JN / SKS-M□J
	IP65 (When used with product and SZW-103 Rubber Gasket attachment)	SF10-M□JN / SL10-M□JN SKH-M□J□ / SKH-M□T□
	IP23 ※ (With product attachment)	SF08-M□JN / SL08-M□JN / SKS-M□J SF10-M□JN / SL10-M□JN SKH-M□J□ / SKH-M□T□
Environmental Condition	Upright	
Remarks	There are no contents of controlled substances exceeding the threshold for the RoHS Directive. ※ Excluding Terminal Block Opening of SKH-M□T.	

General Specifications (SZK-102/103)

Product Name	Wall Mount Bracket	
Model	SZK-102	SZK-103
Applicable Models	SF08-M□KT□	SL15-M□KTN
	SL08-M□KT□	SL15-M□JN
	SF10-M□KT□	SKP-M□J
	SL10-M□KT□	/
	SF08-M□JN	
	SL08-M□JN	
	SKS-M□J	
	SF10-M□JN	
	SL10-M□JN	
	SKH-M□J□	
SKH-M□T□		
Mounting Location	According to the product to be installed.	
Mounting Direction	Upright	
Mass (Typ.)	0.19kg	0.51kg
Protection Rating	IP23 ※ (With product attachment)	
Environmental Condition	Upright	
Remarks	There are no contents of controlled substances exceeding the threshold for the RoHS Directive. ※ Excluding Terminal Block Opening of SKH-M□T.	

General Specifications (SZK-104/105)

Product Name	Wall Mount Bracket Cover	
Model	SZK-104	SZK-105
Applicable Models	SZK-102	SZK-103
Mounting Location	According to the product to be installed.	
Mounting Direction	Upright	
Mass (Typ.)	0.06kg(Accessory Remove)	0.17kg(Accessory Remove)
Protection Rating	IP23 ※ (When used with product and SZK-102 Wall Mount Bracket)	IP23 (When used with product and SZK-103 Wall Mount Bracket)
Environmental Condition	Upright	
Remarks	There are no contents of controlled substances exceeding the threshold for the RoHS Directive. ※ Excluding Terminal Block Opening of SKH-M□T.	

General Specifications (SZW-101)

Product Name	Ceiling Mount Bracket	
Model	SZW-101	
Applicable Models	SF10-M□KT□	SF10-M□JN
	SL10-M□KT□	SL10-M□JN
		SKH-M□J□ SKH-M□T□
Mounting Location	According to the product to be installed.	
Mounting Direction	Upright / Inverted	
Mass (Typ.)	0.20kg	
Protection Rating	IP20(With product attachment)	
Environmental Condition	Upright / Inverted	
Remarks	There are no contents of controlled substances exceeding the threshold for the RoHS Directive.	

General Specifications (SZW-102/SZW-103)

Product Name	Rubber Gasket	
Model	SZW-102	SZW-103
Applicable Models	SF08-M□JN	SF10-M□JN
	SL08-M□JN	SL10-M□JN
	SKS-M□J	SKH-M□J□
		SKH-M□T□
Mounting Location	According to the product to be installed.	
Mounting Direction	Upright	
Mass (Typ.)	0.03kg	0.05kg
Protection Rating	IP65(With product attachment)	
Environmental Condition	Upright	
Remarks	There are no contents of controlled substances exceeding the threshold for the RoHS Directive.	

General Specifications (SZP-101)

Product Name	Upper Bracket	
Model	SZP-101	
Applicable Models	SF10-M□KT□	SF10-M□JN
	SL10-M□KT□	SL10-M□JN
		SKH-M□J□
		SKH-M□T□
Corresponding Pole(※)	POLE22-0100AN / POLE22-0100ANK	POLE22-0100AT
	POLE22-0300AN / POLE22-0300ANK	POLE22-0300AT
	POLE22-0500AN	POLE22-0500AT
	POLE22-0800AN / POLE22-0800ANK	POLE22-0800AT
	POLE22-1000AN	POLE22-1000AT
Mounting Location	According to the product to be installed.	
Mounting Direction	Upright	
Mass (Typ.)	0.08kg(Accessory Remove)	
Protection Rating	IP65(With product attachment)	SF10-M□KT□ / SL10-M□KT□
	IP65 (When used with product and SZW-103 Rubber Gasket attachment)	SF10-M□JN / SL10-M□JN SKH-M□J□ / SKH-M□T□
	IP20(With product attachment)	SF10-M□JN / SL10-M□JN SKH-M□J□ / SKH-M□T□
Environmental Condition	Upright	
Remarks	There are no contents of controlled substances exceeding the threshold for the RoHS Directive.	

※ When installing applicable options (sold separately), check our website (<https://www.patlite.com>)

General Specifications (SZP-102/103/104)

Product Name	NPT Bracket		
Model	SZP-102	SZP-103	SZP-104
Applicable Models	SF08-M□KT□	SF10-M□KT□	SL15-M□KTN
	SL08-M□KT□	SL10-M□KT□	SL15-M□JN
	SF08-M□JN	SF10-M□JN	SKP-M□J
	SL08-M□JN	SL10-M□JN	
	SKS-M□J	SKH-M□J□	
		SKH-M□T□	
Mounting Location	According to the product to be installed.		
Mounting Direction	Upright		
Mass (Typ.)	0.36kg	0.57kg	1.32kg
Protection Rating	IP20(With product attachment)		
Environmental Condition	Upright		
Remarks	There are no contents of controlled substances exceeding the threshold for the RoHS Directive.		