

LED Light Bar Bracket INSTALLATION MANUAL

[Type : SZ-310]

Thank you for purchasing the PATLEDs LED Light Bar Bracket for you application. Please read these instructions carefully before installation, maintenance and repair. Store this manual in a safe place for future reference. If you have any questions regarding this product, please contact our PATLITE Sales Representatives.

Notice for Safe Operation

In order to prevent any damage to the user and other personnel or to assets, note the following:

◆ The warning indications are divided into the following classes according to the degree of danger or damage incurred when the warning is not taken into consideration and the product is not correctly used.

Warning Indicates an imminently dangerous condition: failure to follow the instructions may lead to death or serious injury.

Caution Indicates a potentially dangerous condition: failure to follow the instructions may lead to slight injury or property damage.

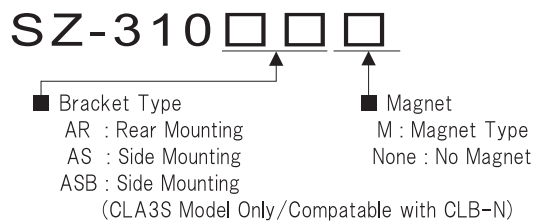
◆ The following symbols indicated explains the nature of information to be observed.

- This symbol indicates "Prohibited", which should be carried out by all means.
- This symbol indicates "Enforced", which should be observed and carried out by all means.

1. To operate this product safely, please observe the following

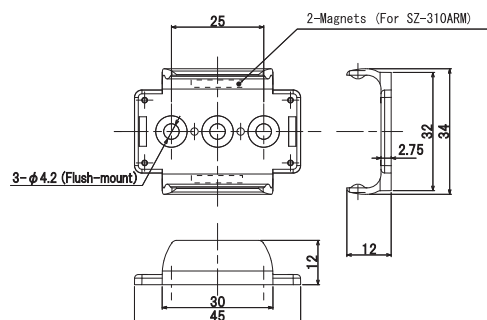
- Warning** [Prohibited]
- Do not disassemble or alter the product. Possibility of fire or electrocution may result.
 - After installing this product to the machine, etc., do not operate it with the cover removed or use it as a step-ladder when climbing onto the machinery. Result in falling off of machinery or product failure, etc may occur.
- Enforced**
- Be sure to disconnect the power when wiring, mounting, exchanging or repairing the product. Result in short-circuiting, electrocution or product failure may occur.
 - Request the installation and wiring to be accompanied by a professional contractor. Possible cause of fire, electric shock or falling from high places may occur.
 - When this product is used for security purposes, it should be inspected daily. In case a malfunction should occur, it is recommended that you use this product in conjunction with other security products.

2. Model Number Configuration

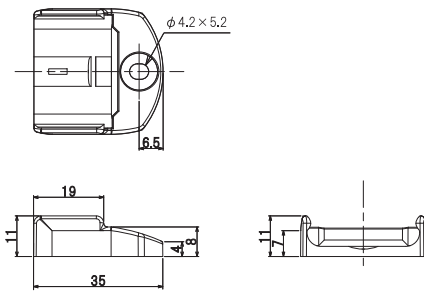


3. Part Names and Dimensions

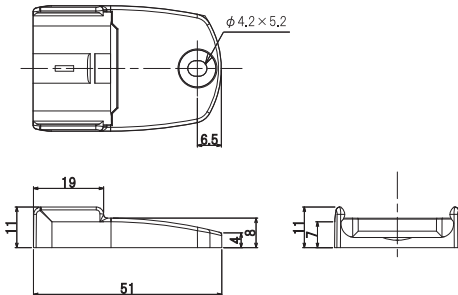
- SZ-310AR (Standard Enclosure)
- SZ-310ARM (Optional)



● SZ-310AS (Option)

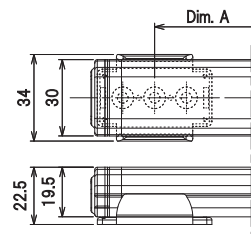


● SZ-310ASB (Option)

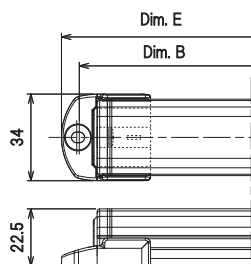


■ Mounting Pitch·Product Mounting Appearance

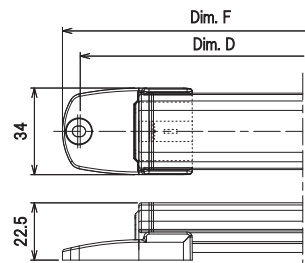
● SZ-310AR(M)



● SZ-310AS



● SZ-310ASB (Model CLB-N Compatible)



Corresponding Bracket Table

Model Name	SZ-310AR(M)	SZ-310AS	SZ-310ASB
CLA1S	○	○	×
CLA2S	○	○	×
CLA3S	○	○	○
CLA6S	○	○	×
CLA9S	○(4)	○(+2-AR)	×
CLA12S	○(4)	○(+2-AR)	×
CLA15S	○(4)	○(+2-AR)	×

[Bracket Pitch Dimension Chart]

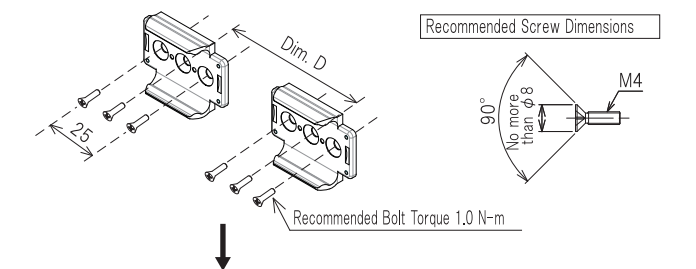
Model Name	Attachement Pitch			Dim. E AS Bracket Total	Dim. F ASB Bracket Total
	Dim. A	Dim. B	Dim. D		
	AR(M) Bracket	AS Bracket	ASB Bracket		
CLA1S	74	135		149	
CLA2S	174	235		249	
CLA3S	274	335	367	349	381
CLA6S	574	635		649	
CLA9S	874	935		949	
CLA12S	1174	1235		1249	
CLA15S	1474	1535		1549	

4. Installation

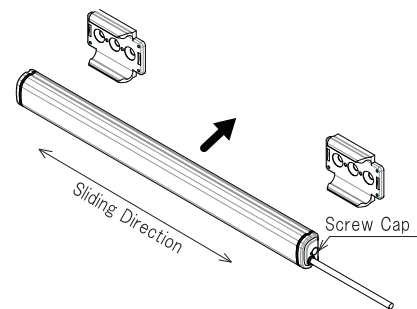
- Warning** [Enforced]
- To prevent from electrocution, disconnect power prior to mounting or performing maintenance.
- Caution** [Enforced]
- Use extra caution to prevent this product from falling when installing.
 - This product is for indoor use only. (Not for outdoor use)
 - The bracket is made of polycarbonate resin. Damage may occur if solvents such as screw locking agents or such adhesives are used.
 - When using the magnet type bracket (SZ-310ARM), be sure to periodically check the position, brightness, etc. It is recommended to use the screw clamp bracket (SZ-310AR) and fix with screws if there is continuous use and the position is frequently in need of adjustment.

■ Installation Procedure

- SZ-310AR(M)**
- After making mounting holes on a flat and sturdy surface, attach the bracket. Referring to the drawing below, install the bracket with M4 flush-mount screws (recommendation : use two screws per bracket). (Refer to the Bracket Pitch Dimension Chart in 「3. Part Names and Dimensions」)
 - ※ For the 9S, 12S, and 15S, please orientate the four brackets. (Refer to the main operation manual for the recommended pitch.)

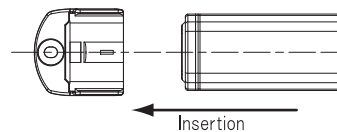


- After the bracket is mounted to a sturdy surface, snap the main unit into place.



- ※ Because this product may slide while being mounted in the vertical direction, use the option bracket SZ-310AS.

SZ-310AS SZ-310ASB



- Firmly snap the main unit into place.
- After making mounting holes on a flat and sturdy surface, install the bracket with M4 screws (Recommended bolt torque: 1.0 N-m). (Refer to the Bracket Pitch Dimension Chart in 「3. Part Names and Dimensions」)
- ※ For the 9S, 12S, and 15S, please orientate the two SZ-310AR brackets included with the product (CLA).
- (Refer to the main operation manual for the recommended pitch.)

5. Specifications

Model Name	SZ-310AR(M)	SZ-310AS	SZ-310ASB
Material	Polycarbonate		
Mass	AR:4.3g ARM:6.1g	4.4g	6.2g
Mounting Direction	Indoor Use Only·Any Direction		
Vibration Resistance	19.6 m/s ² (Not including SZ-310ARM)		
Operating Temperature Range	-40°C to +60°C (No more than 90%RH, No Condensation)		
Applicable Models	CLA Series		
Quantity	2 pcs.		

- Caution**
- Specifications may change without notice due to continual product improvement.