

Header 10X2

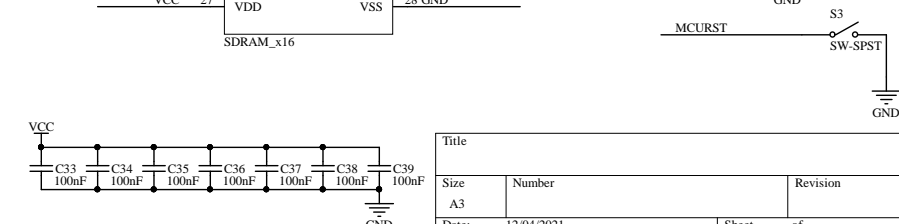
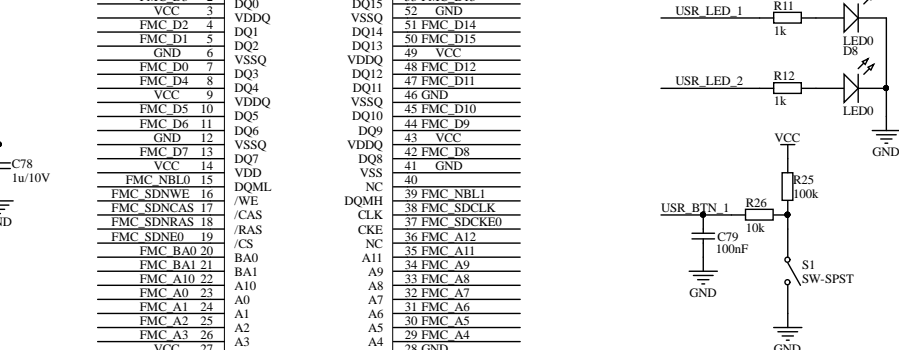
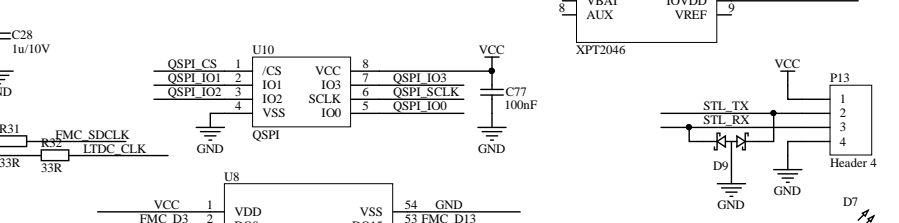
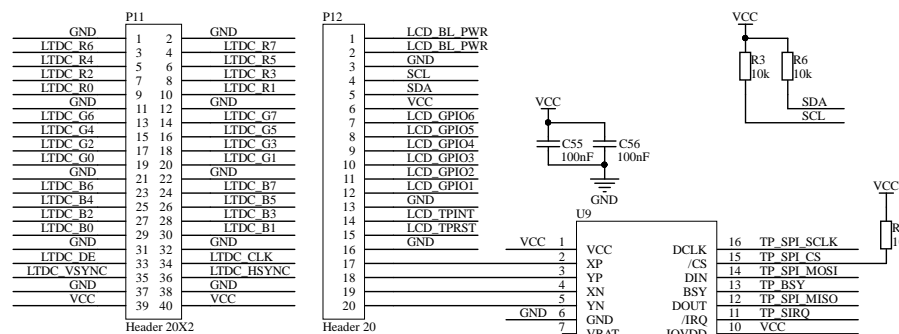
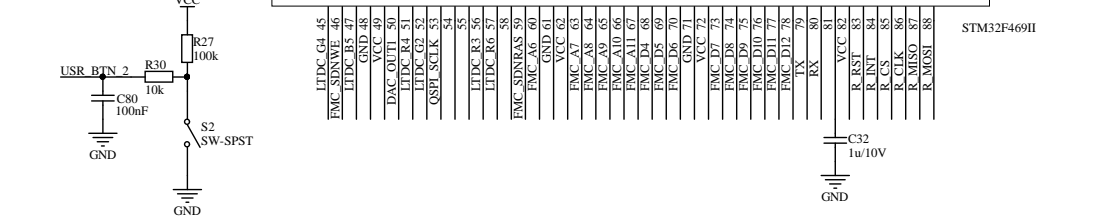
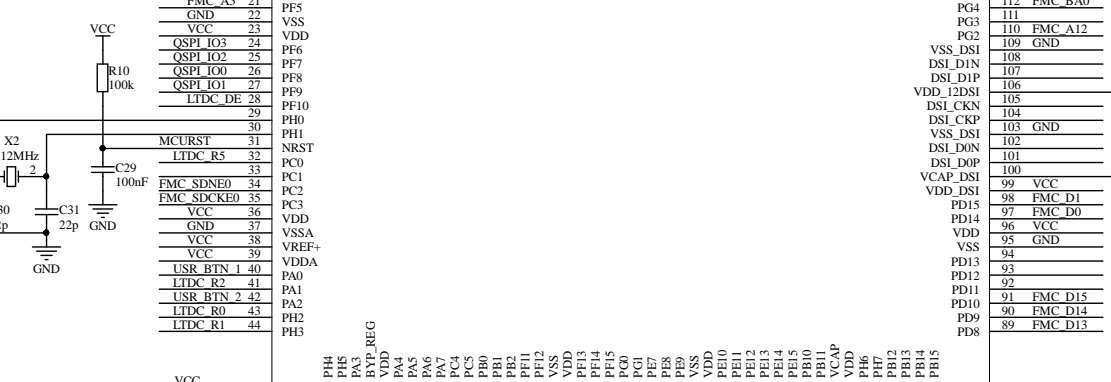
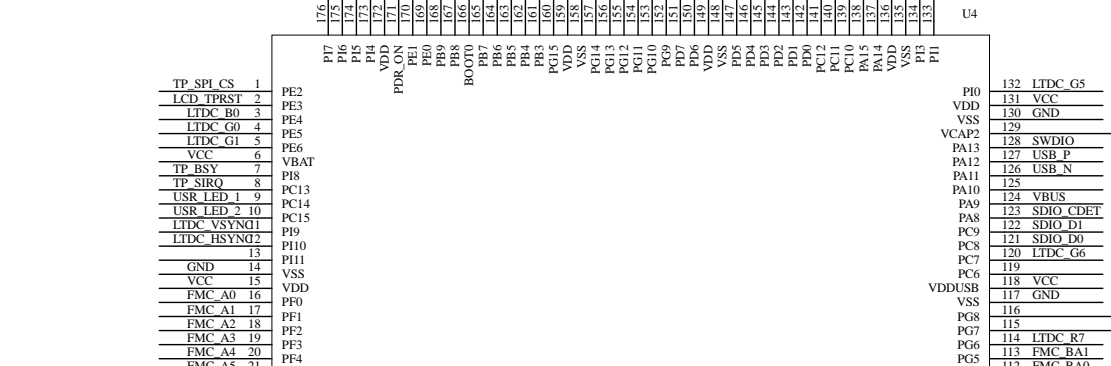
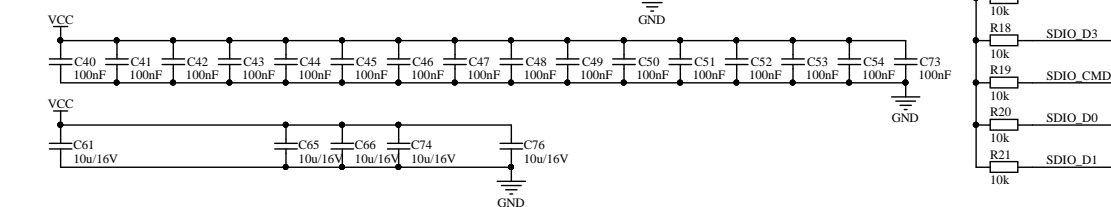
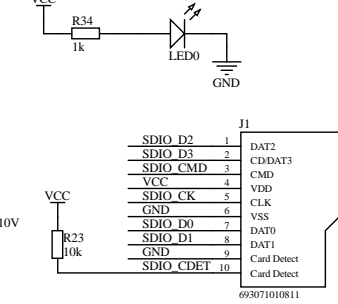
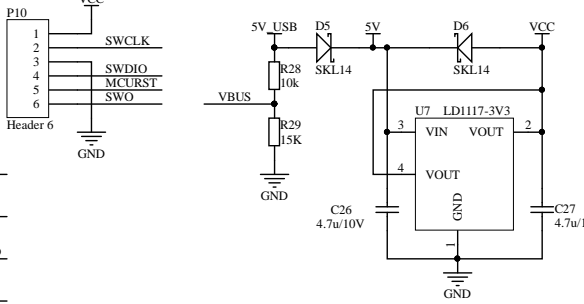
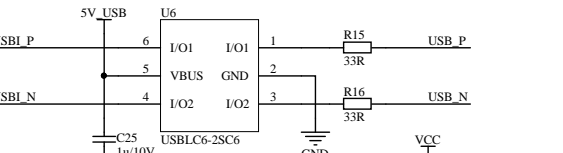
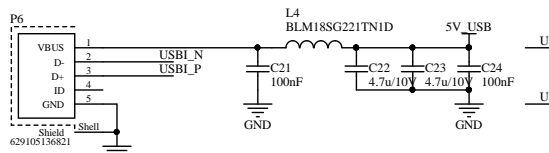
GND	1	2	VCC
RIB_MOSI	3	4	RIB_SCLK
RIB_CS	5	6	RIB_MISO
RIB_RST	7	8	RIB_INT
DAC_OUT1	9	10	
	11	12	
TX	13	14	RX
LCD_BL_PWR	15	16	LCD_BL_PWR
GND	17	18	GND
	19	20	GND

Header 6

1	VCC	1	VDD
2	GND	2	GND
3	RIB_SCLK	3	SPL_SCLK
4	RIB_MISO	4	MISO/IO.1
5	RIB_MOSI	5	MOSI/IO.0
6	RIB_CS	6	CS
	RIB_INT	7	INT
	RIB_RST	8	RST/PD
		9	GPIO.0
	DAC_OUT1	10	DISP_AUDIO
		11	GPIO.1/IO.2
		12	GPIO.2/IO.3
		13	DTR
		14	RST
		15	RX
		16	TX
	LCD_BL_PWR	17	BLVDD
	LCD_BL_PWR	18	BLVDD
	GND	19	BLGND
	GND	20	BLGND

RiBUS - ZIF0520_Master

Title		
Size	Number	Revision
A4		
Date:	12/04/2021	Sheet of
		Drawn By:



Title	Number	Revision
A3		
Date:	12/04/2021	Sheet of
Drawn By:		