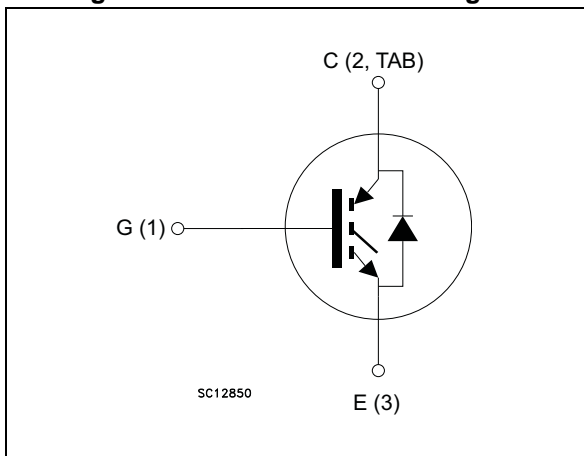


Figure 1. Internal schematic diagram



Features

- High speed switching
- Tight parameters distribution
- Safe paralleling
- Low thermal resistance
- Short-circuit rated
- Ultrafast soft recovery antiparallel diode

Applications

- Motor control
- UPS, PFC

Description

This device is an IGBT developed using an advanced proprietary trench gate and field stop structure. This IGBT series offers the optimum compromise between conduction and switching losses, maximizing the efficiency of very high frequency converters. Furthermore, a positive $V_{CE(sat)}$ temperature coefficient and very tight parameter distribution result in easier paralleling operation.

Table 1. Device summary

Order codes	Marking	Packages	Packaging
STGB7H60DF	GB7H60DF	D ² PAK	Tape and reel
STGF7H60DF	GF7H60DF	TO-220FP	Tube
STGP7H60DF	GP7H60DF	TO-220	Tube

Contents

1	Electrical ratings	3
2	Electrical characteristics	4
2.1	Electrical characteristics (curves)	7
3	Test circuits	14
4	Package information	15
4.1	D ² PAK package information	15
4.2	D ² PAK packing information	18
4.3	TO-220FP package information	20
4.4	TO-220 package information	22
5	Revision history	24

1 Electrical ratings

Table 2. Absolute maximum ratings

Symbol	Parameter	TO-220 D ² PAK	TO-220FP	Unit
V_{CES}	Collector-emitter voltage ($V_{GE} = 0$)	600		V
I_C	Continuous collector current at $T_C = 25\text{ °C}$	14	14 ⁽¹⁾	A
	Continuous collector current at $T_C = 100\text{ °C}$	7	7 ⁽¹⁾	
$I_{CP}^{(2)}$	Pulsed collector current	28	28 ⁽¹⁾	A
V_{GE}	Gate-emitter voltage	±20		V
I_F	Continuous forward current $T_C = 25\text{ °C}$	14	14 ⁽¹⁾	A
	Continuous forward current at $T_C = 100\text{ °C}$	7	7 ⁽¹⁾	
$I_{FP}^{(2)}$	Pulsed forward current	28	28 ⁽¹⁾	A
V_{ISO}	Insulation withstand voltage (RMS) from all three leads to external heat sink ($t = 1\text{ s}$, $T_C = 25\text{ °C}$)		2500	V
P_{TOT}	Total dissipation at $T_C = 25\text{ °C}$	88	24	W
T_{STG}	Storage temperature range	- 55 to 150		°C
T_J	Operating junction temperature	- 55 to 175		

1. Limited by maximum junction temperature.
2. Pulse width limited by maximum junction temperature.

Table 3. Thermal data

Symbol	Parameter	TO-220 D ² PAK	TO-220FP	Unit
R_{thJC}	Thermal resistance junction-case IGBT	1.7	6.2	°C/W
R_{thJC}	Thermal resistance junction-case diode	2.8	6.25	°C/W
R_{thJA}	Thermal resistance junction-ambient	62.5		°C/W

2 Electrical characteristics

$T_J = 25\text{ °C}$ unless otherwise specified.

Table 4. Static

Symbol	Parameter	Test conditions	Min.	Typ.	Max.	Unit
$V_{(BR)CES}$	Collector-emitter breakdown voltage ($V_{GE} = 0\text{ V}$)	$I_C = 2\text{ mA}$	600			V
$V_{CE(sat)}$	Collector-emitter saturation voltage	$V_{GE} = 15\text{ V}, I_C = 7\text{ A}$		1.5	1.95	V
		$V_{GE} = 15\text{ V}, I_C = 7\text{ A}$ $T_J = 125\text{ °C}$		1.6		
		$V_{GE} = 15\text{ V}, I_C = 7\text{ A}$ $T_J = 175\text{ °C}$		1.7		
$V_{GE(th)}$	Gate threshold voltage	$V_{CE} = V_{GE}, I_C = 250\text{ }\mu\text{A}$	4.8	6.2	6.9	V
I_{CES}	Collector cut-off current ($V_{GE} = 0\text{ V}$)	$V_{CE} = 600\text{ V}$			25	μA
I_{GES}	Gate-emitter leakage current ($V_{CE} = 0\text{ V}$)	$V_{GE} = \pm 20\text{ V}$			250	nA

Table 5. Dynamic

Symbol	Parameter	Test conditions	Min.	Typ.	Max.	Unit
C_{ies}	Input capacitance	$V_{CE} = 25\text{ V}, f = 1\text{ MHz},$ $V_{GE} = 0\text{ V}$	-	1050	-	pF
C_{oes}	Output capacitance		-	51	-	
C_{res}	Reverse transfer capacitance		-	23	-	
Q_g	Total gate charge	$V_{CC} = 480\text{ V}, I_C = 7\text{ A},$ $V_{GE} = 15\text{ V}$	-	46	-	nC
Q_{ge}	Gate-emitter charge		-	7	-	
Q_{gc}	Gate-collector charge		-	21	-	

Table 6. Switching characteristics (inductive load)

Symbol	Parameter	Test conditions	Min.	Typ.	Max.	Unit
$t_{d(on)}$	Turn-on delay time	$V_{CE} = 400\text{ V}$, $I_C = 7\text{ A}$, $R_G = 47\ \Omega$, $V_{GE} = 15\text{ V}$	-	30	-	ns
t_r	Current rise time		-	12.2	-	ns
$(di/dt)_{on}$	Turn-on current slope		-	459	-	A/ μ s
$t_{d(on)}$	Turn-on delay time	$V_{CE} = 400\text{ V}$, $I_C = 7\text{ A}$, $R_G = 47\ \Omega$, $V_{GE} = 15\text{ V}$ $T_J = 175\text{ }^\circ\text{C}$	-	30	-	ns
t_r	Current rise time		-	12.8	-	ns
$(di/dt)_{on}$	Turn-on current slope		-	440	-	A/ μ s
$t_{r(Voff)}$	Off voltage rise time	$V_{CE} = 400\text{ V}$, $I_C = 7\text{ A}$, $R_G = 47\ \Omega$, $V_{GE} = 15\text{ V}$	-	24	-	ns
$t_{d(off)}$	Turn-off delay time		-	160	-	
t_f	Current fall time		-	69	-	
$t_{r(Voff)}$	Off voltage rise time	$V_{CE} = 400\text{ V}$, $I_C = 7\text{ A}$, $R_G = 47\ \Omega$, $V_{GE} = 15\text{ V}$ $T_J = 175\text{ }^\circ\text{C}$	-	31	-	ns
$t_{d(off)}$	Turn-off delay time		-	164	-	
t_f	Current fall time		-	99	-	
t_{sc}	Short-circuit withstand time	$V_{CC} \leq 360\text{ V}$, $V_{GE} = 15\text{ V}$, $R_G = 47\ \Omega$	-	5	-	μ s

Table 7. Switching energy (inductive load)

Symbol	Parameter	Test conditions	Min.	Typ.	Max.	Unit
$E_{on}^{(1)}$	Turn-on switching losses	$V_{CE} = 400\text{ V}$, $I_C = 7\text{ A}$, $R_G = 47\ \Omega$, $V_{GE} = 15\text{ V}$	-	99	-	μ J
$E_{off}^{(2)}$	Turn-off switching losses		-	100	-	
E_{ts}	Total switching losses		-	199	-	
$E_{on}^{(1)}$	Turn-on switching losses	$V_{CE} = 400\text{ V}$, $I_C = 7\text{ A}$, $R_G = 47\ \Omega$, $V_{GE} = 15\text{ V}$ $T_J = 175\text{ }^\circ\text{C}$	-	202	-	μ J
$E_{off}^{(2)}$	Turn-off switching losses		-	149	-	
E_{ts}	Total switching losses		-	351	-	

1. Energy losses include reverse recovery of the diode.
2. Turn-off losses include also the tail of the collector current.

Table 8. Collector-emitter diode

Symbol	Parameter	Test conditions	Min.	Typ.	Max.	Unit
V_F	Forward on-voltage	$I_F = 7\text{ A}$	-	1.5	2.1	V
		$I_F = 7\text{ A}, T_J = 175\text{ °C}$		1.15		
t_{rr}	Reverse recovery time	$V_{CC} = 400\text{ V}; I_F = 7\text{ A};$ $di_F/dt = 100\text{ A}/\mu\text{s}$	-	136		ns
Q_{rr}	Reverse recovery charge		-	104		nC
I_{rrm}	Reverse recovery current		-	2.25		A
t_{rr}	Reverse recovery time	$V_{CC} = 400\text{ V}; I_F = 7\text{ A};$ $di_F/dt = 100\text{ A}/\mu\text{s}$ $T_J = 175\text{ °C}$	-	154		ns
Q_{rr}	Reverse recovery charge		-	388		nC
I_{rrm}	Reverse recovery current		-	4.6		A

2.1 Electrical characteristics (curves)

Figure 2. Power dissipation vs. case temperature for D²PAK and TO-220

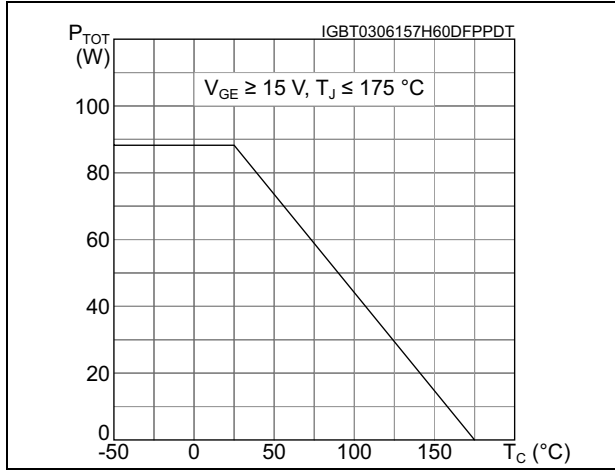


Figure 3. Collector current vs. case temperature for D²PAK and TO-220

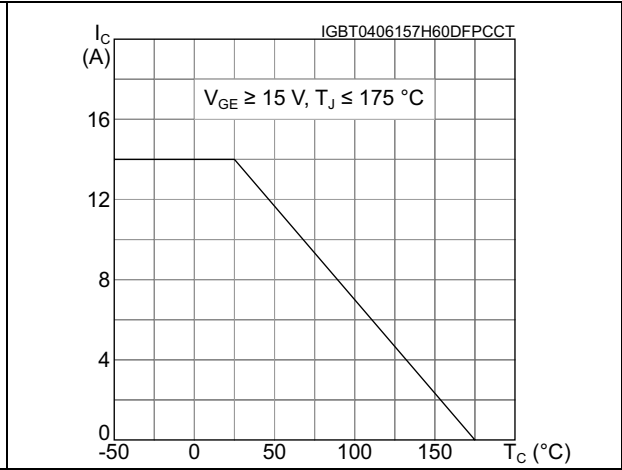


Figure 4. Power dissipation vs. case temperature for TO-220FP

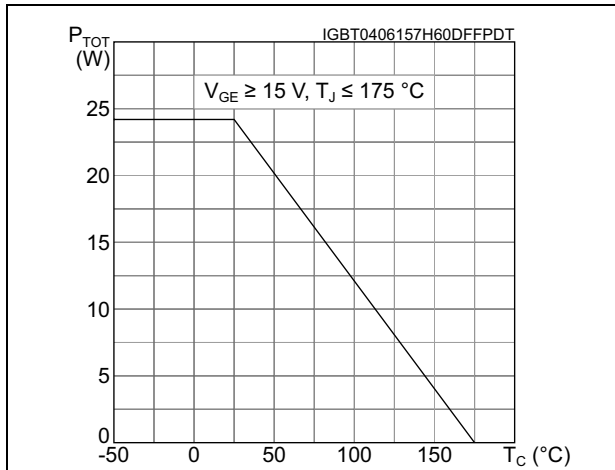


Figure 5. Collector current vs. case temperature for TO-220FP

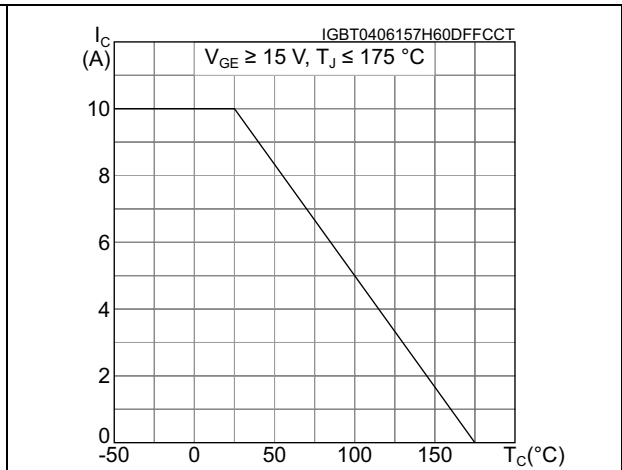


Figure 6. Output characteristics ($T_J = 25$ °C)

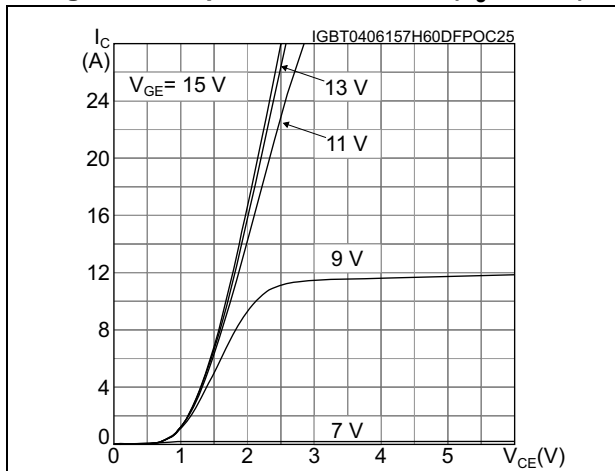


Figure 7. Output characteristics ($T_J = 175$ °C)

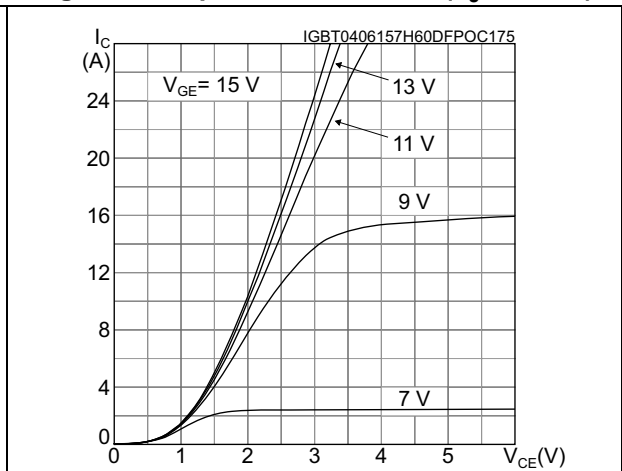


Figure 8. $V_{CE(sat)}$ vs. junction temperature

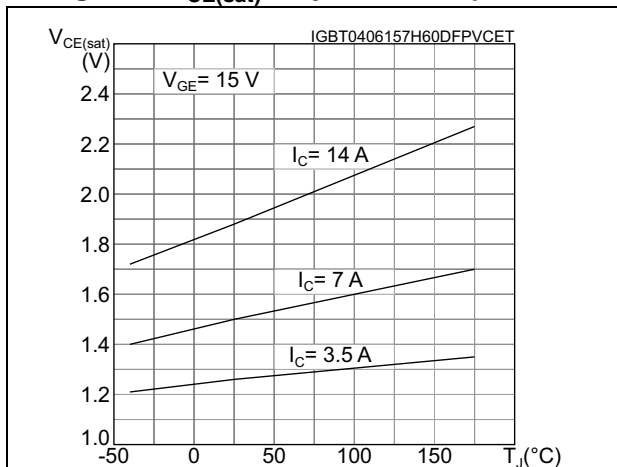


Figure 9. $V_{CE(sat)}$ vs. collector current

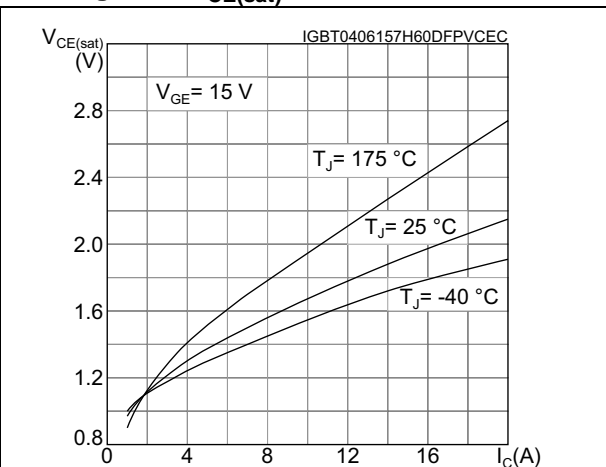


Figure 10. Collector current vs. switching frequency for D²PAK and TO-220

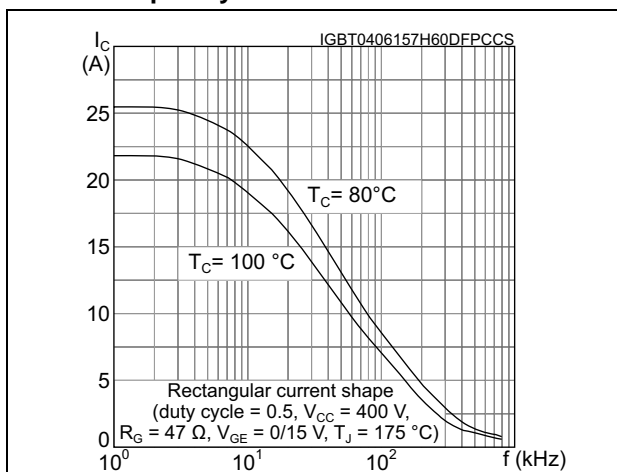


Figure 11. Collector current vs. switching frequency for TO-220FP

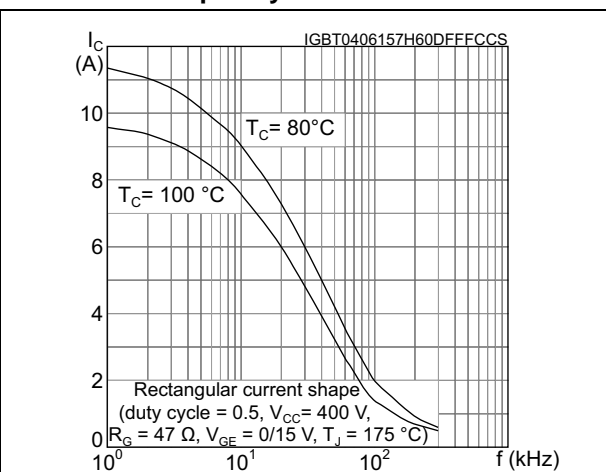


Figure 12. Forward bias safe operating area for D²PAK and TO-220

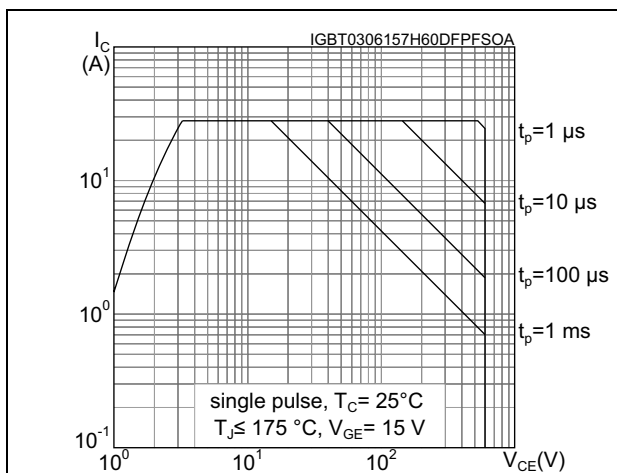


Figure 13. Forward bias safe operating area for TO-220FP

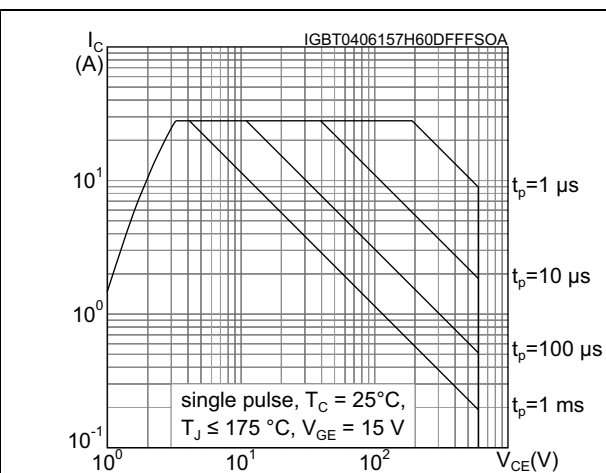


Figure 14. Transfer characteristics

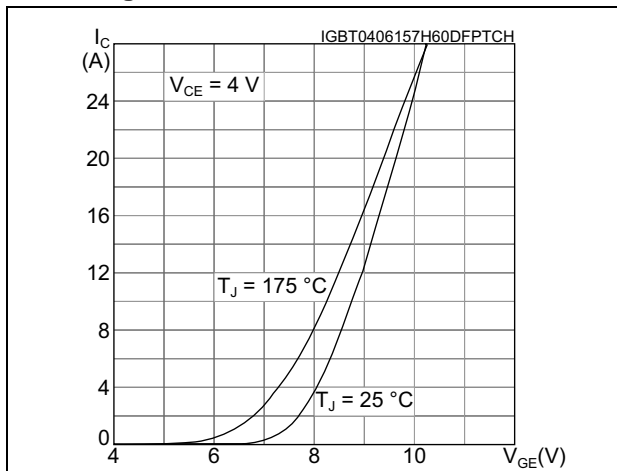


Figure 15. Diode VF vs. forward current

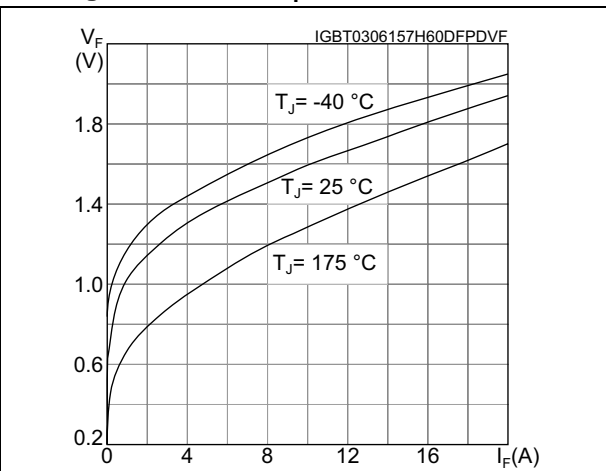


Figure 16. Normalized VGE(th) vs. junction temperature

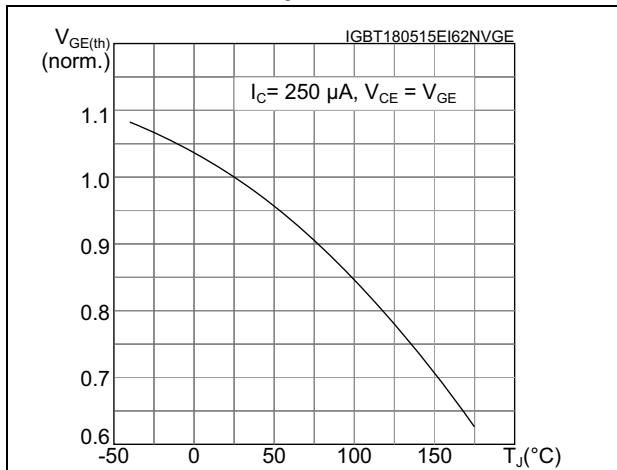


Figure 17. Normalized VBR(CES) vs. junction temperature

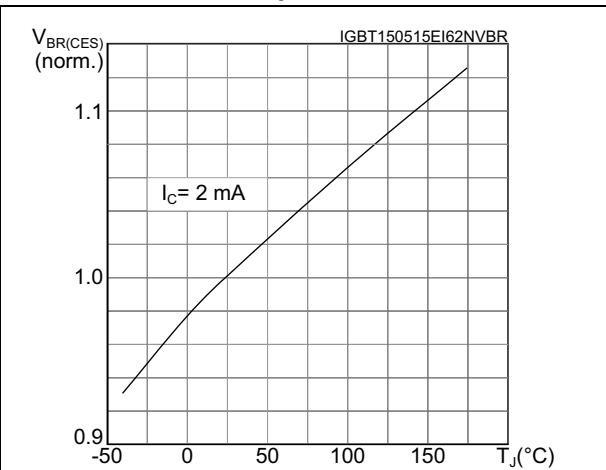


Figure 18. Capacitance variation

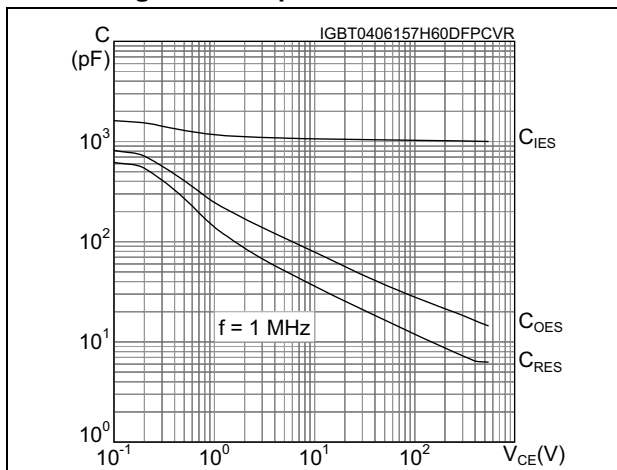


Figure 19. Gate charge vs. gate-emitter voltage

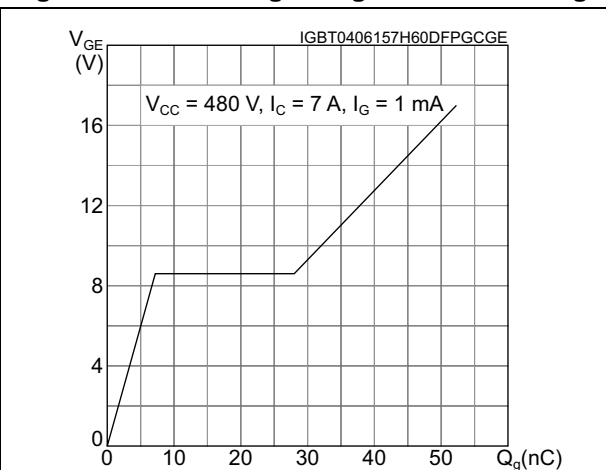


Figure 20. Switching loss vs. collector current

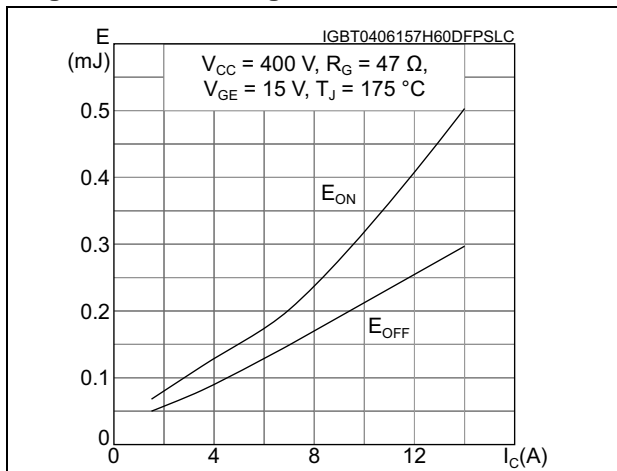


Figure 21. Switching loss vs. gate resistance

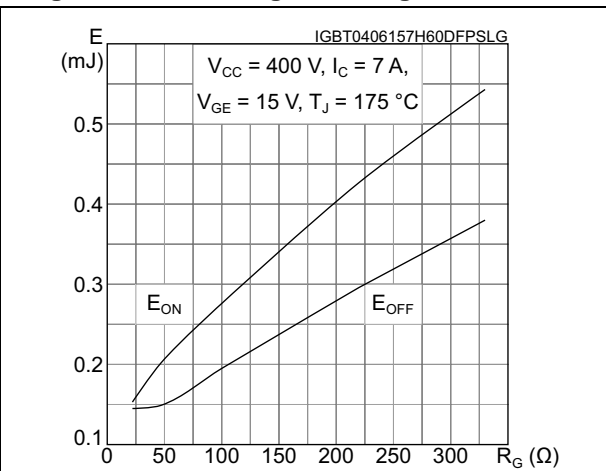


Figure 22. Switching loss vs. temperature

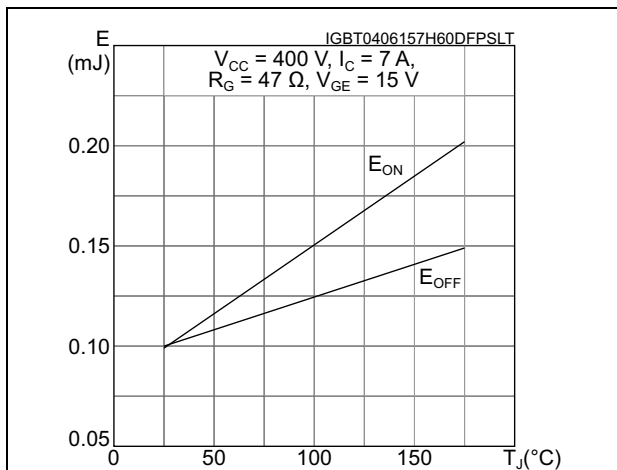


Figure 23. Switching loss vs. collector-emitter voltage

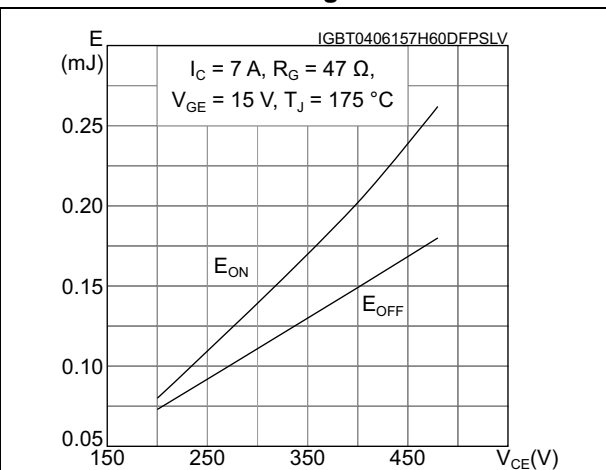


Figure 24. Short circuit time and current vs. Vge

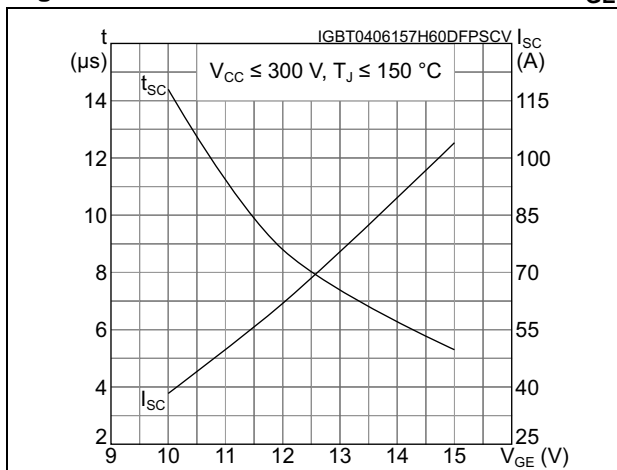


Figure 25. Switching times vs. collector current

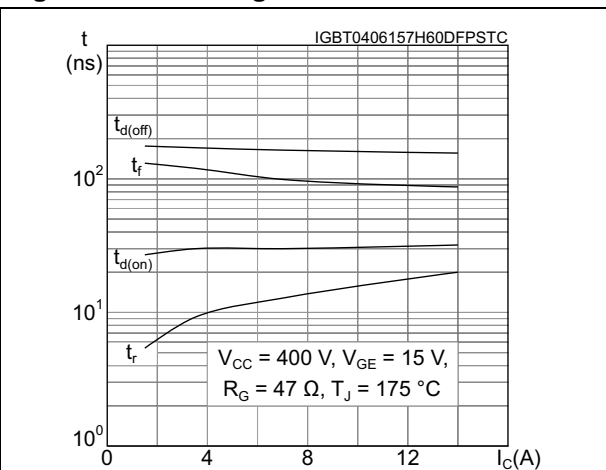


Figure 26. Switching times vs. gate resistance

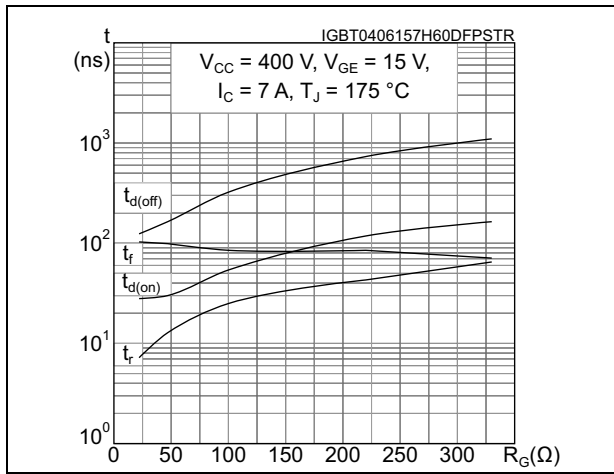


Figure 27. Reverse recovery current vs. diode current slope

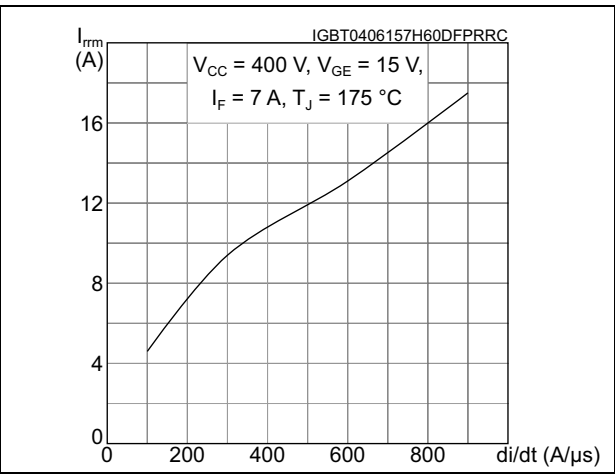


Figure 28. Reverse recovery time vs. diode current slope

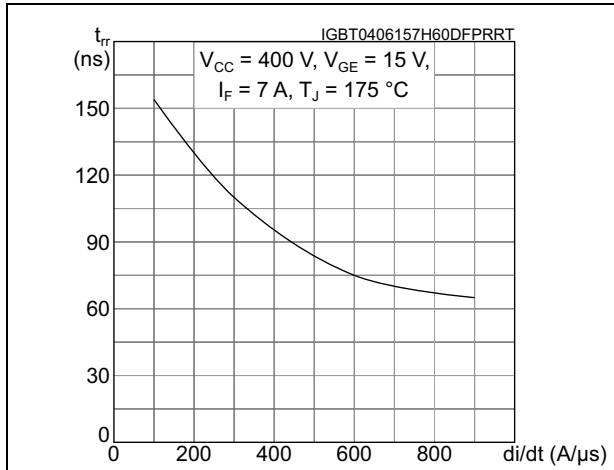


Figure 29. Reverse recovery charge vs. diode current slope

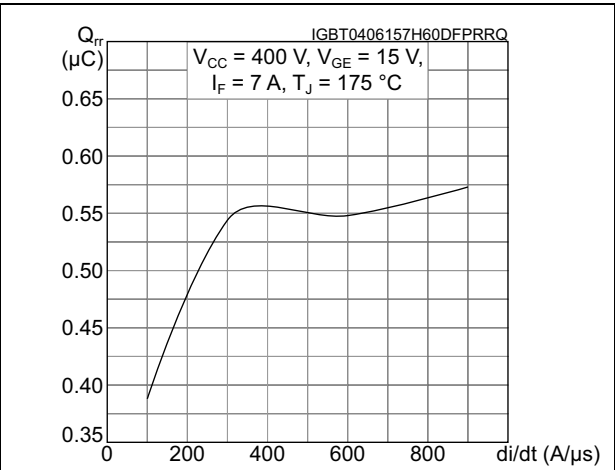


Figure 30. Reverse recovery energy vs. diode current slope

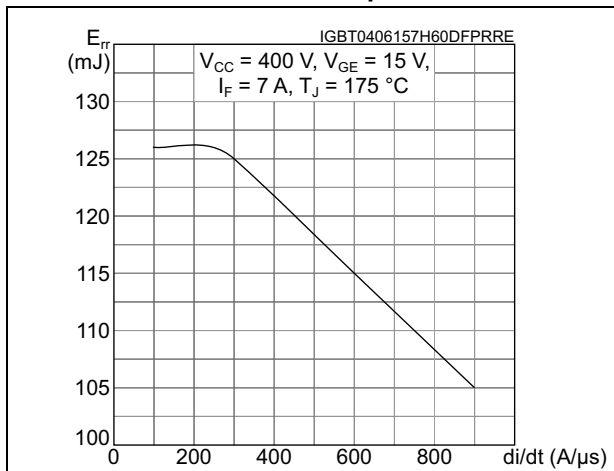


Figure 31. Thermal impedance for D²PAK and TO-220 IGBT

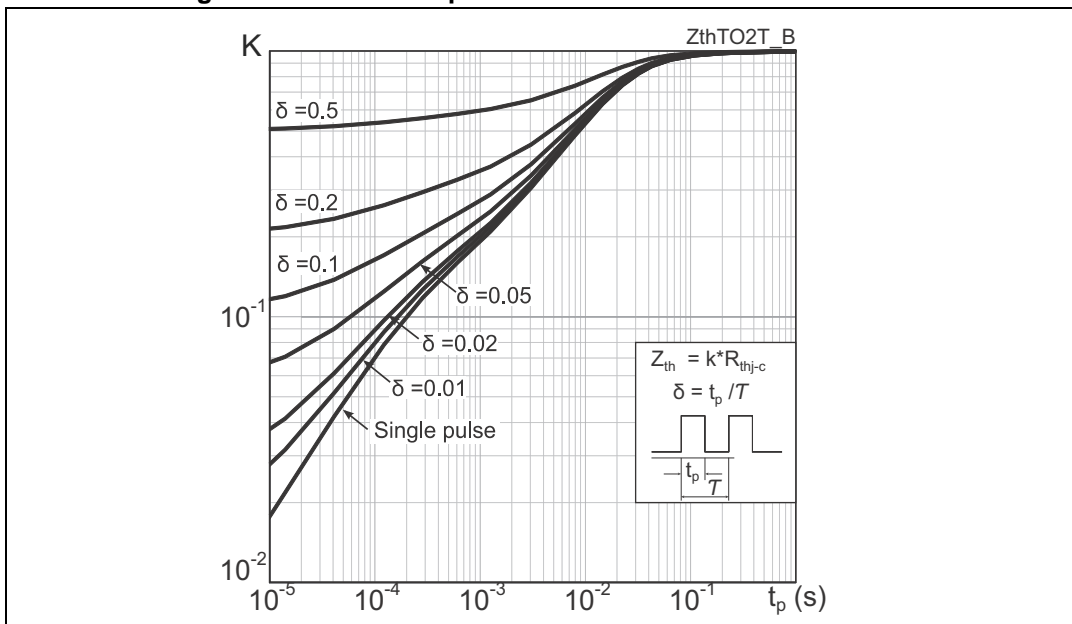


Figure 32. Thermal impedance for D²PAK and TO-220 diode

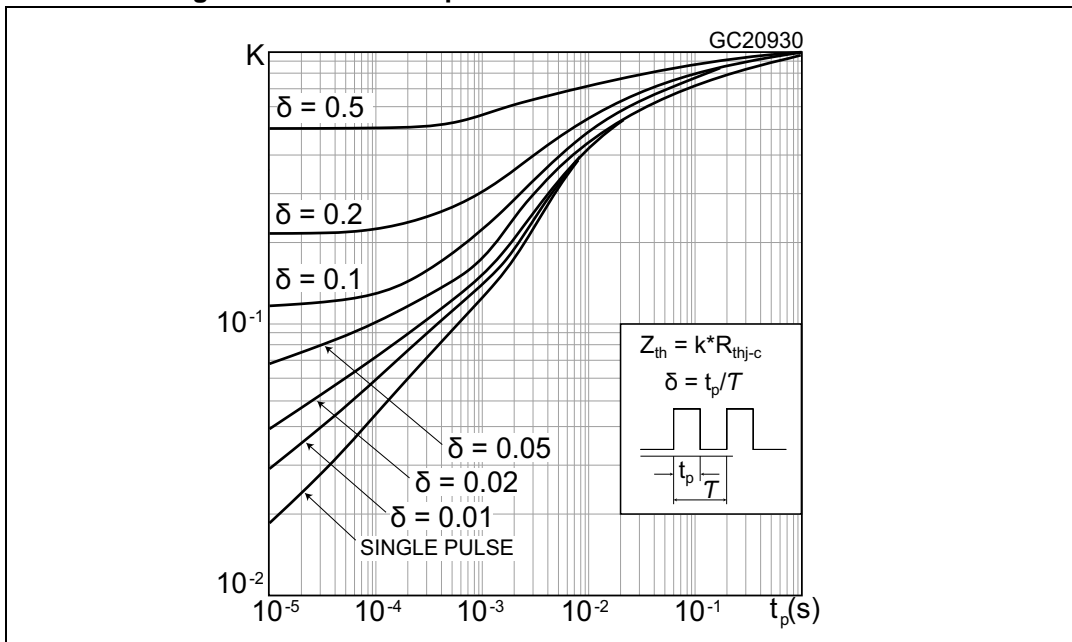


Figure 33. Thermal impedance for TO-220FP IGBT

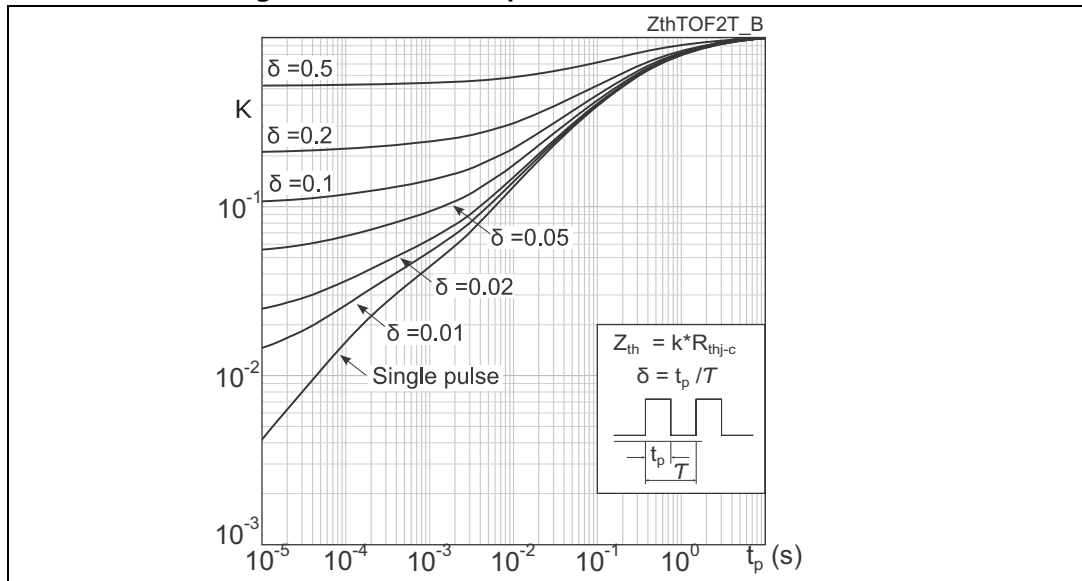
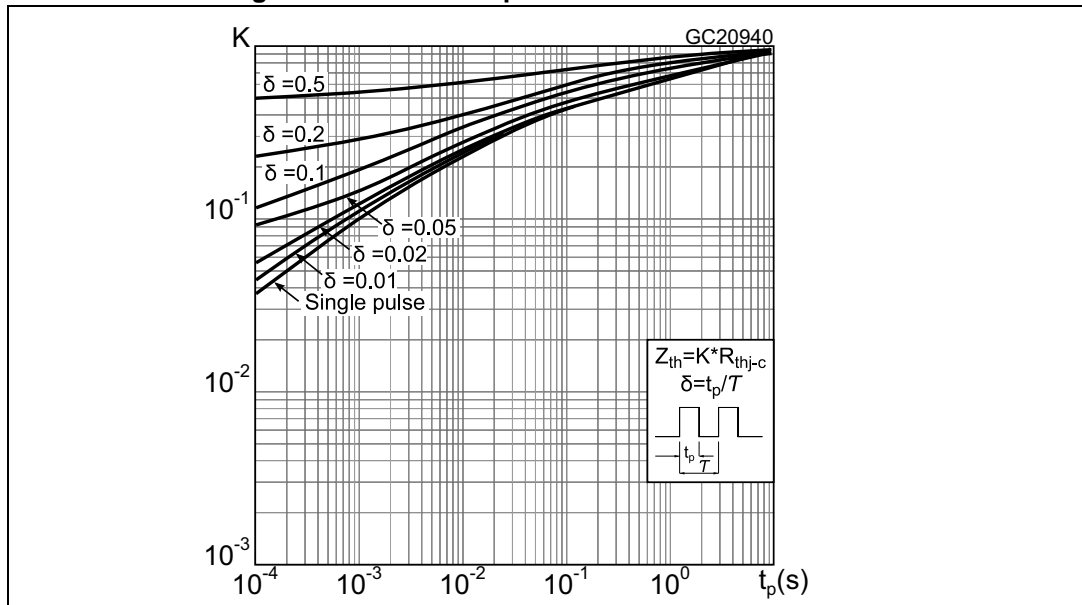


Figure 34. Thermal impedance for TO-220FP diode



3 Test circuits

Figure 35. Test circuit for inductive load switching

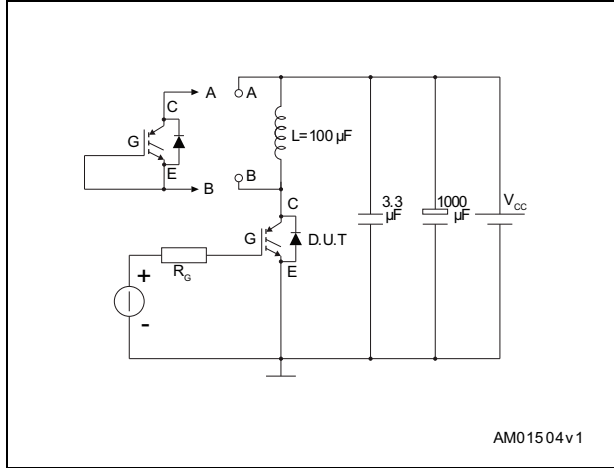


Figure 36. Gate charge test circuit

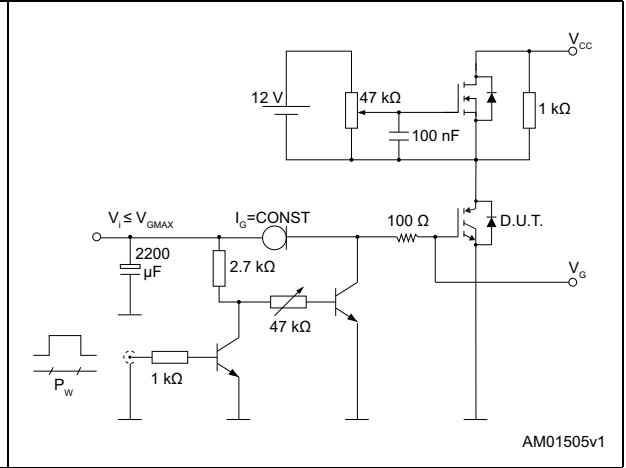


Figure 37. Switching waveform

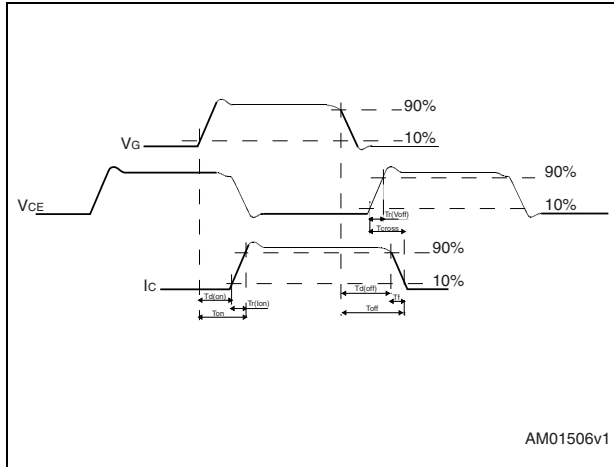


Figure 38. Diode reverse recovery waveform

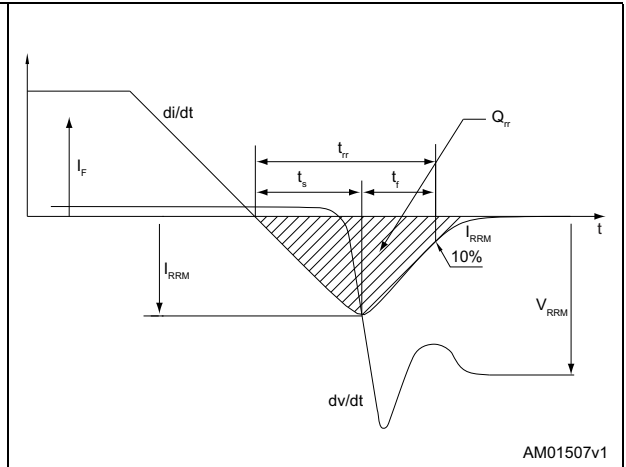
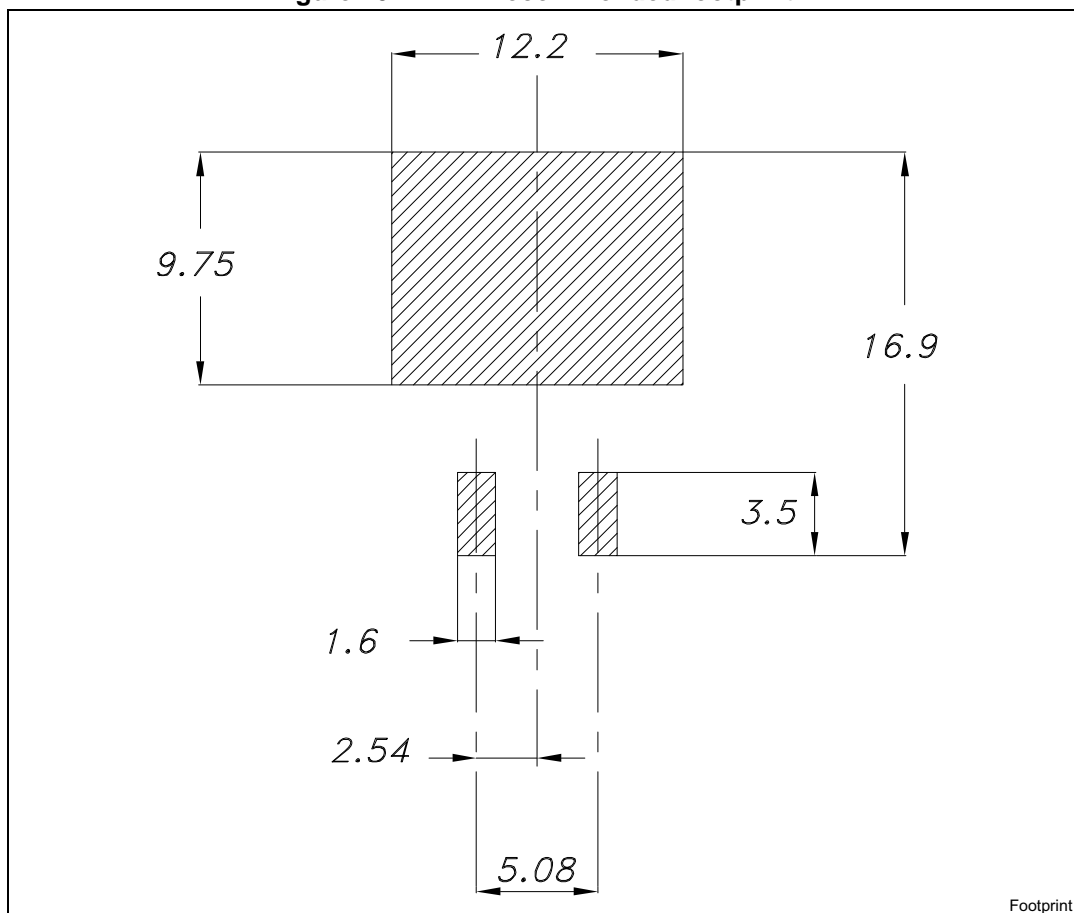


Table 9. D²PAK (TO-263) type A mechanical data

Dim.	mm		
	Min.	Typ.	Max.
A	4.40		4.60
A1	0.03		0.23
b	0.70		0.93
b2	1.14		1.70
c	0.45		0.60
c2	1.23		1.36
D	8.95		9.35
D1	7.50	7.75	8.00
D2	1.10	1.30	1.50
E	10		10.40
E1	8.50	8.70	8.90
E2	6.85	7.05	7.25
e		2.54	
e1	4.88		5.28
H	15		15.85
J1	2.49		2.69
L	2.29		2.79
L1	1.27		1.40
L2	1.30		1.75
R		0.4	
V2	0°		8°

Figure 40. D²PAK recommended footprint^(a)



a. All dimension are in millimeters

4.2 D²PAK packing information

Figure 41. D²PAK tape outline

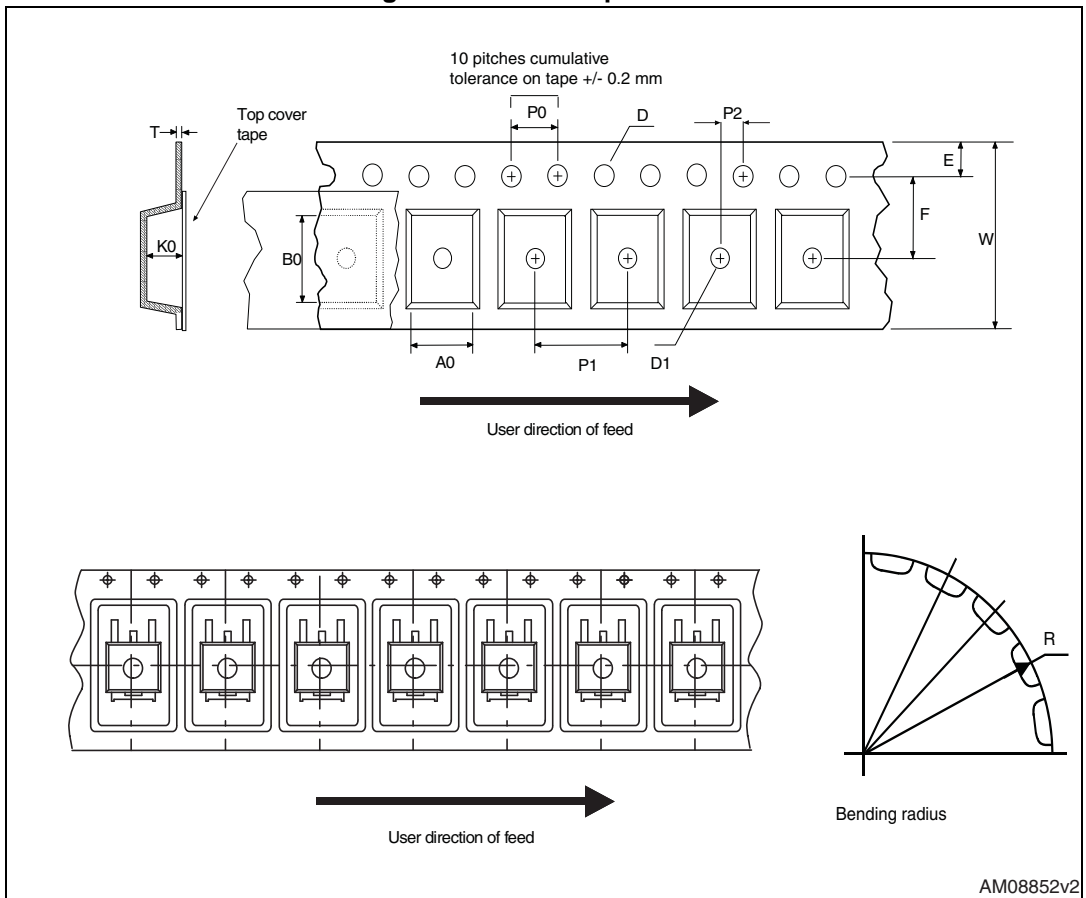
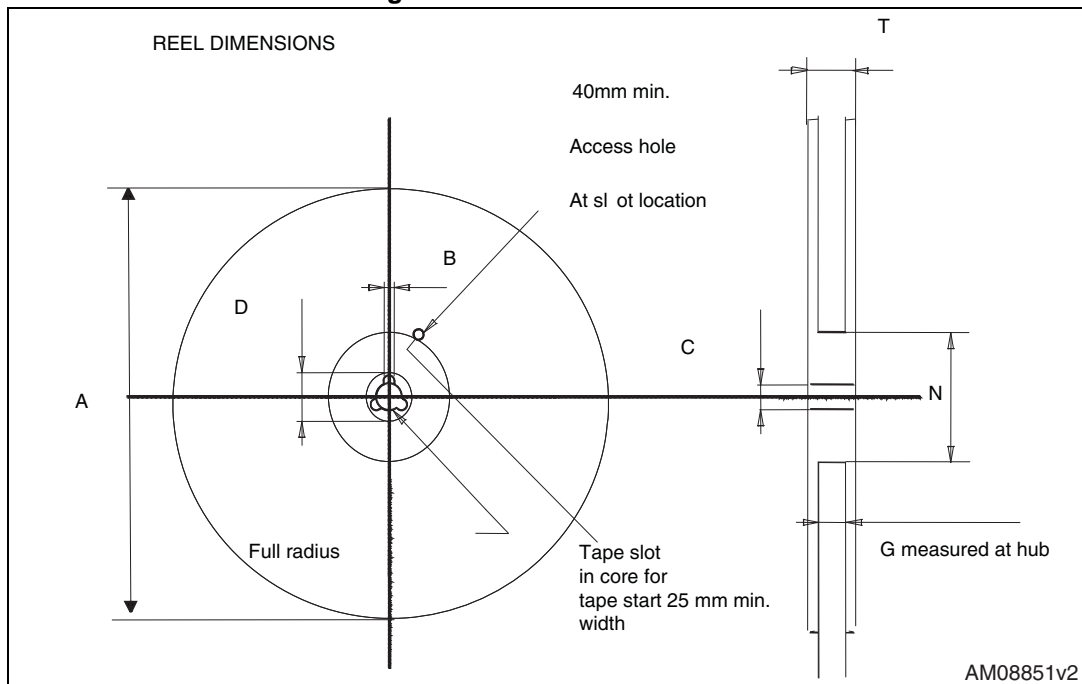


Figure 42. D²PAK reel outline



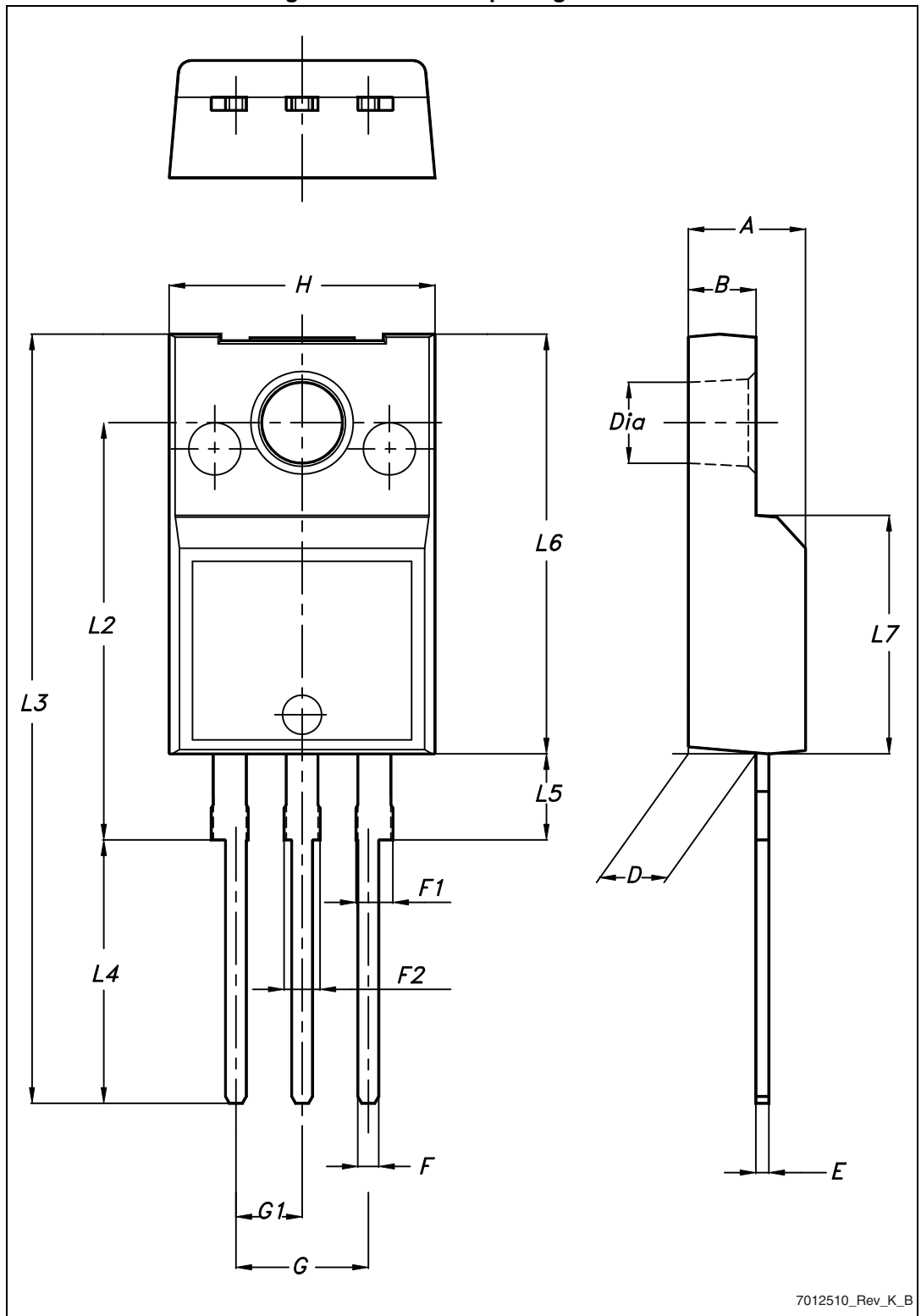
AM08851v2

Table 10. D²PAK tape and reel mechanical data

Tape			Reel		
Dim.	mm		Dim.	mm	
	Min.	Max.		Min.	Max.
A0	10.5	10.7	A		330
B0	15.7	15.9	B	1.5	
D	1.5	1.6	C	12.8	13.2
D1	1.59	1.61	D	20.2	
E	1.65	1.85	G	24.4	26.4
F	11.4	11.6	N	100	
K0	4.8	5.0	T		30.4
P0	3.9	4.1			
P1	11.9	12.1		Base qty	1000
P2	1.9	2.1		Bulk qty	1000
R	50				
T	0.25	0.35			
W	23.7	24.3			

4.3 TO-220FP package information

Figure 43. TO-220FP package outline



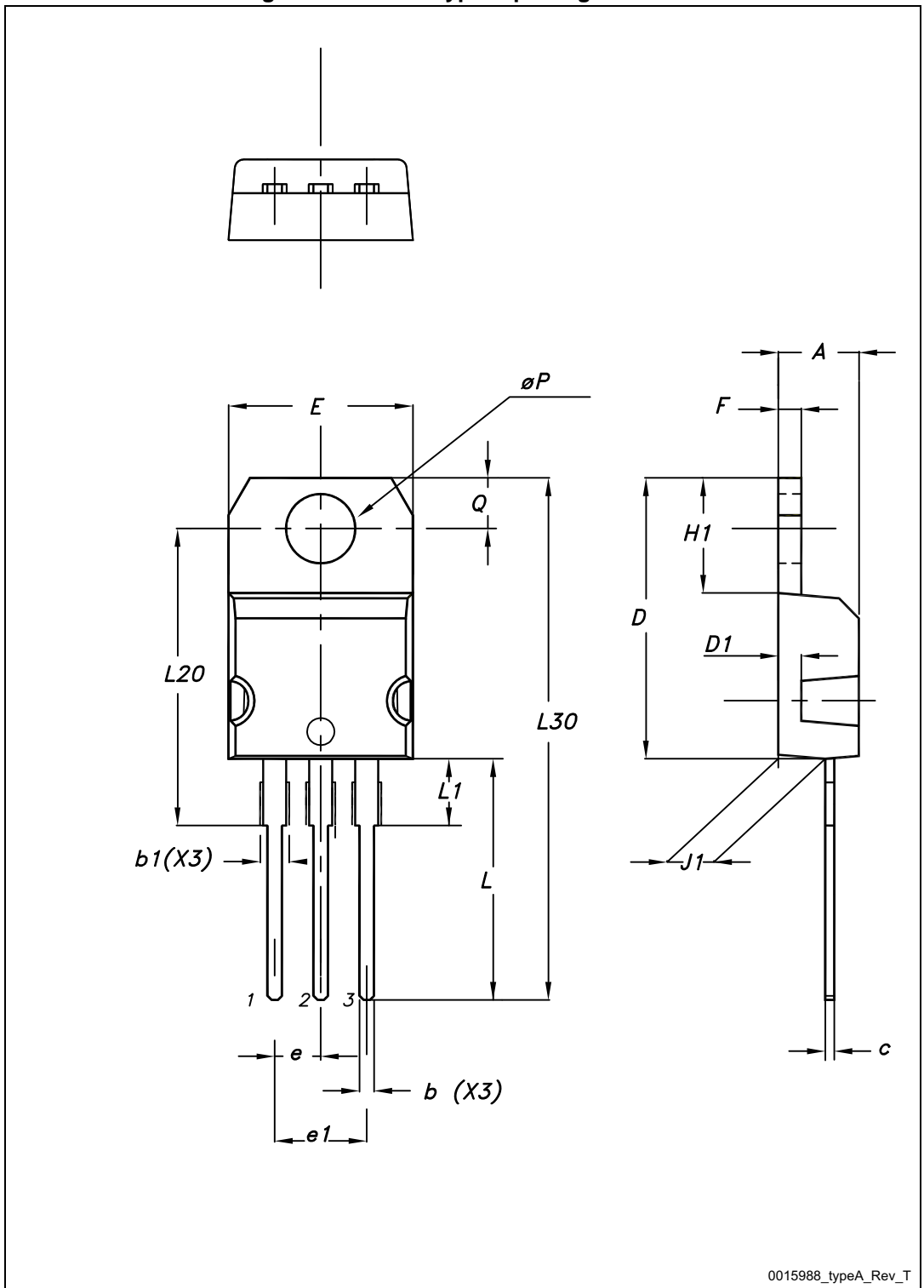
7012510_Rev_K_B

Table 11. TO-220FP package mechanical data

Dim.	mm		
	Min.	Typ.	Max.
A	4.4		4.6
B	2.5		2.7
D	2.5		2.75
E	0.45		0.7
F	0.75		1
F1	1.15		1.70
F2	1.15		1.70
G	4.95		5.2
G1	2.4		2.7
H	10		10.4
L2		16	
L3	28.6		30.6
L4	9.8		10.6
L5	2.9		3.6
L6	15.9		16.4
L7	9		9.3
Dia	3		3.2

4.4 TO-220 package information

Figure 44. TO-220 type A package outline



0015988_typeA_Rev_T

Table 12. TO-220 type A package mechanical data

Dim.	mm		
	Min.	Typ.	Max.
A	4.40		4.60
b	0.61		0.88
b1	1.14		1.70
c	0.48		0.70
D	15.25		15.75
D1		1.27	
E	10		10.40
e	2.40		2.70
e1	4.95		5.15
F	1.23		1.32
H1	6.20		6.60
J1	2.40		2.72
L	13		14
L1	3.50		3.93
L20		16.40	
L30		28.90	
ØP	3.75		3.85
Q	2.65		2.95

5 Revision history

Table 13. Document revision history

Date	Revision	Changes
24-Feb-2015	1	Initial release.
05-Jun-2015	2	Text and formatting changes throughout document In Section 1: Electrical ratings - updated Table 3 In Section 2: Electrical characteristics - updated Table 4 , Table 5 , Table 6 , Table 7 and Table 8 - added Section 2.1: Electrical characteristics (curves)

IMPORTANT NOTICE – PLEASE READ CAREFULLY

STMicroelectronics NV and its subsidiaries ("ST") reserve the right to make changes, corrections, enhancements, modifications, and improvements to ST products and/or to this document at any time without notice. Purchasers should obtain the latest relevant information on ST products before placing orders. ST products are sold pursuant to ST's terms and conditions of sale in place at the time of order acknowledgement.

Purchasers are solely responsible for the choice, selection, and use of ST products and ST assumes no liability for application assistance or the design of Purchasers' products.

No license, express or implied, to any intellectual property right is granted by ST herein.

Resale of ST products with provisions different from the information set forth herein shall void any warranty granted by ST for such product.

ST and the ST logo are trademarks of ST. All other product or service names are the property of their respective owners.

Information in this document supersedes and replaces information previously supplied in any prior versions of this document.

© 2015 STMicroelectronics – All rights reserved