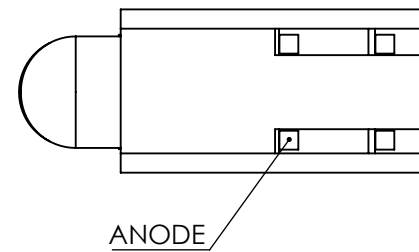
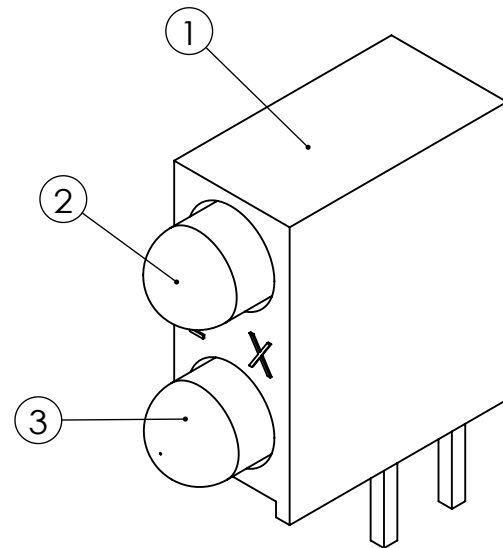
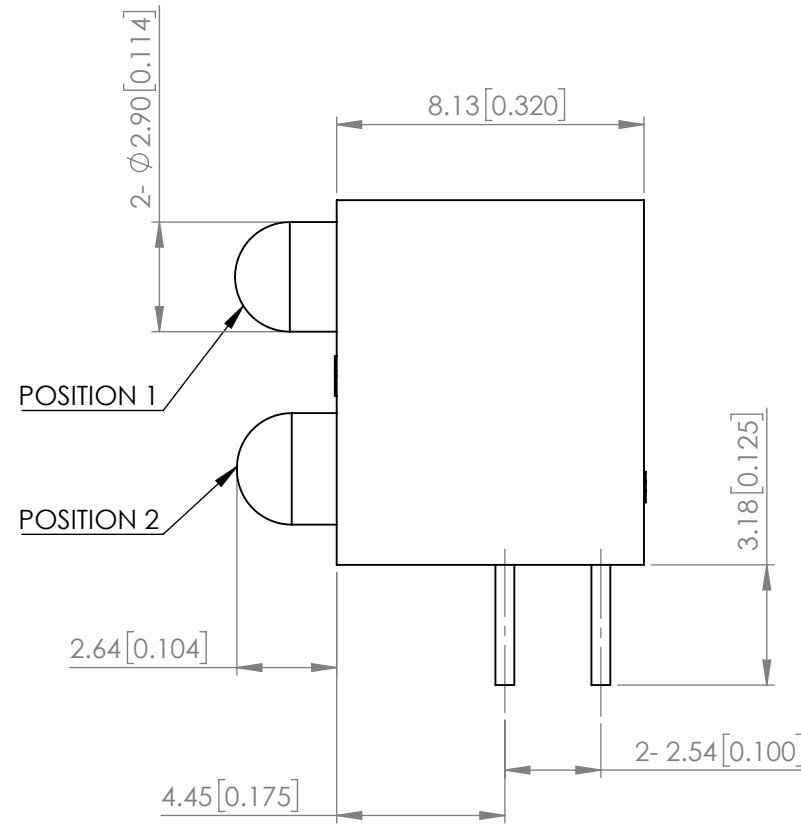
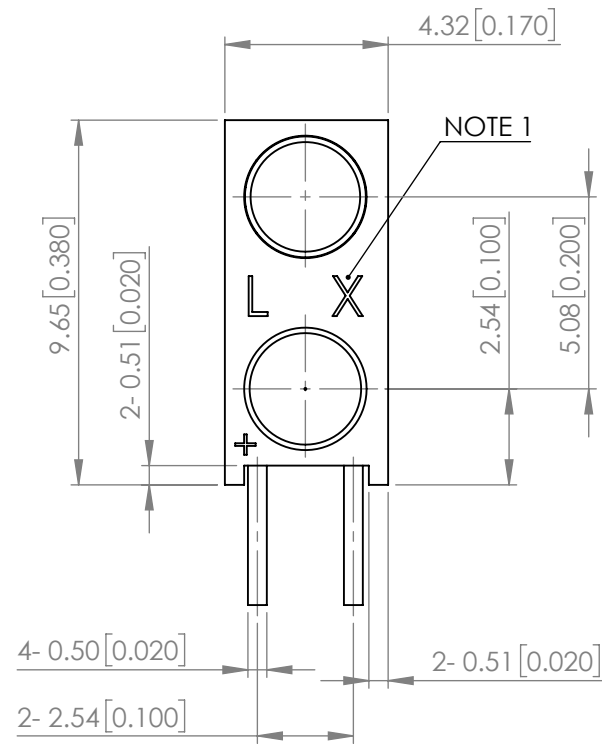


PART NUMBER		SSF-LXH240IGD	REV	A
REV	E.C.N. NUMBER AND REVISION COMMENTS		DATE	
A	ECN-Lumex201800113		06.25.18	



NOTE:
1."L X" OR "LUMEX"

ELECTRO-OPTICAL CHARACTERISTIC TA=25°C

PARAMETER	MIN	TYP	MAX	UNITS	TEST COND
PEAK WAVELENGTH	R	630	-	nm	If=10mA
	G	565	-		
FORWARD VOLTAGE	R	1.9	2.2	Vf	If=10mA
	G	2.0	2.4		
REVERSE CURRENT	-	-	10	uA	VR=5V
LUMINOUS INTENSITY	R	20	-	mcd	If=10mA
	G	25	-		
VIEWING ANGLE	-	50	-	2x theta1/2	-
EMITTED COLOR	POSITION 1: RED / POSITION 2: GREEN				
EPOXY LENS FINISH	RED DIFFUSED / GREEN DIFFUSED				

ABSOLUTE MAXIMUM RATINGS TA=25°C


PARAMETER	MAX	UNITS
PEAK FORWARD CURRENT (R/G)*	160 / 140	mA
FORWARD CURRENT (R/G)	30 / 25	mA
REVERSE VOLTAGE (R/G)	5	V
POWER DISSIPATION (R/G)	66 / 60	mW
STORAGE TEMPERATURE	-40 TO +85	°C
OPERATING TEMPERATURE	-40 TO +85	°C
SOLDERING TEMP.	3 SEC. MAX @ 260	°C

* t<10us

** 2.00mm FROM BODY

ITEM NO.	PARTS	QTY.	DESCRIPTION
1	SSH-LXH240 HOLDER	1	BLACK NYLON 94V-0
2	SSL-LX3044ID	1	RED LED
3	SSL-LX3044GD	1	GREEN LED

*UNLESS OTHERWISE SPECIFIED TOLERANCES PER DECIMAL PRECISION ARE: X=±1 (±0.039), X.X=±0.5 (±0.020), X.XX=±0.25 (±0.010), X.XXX=±0.127 (±0.005). LEAD SIZE=±0.05 (±0.002), LEAD LENGTH=±0.75 (±0.030). MIN= ^{+DECIMAL PRECISION}/_{-0.00} MAX.= ^{+0.00}/_{-DECIMAL PRECISION}

 <p>425 N. GARY AVE. CAROL STREAM, IL 60188 PHONE : 800-278-5666 FAX : 630-315-2150 WEB : WWW.LUMEX.COM</p>	9.65(L)*4.32(W)*10.77(H)mm, T-3mm(T-1) RIGHT ANGLE FAULT INDICATOR LED, GaAsP/GaP 630nm RED / GaP 565nm GREEN LED, RED DIFFUSED / GREEN DIFFUSED.	DATE : 2018.06.25	DRAWN BY : C.C.
	THE SPECIFICATIONS MAY CHANGE AT ANY TIME WITHOUT NOTICE DUE TO NEW MATERIALS OR PRODUCT IMPROVEMENT.	PAGE : 1 OF 1	CHKD BY : E.C.
	CONFIDENTIAL INFORMATION THE INFORMATION CONTAINED IN THIS DOCUMENT IS THE PROPERTY OF LUMEX INC. EXCEPT AS SPECIFICALLY AUTHORIZED IN WRITING BY LUMEX INC., THE HOLDER OF THIS DOCUMENT SHALL KEEP ALL INFORMATION CONTAINED HEREIN CONFIDENTIAL AND SHALL PROTECT SAME IN WHOLE OR IN PART FROM DISCLOSURE AND DISSEMINATION TO ALL THIRD PARTIES.	SCALE : NTF	APRVD BY : G.Y.
		UNIT : mm [INCH]	