

SPI-73

SIMFACT II

- ▣ flow meter
- ▣ 1 pulse input
- ▣ 1 relay (or OC) output
- ▣ power supply output 24V DC
- ▣ RS-485 / Modbus RTU

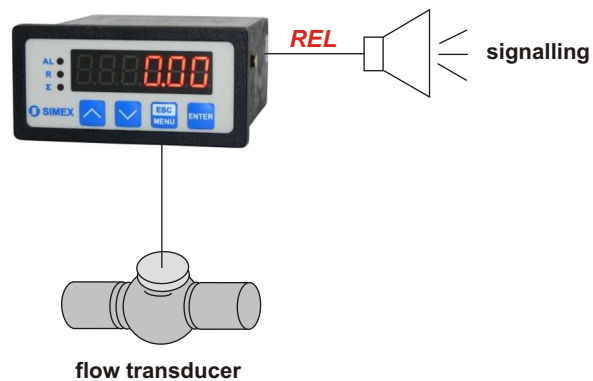
SPI-73 are the flow meters designed to work in tandem with the pulse flow transducers with coefficients ranging from 0,01 to 9999,99 pulses per litre. Wide range of total flow (up to 15 significant digits) enables flow volume control for a long time. The counters have 1 relay or OC output, which is programming depending on the actual instantaneous value of the flow.

- display of instantaneous and the total flow values,
- password protection,
- setting the volume units and the flow time,
- settable delay time of control output: up to 99 sec. or min.,
- programmable decimal point position,
- threshold hysteresis setting,
- ACCESS option - easy threshold modification,
- available with AC and DC power supply versions.

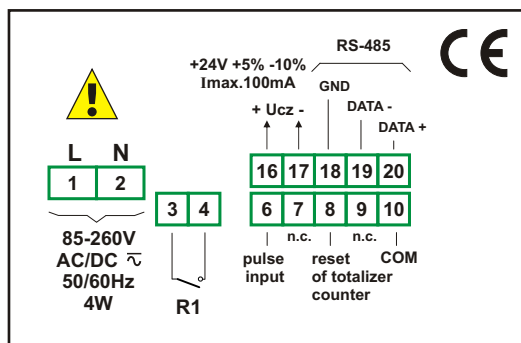


Typical applications

1. Signalling minimal flow in refrigerating cycle, balance of refrigerating liquid.



Exemplary pin assignment



Technical data

- Power supply:** 19V + 50V DC; 16V + 35V AC or 85 + 260V AC/DC, all separated
Power consumption: for 85 + 260V AC/DC and 16V + 35V AC power supply: max. 4,5 VA; 19V + 50V DC power supply: max. 4,5 W
Display: LED, red, 6 x 9 mm high
Input: pulse galvanically insulated with contacts oscillation damping, max. frequency from 10 kHz
 reset of totalizer counter: edge or level triggered, galvanically isolated
Accuracy of instantaneous flow values: selected in the range 0 + 0,00000
Instantaneous flow unit: l or m³ per second, minute or hour
Total flow capacity: over 4 x 10⁹ pulses (max. 15 significant digits)
Total flow accuracy: selected in the range from ± 1 to ± 0,0001
Total flow unit: l or m³
Pulse waiting time: settable from 0,1 do 39,9 seconds
Displayed values range: 0 + 999999 + decimal point
Output: 1 relay 1A/250V AC (cosφ=1) or the OC 30mA/30VDC/100mW
Transducer power supply output: 24V DC +5%, -10% / max. 100 mA, stabilized, not insulated from communication interface
Communication interface: RS-485, 8N1 and 8N2, 1200 bit/s + 115200 bit/s, Modbus RTU (not galvanically insulated)
Data memory: non-volatile memory, EEPROM type
Operating temperature: 0°C + +50°C
Storage temperature: -10°C + +70°C
Protection class: IP 65 (front), available additional frame IP 65 for panel cut-out sealing; IP 20 (case and connection clips)
Case: board
Case material: NORYL - GFN2S E1
Case dimensions: 72 x 36 x 97 mm
Panel cut-out dimensions: 66,5 x 32,5 mm
Installation depth: min. 102 mm
Board thickness: max. 5 mm

Ordering

SPI-73-141X-1-X-XX1

options:

- 00 : no options
- 01 : IP 65 frame

power supply:

- 3 : 24V AC/DC
- 4 : 85V - 260V AC/DC

type of outputs:

- 1 : REL
- 2 : OC