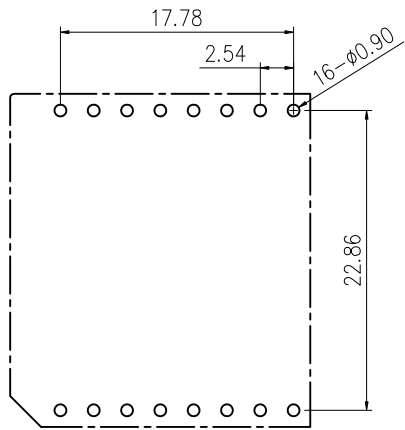
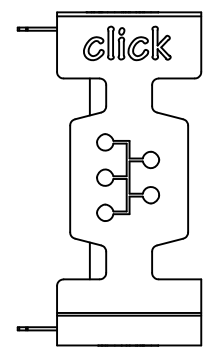
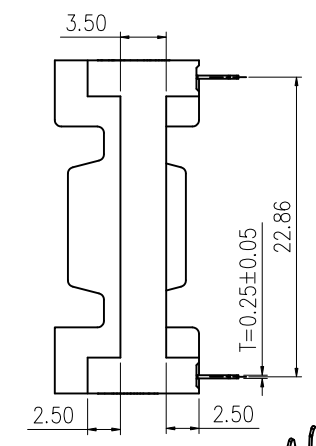
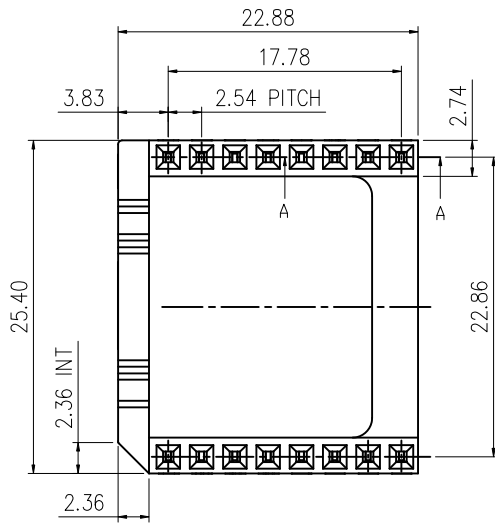
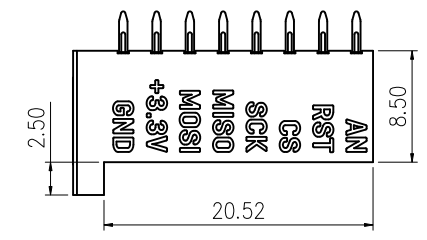
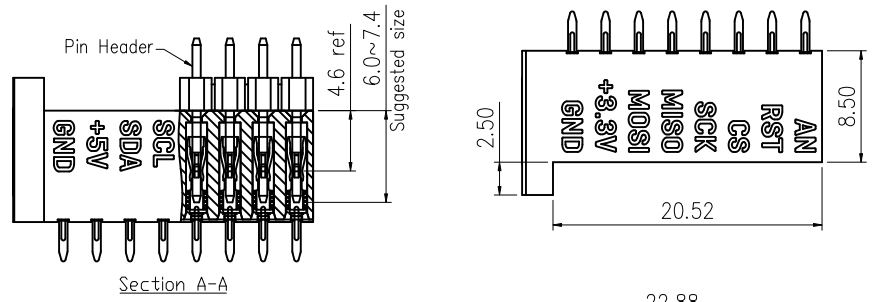
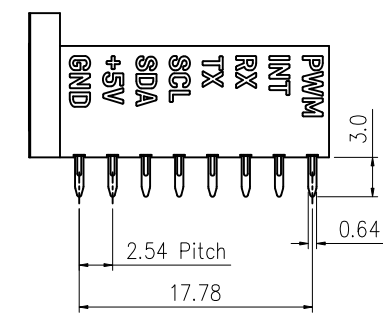


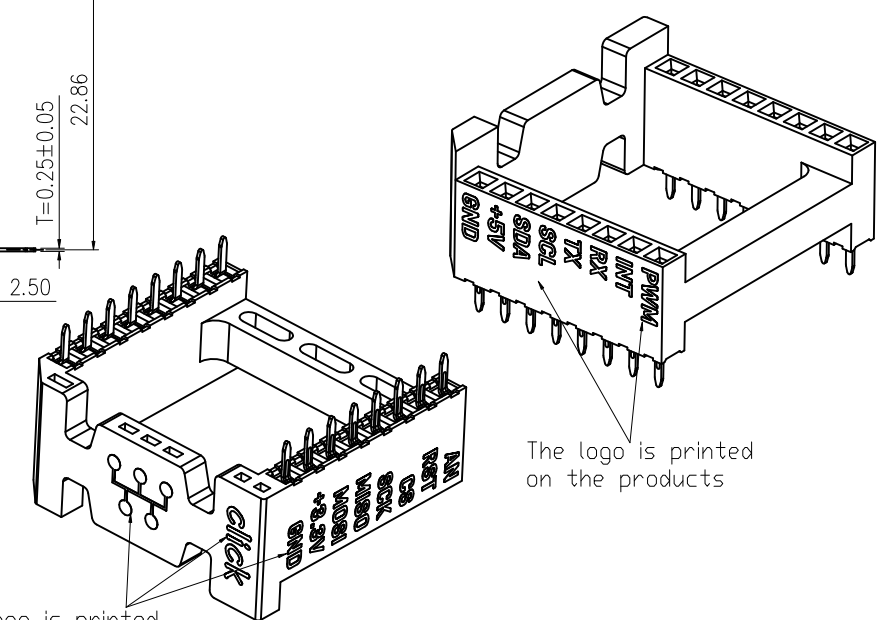
REV.	DESCRIPTION	DRAWN	CHECKED	APPROVED
A	NEW RELEASES			



RECOMMEND PCB LAYOUT
(TOLERANCE±0.05)



- NOTES:
- Material:
Insulator: PA9T With glass fiber (UL94V-0 ONLY FOR BLACK/RED/GRAY).
Contact: Copper alloy.
 - Electrical performance
Current rating: 3A.
Contact resistance: 20mΩ maximum.
Insulation resistance: 1000MΩ minimum.
Dielectric withstanding voltage: 500V AC(r.m.s).
 - Environment performance
Temperature range: -40°C~+105°C.
 - Mechanical performance:
Mating force: 150g per pin maximum.
Withdrawal force: 30g per pin minimum.
 - Recommend PCB thickness: 1.6mm



GENERAL TOLERANCE	ANGLE TOLERANCE	PROJECTION	TITLE	2.54*22.86mm PITCH 2*8PIN		
X. ±0.60	X. ±5°	UNITS		FEMALE HEADER V/T TYPE(H=8.5)		
.X ±0.38	.X ±3°	SHEET SIZE	A4	SERIES		
.XX ±0.25	.XX ±2°					
DRAWING TYPE	CUSTOMER					
SCALE	1:1					SHEET 1 OF 1
DRAWING NO.						