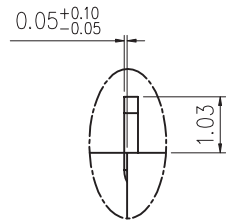
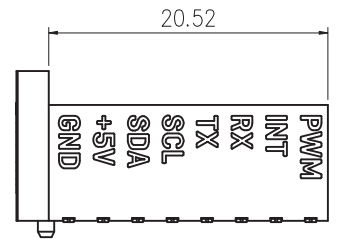
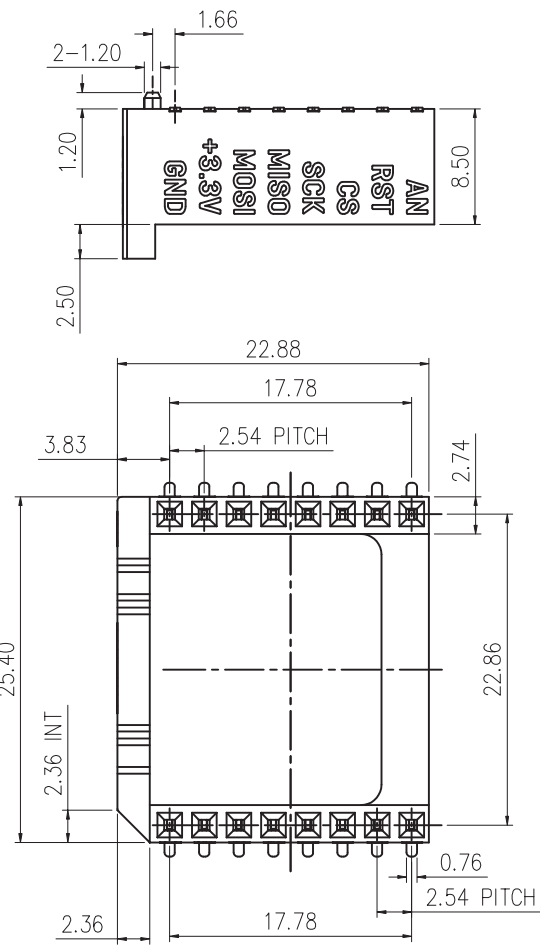
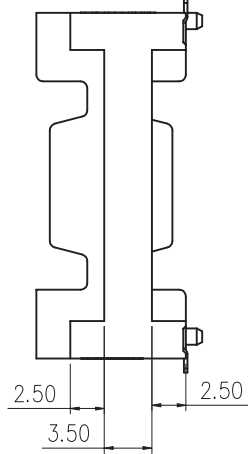
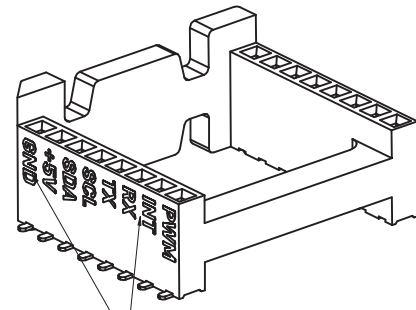
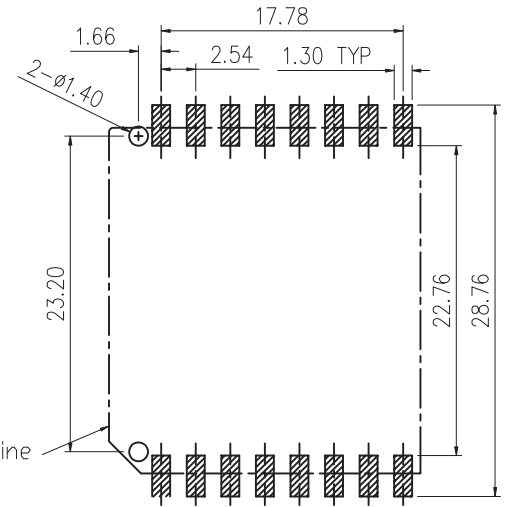


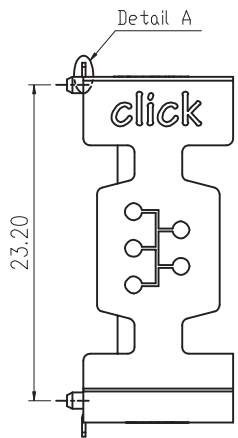
REV.	DESCRIPTION	DRAWN	CHECKED	APPROVED
C				
D				

NOTES:

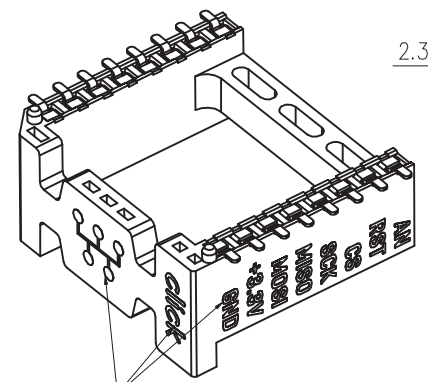
- Material:  
Insulator: PA9T With glass fiber (UL94V-0 ONLY FOR BLACK/RED/GRAY).  
Contact: Copper alloy.
- Electrical performance  
Current rating: 3A.  
Contact resistance: 20mΩ maximum.  
Insulation resistance: 1000MΩ minimum.  
Dielectric withstanding voltage: 500V AC(r.m.s).
- Environment performance:  
Temperature range: -40°C~+105°C.
- Mechanical performance:  
Mating force: 150g per pin maximum.  
Withdrawal force: 30g per pin minimum.
- Recommend PCB thickness: 1.6mm



Detail A  
Scale 4/1



Detail A



The logo is printed on the products

GENERAL TOLERANCE		ANGLE TOLERANCE		PROJECTION	TITLE	2.54*22.86mm PITCH 2*8PIN	
X.	±0.60	X.	±5°	UNITS	mm	FEMALE HEADER(H=8.5)	
.X	±0.38	.X	±3°	SHEET SIZE	A4	SERIES	
.XX	±0.25	.XX	±2°				
DRAWING TYPE		CUSTOMER		<b>MIKROE</b>			
SCALE	1:1	SHEET	1 OF 1				
DRAWING NO.							