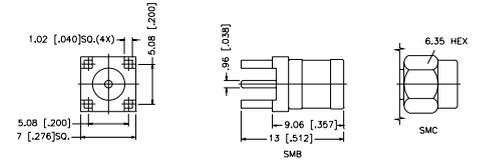


Printed Circuit Board Connectors

Straight Plug for P.C. Board

P.N.	Cable Group	Plt.	Ins.	Imp.	Crimp Tool
SMB6251B1-NT30G-50	N/A	Nickel	Teflon	50	N/A
SMB6251B1-3GT30G-50	N/A	Gold	Teflon	50	N/A
SMC Connectors					
SMC6251B1-NT30G-50	N/A	Nickel	Teflon	50	N/A
SMC6251B1-3GT30G-50	N/A	Gold	Teflon	50	N/A



Note: Male center contact

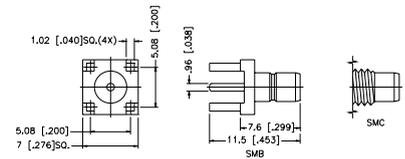
Assembly Instruction B - page 207

Straight Jack for P.C. Board

P.N.	Cable Group	Plt.	Ins.	Imp.	Crimp Tool
SMB1251B1-NT30G-50	N/A	Nickel	Teflon	50	*
SMB1251B1-3GT30G-50	N/A	Gold	Teflon	50	*
SMS1251B1-3GT30G-50	N/A	Gold	Teflon	50	N/A
Slide-On					
SMZ1251B6-002-3GT30G-75	N/A	Gold	Teflon	75	N/A
4.43 mm (.175") PCB Legs					
SMC Connectors					
SMC1251B1-NT30G-50	N/A	Nickel	Teflon	50	N/A
SMC1251B1-3GT30G-50	N/A	Gold	Teflon	50	N/A

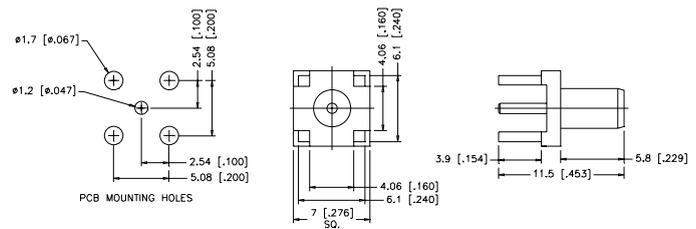


Snap-On



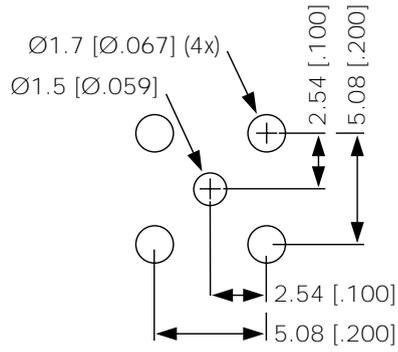
Note: Male center contact

Slide-On

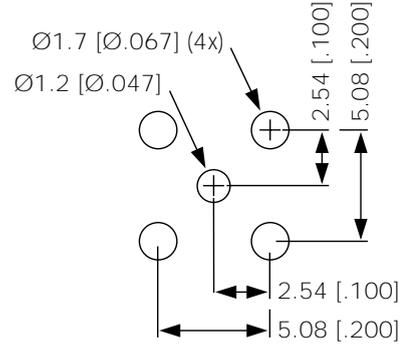


Assembly Instruction B - page 207

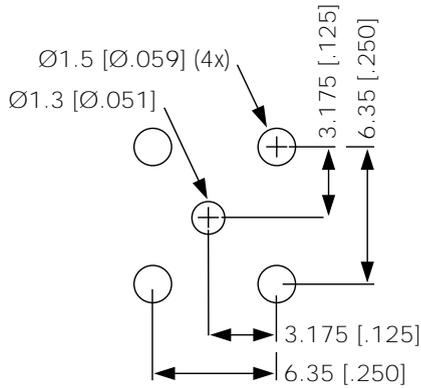
Type A



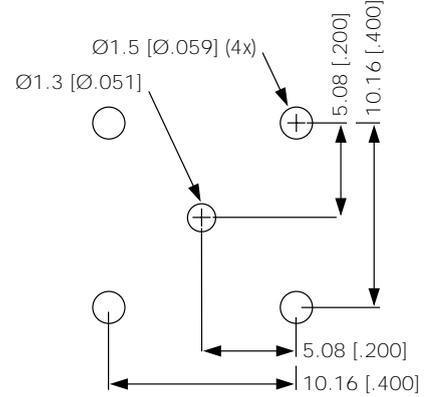
Type B



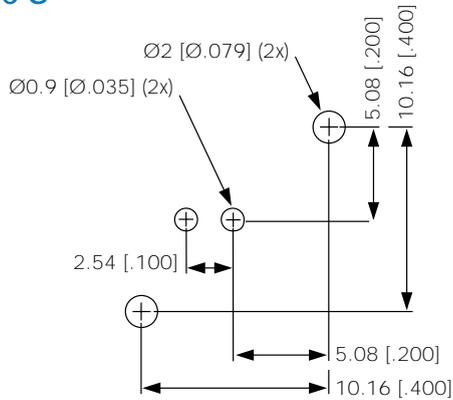
Type C



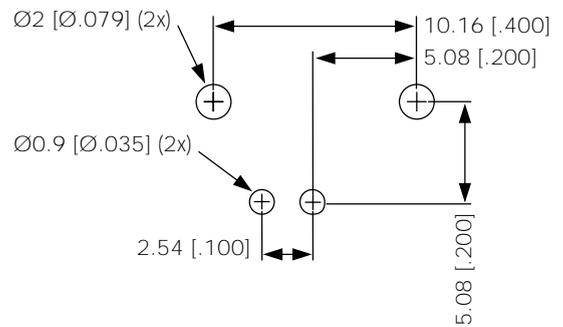
Type F



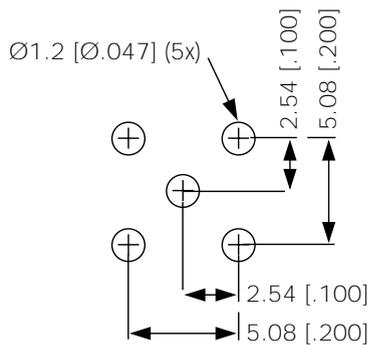
Type G



Type H



Type L



Type M

