

SUNON

SPECIFICATION FOR APPROVAL

CUSTOMER : **PHI-CM-D90H110**
MODEL NO : **SM203-13004Y**
DESCRIPTION : **Thermal Module**
DIMENSIONS : **D90X110 mm**
SUNON SPEC. NO. : **C02003050F-00**
CUSTOMER APPROVAL NO. :
APPROVED BY CUSTOMER :
(AUTHORIZED)

DRAWN Qian 08/07	CHECKED Cloud	APPROVED Amy	SPEC. NO	C02003050F-00
			ISSUED DATE	04. 24. 2014
			EDITION	1
			REVISION DATE	08. 07. 2014

建準電機工業股份有限公司

SUNONWEALTH ELECTRIC MACHINE INDUSTRY CO., LTD.

No. 30, LN. 296, XINYA RD., QIANZHEN DIST TEL:886-7-8135888

KAOHSIUNG CITY 80673, TAIWAN(R. O. C)

FAX:886-7-8230505/8230606/8231010

URL:<http://www.SUNON.com>

E-mail:

SUNON@email.SUNON.com.tw



SPECIFICATION FOR APPROVAL

CHECK LIST

1. SPECIFICATIONS ----- Page 2
2. DIMENSION ----- Page 3~4
3. FAI & CPK TEST ----- Page 5~7
4. NOTES ----- Page 8
5. Declaration of RoHS ----- Page 9

SUNONWEALTH ELECTRIC
MACHINE INDUSTRY CO., LTD.

建準電機工業股份有限公司

PAGE	1 OF 9
SPEC. NO.	C02003050F-00
ISSUED DATE	04. 24. 2014
EDITION	1
REVISION DATE	08. 07. 2014

2014.08.07

發行章

MODEL : SM203-13004Y**1.SPECIFICATIONS**

1. Application	Input chipset CPU 24 W
2. Heat Sink Dimension	80X60X21 HF
3. Heat Sink Material	ADC10
4. Cooling Method	N/A
5. Thermal Grease / PAD	N/A
6. Fan Dimension	N/A
7. Fan Speed (with Heat Sink)	N/A
8. Fan Airflow (with Heat Sink)	N/A
9. Fan Rating Voltage	N/A
10. Fan Rating Current (with Heat Sink)	N/A
11. Fan Power Consumption (with Heat Sink)	N/A
12. Fan Bearing Type	N/A
13. Fan Connector	N/A
14. Cooling Module Noise	N/A
15. Fan Operating Voltage Range	N/A
16. Operating Temperature	-10 to + 70 deg. C
17. Storage Temperature	-40 to + 70 deg. C
18. Weight	196 g
19. Life Expectance	N/A

SUNONWEALTH ELECTRIC
MACHINE INDUSTRY CO., LTD.

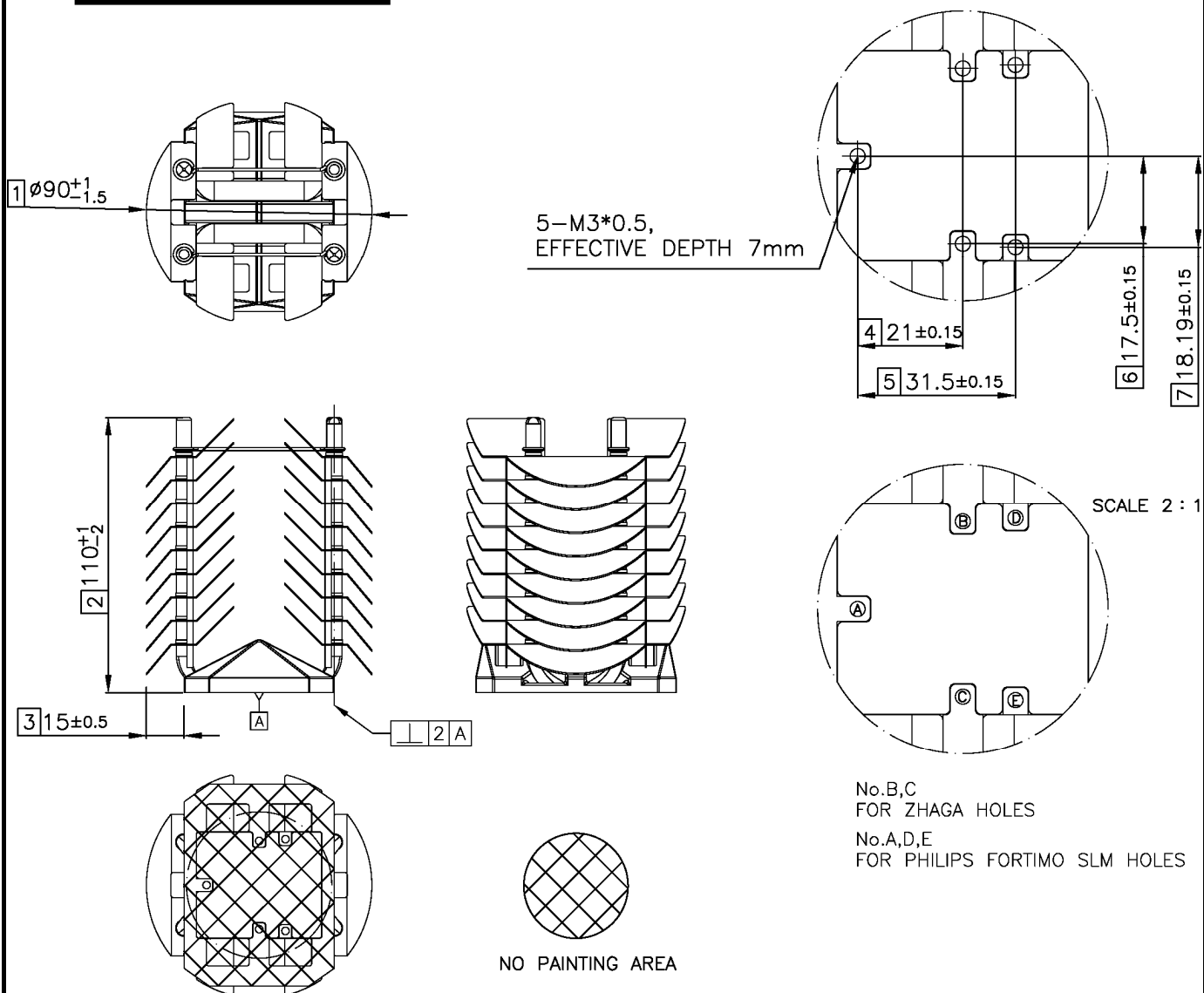
建準電機工業股份有限公司

PAGE	2 OF 9
SPEC. NO.	C02003050F-00
ISSUED DATE	04. 24. 2014
EDITION	1
REVISION DATE	08. 07. 2014

2014.08.07

發行章

2.DIMENSION



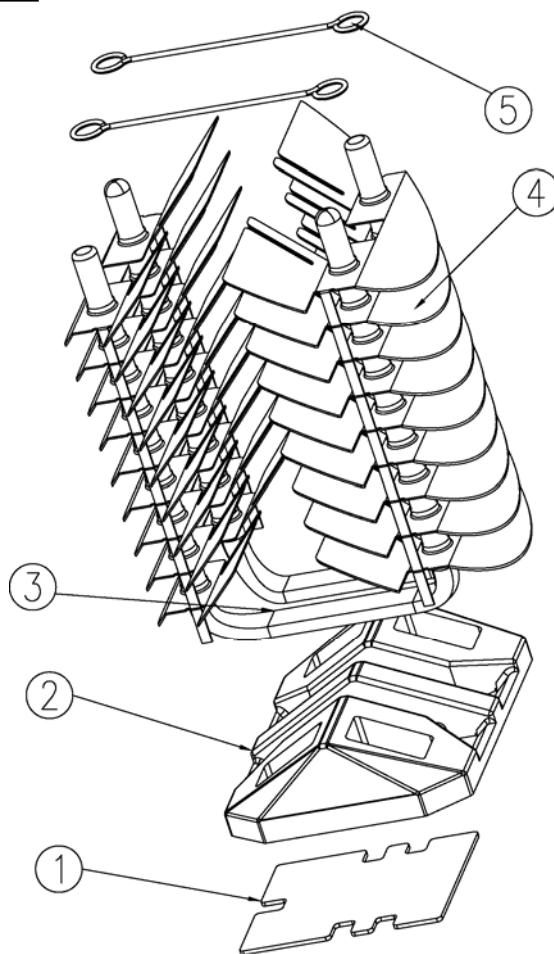
UNIT:mm

SUNONWEALTH ELECTRIC
MACHINE INDUSTRY CO., LTD.
建準電機工業股份有限公司

PAGE	3 OF 9
SPEC. NO.	C02003050F-00
ISSUED DATE	04. 24. 2014
EDITION	1
REVISION DATE	08. 07. 2014



2.DIMENSION



5	CLIP	A206015470F	68.6*8.6* ϕ 1.2 HF	2
4	FIN	A212024910F	D90*109 HF	1
3	HEAT PIPE	A208012390F	D6*268.5*3.0t HF	2
2	DIE CASTING	A212024630F	80*60*21 HF	1
1	COPPER PLATE	A213003220F	50*42*1.0t HF	1
ITEM	NAME	PART No.	SPECIFICATION	QTY
PART DETAIL LIST				

**SUNONWEALTH ELECTRIC
MACHINE INDUSTRY CO., LTD.**
建準電機工業股份有限公司

PAGE	4 OF 9
SPEC. NO.	C02003050F-00
ISSUED DATE	04. 24. 2014
EDITION	1
REVISION DATE	08. 07. 2014



3.FAI & CPK TEST

1.FAI TEST

FAI DATA SHEET

Part Number :	PHI-CM_D90H110	Supplier :		Date:	2014/4/22	New:	
Part Description :		ISR No :		Cavity/Tool #:		Revised:	
Revision :		Material Spec:		Inspector:		Resubmission:	

MOI Method of inspection abbreviation: HG = Height gauge, MIC = Micrometer, DC = Dial Caliper, P = Protractor, OC = Optical Comparator, CG = Checking Gauge, CMM = Coordinate Measuring Machine,

GMM = Optical Coordinate Measuring Machine, HT = Hardness Tester, TG = Thickness Gauge, VIS = Visual, PG = Plug Gauge,

ITEM	DRAWING LOCATION	NOMINAL	+TOL	-TOL	Sample Number				Deviation from Nominal				Mean	% Tolerance		Accept/Reject		Inspection Method	Supplier Remarks
					1	2	3	4	1	2	3	4		UPPER	LOWER	HIGH	LOW		
					1	90.000	1.000	1.500	09.505	09.492	09.305	09.325		0.415	-0.500	-0.615	-0.675		
2	110.000	1.000	2.000	110.218	110.251	110.154	110.028	0.218	0.251	0.154	0.028	110.208	25%	0%	Accept	Accept	CMM		
3	15.000	0.500	0.500	15.012	15.046	15.020	15.035	0.012	0.046	0.020	0.035	15.029	9%	0%	Accept	Accept	CMM		
4	21.000	0.150	0.150	21.024	21.035	21.012	21.052	0.024	0.035	0.012	0.052	21.024	23%	0%	Accept	Accept	CMM		
5	31.500	0.150	0.150	31.521	31.546	31.535	31.542	0.021	0.046	0.035	0.042	31.534	31%	0%	Accept	Accept	CMM		
6	17.500	0.150	0.150	17.512	17.564	17.523	17.542	0.012	0.064	0.023	0.042	17.533	43%	0%	Accept	Accept	CMM		
7	10.190	0.150	0.150	10.165	10.190	10.232	10.210	-0.025	0.000	0.042	0.020	10.190	20%	17%	Accept	Accept	CMM		

SUNONWEALTH ELECTRIC
MACHINE INDUSTRY CO., LTD.

建準電機工業股份有限公司

PAGE	5 OF 9
SPEC. NO.	C02003050F-00
ISSUED DATE	04. 24. 2014
EDITION	1
REVISION DATE	08. 07. 2014



3.FAI & CPK TEST

2.CPK TEST

Model:SM203-13004Y(PHI-CM_D90H110)

Trial production date: 2014/3/18

No	1	2	3
(Item)	The distance between copper sheet and tail end of heat pipe	The distance between copper sheet and the edge of fins	CPU thermal resistance
Central value	110.000	15.000	
USL	111.000	15.500	0.53
LSL	108.000	14.500	
UNIT	mm	mm	°C/W
ave	109.560	14.983	0.452
max	109.850	15.100	0.480
min	109.400	14.830	0.420
1	109.580	14.890	0.460
2	109.680	14.950	0.440
3	109.660	14.960	0.440
4	109.720	15.030	0.470
5	109.700	15.020	0.440
6	109.630	15.020	0.430
7	109.520	14.960	0.440
8	109.430	14.930	0.460
9	109.850	14.920	0.420
10	109.440	14.910	0.430
11	109.420	14.830	0.440
12	109.400	14.960	0.420
13	109.560	15.060	0.430
14	109.590	15.010	0.480
15	109.580	15.080	0.480
16	109.680	15.070	0.470
17	109.780	14.930	0.480
18	109.610	14.880	0.460
19	109.620	14.890	0.470
20	109.530	14.920	0.430
21	109.520	15.010	0.440
22	109.460	15.060	0.440
23	109.530	15.040	0.480
24	109.490	14.980	0.450
25	109.630	15.020	0.450
26	109.460	15.040	0.460
27	109.410	15.050	0.450
28	109.460	15.030	0.460
29	109.510	14.910	0.470
30	109.550	14.930	0.440
31	109.580	14.920	0.440
32	109.480	14.960	0.460
33	109.460	15.030	0.460
34	109.520	15.090	0.470
35	109.570	15.100	0.450

SUNONWEALTH ELECTRIC
MACHINE INDUSTRY CO., LTD.

建準電機工業股份有限公司

PAGE

6 OF 9

SPEC. NO.

C02003050F-00

ISSUED DATE

04. 24. 2014

EDITION

1

REVISION DATE

08. 07. 2014

2014.08.07

發行章

3.FAI & CPK TEST

Quality comprehensive confirmation DATA SHEET

Model:SM203-13004Y(PHI-CM D90H110)

No.	Item	Specification	avg	Standard deviationσ	max	min	Quantity	Process capability		Remarks
								cp	cpk	
1	The distance between copper sheet and tail end of heat pipe	108~111mm	109.560	0.108	109.850	109.400	35	4.644	4.458	
2	The distance between copper sheet and the edge of fins	14.5~15.5mm	14.983	0.069	15.100	14.830	35	2.410	2.326	
3	CPU thermal resistance	≤0.53°C/W	0.452	0.018	0.480	0.420	35	5.027	1.485	

SUNONWEALTH ELECTRIC
MACHINE INDUSTRY CO., LTD.

建準電機工業股份有限公司

PAGE

7 OF 9

SPEC. NO.

C02003050F-00

ISSUED DATE

04. 24. 2014

EDITION

1

REVISION DATE

08. 07. 2014

2014.08.07

發行章

Notes

I. SPECIFICATION MODIFICATION

1. SUNON offers engineering assistance on module installation and cooling system design.
2. All changes, modifications and/or revisions to the specifications, if any, are incorporated in the attached specifications.
3. No changes, modifications and/or revisions to these specifications are effective absent agreement, by both SUNON and the customer, in writing.
4. This module will be shipped in accordance with the attached specification unless SUNON and the customer have agreed otherwise, in writing, as specified in Paragraph 3, above.

II. OTHER

1. DO NOT operate this module in proximity to hazardous materials such as organic silicon, cyanogens, formalin, phenol, or corrosive gas environments including, but not limited to, H₂S, SO₂, NO₂, or Cl₂.
2. Unless otherwise noted, all testing of this module is conducted at 25°C ambient temperature and sixty-five percent (65%) relative humidity.
3. DO NOT store this module in an environment with high humidity. This module must be stored in accordance with the attached specifications regarding storage temperature. If this module is stored for more than 6 months, SUNON recommends functional testing before using.
4. SUNON reserves the right to use components from multiple sources at its discretion. The use of components from other sources will not affect the specifications as described herein.

III. WARRANTY

This module is warranted against all defects which are proved to be fault in our workmanship and material for one year from the date of our delivery. The sole responsibility under the warranty shall be limited to the repair of the module or the replacement thereof, at SUNON's sole discretion. SUNON will not be responsible for the failures of its module due to improper handing, misuse or the failure to follow specifications or instructions for use. In the event of warranty claim, the customer shall immediately notify SUNON for verification. SUNON will not be responsible for any consequential damage to the customer's equipment as a result of any module proven to be defective.

SUNONWEALTH ELECTRIC
MACHINE INDUSTRY CO., LTD.

建準電機工業股份有限公司

D.C.C.

2014.08.07

發行章

PAGE	8 OF 9
SPEC. NO.	C02003050F-00
ISSUED DATE	04. 24. 2014
EDITION	1
REVISION DATE	08. 07. 2014

Declaration of Restricted Materials

Control declaration of environment- related substances/ materials

1. In accordance with the Restriction of Hazardous Substances (RoHS) Directive 2011/65/EU and specific market requirements, SUNON Halogen-Free Product have complied with law and discipline not to employ the forbidden substances, and restrict the allowable concentration of some limited substances deliberately in our components.

No	Substance	Criteria	
1	CFCs & HCFCs (ozone depleting substances)	Forbidden	
2	Chlorinated Organic Solvent	Forbidden	
3	Lead and its compounds	Plastic (Frame, Impeller, wire harness, etc.)	<100ppm
		Solder	<1000ppm
		Steel alloy	<3500ppm
		Aluminium alloy	<4000ppm
		Copper alloy	<4wt%
4	Cadmium and its compounds	Solder	<20ppm
		Parts composed of metals containing zinc (e.g. brass, zinc for die casting)	<100ppm
		Plastic	<5ppm
5	PBBs and PBDEs	Forbidden	
6	PCB and PCT	Forbidden	
7	CP, Short-chain Chlorinated paraffins C10-13, Cl ≥48 wt%	Forbidden	
8	Mirex	Forbidden	
9	PCN	Forbidden	
10	Hexavalent Chromium compounds	<100ppm	
11	Mercury and its compounds	Forbidden	
12	Asbestos	Forbidden	
13	Organic Tin compounds	Forbidden	
14	Azo compounds	Forbidden	
15	TBBP-A in external case plastic parts of products (PCB is exempted)	<1000ppm	
16	Nickel in external case parts, which are likely to result in prolonged skin exposure	<1000ppm	
17	Hexabromocyclododecane (HBCDD)	<1000ppm	
18	Di-butyl Phthalate (DBP)	<1000ppm	
19	Benzyl butyl Phthalate (BBP)	<1000ppm	
20	Di-ethylhexyl Phthalate (DEHP)	<1000ppm	
21	Di-isobutyl Phthalate (DIBP)	<1000ppm	
22	Brominated/chlorinated flame retardants (other than PBBs or PBDEs), applicable item: frame, bobbin, impeller, lear wire, connector, mylar insulator.	Br<900ppm Cl<900ppm Br+Cl<1500ppm	
23	PAHs and its 16 compounds in unusual contact material	BaP < 20ppm Total <200ppm	
24	PCB and electroplating material, PFOS content complianced with 2006/122/EC	PFOS ≤1000ppm; coating material PFOS ≤ 1μg/m ²	

SUNONWEALTH ELECTRIC
MACHINE INDUSTRY CO., LTD.

PAGE	9 OF 9
SPEC. NO.	C02003050F-00
ISSUED DATE	04. 24. 2014
EDITION	1
REVISION DATE	08. 07. 2014

