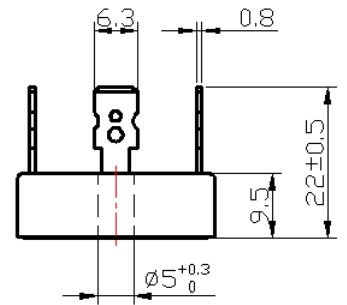


Features

- 6.3 standard plug-in
- Low forward voltage drop
- Insulation voltage: 2500V ~

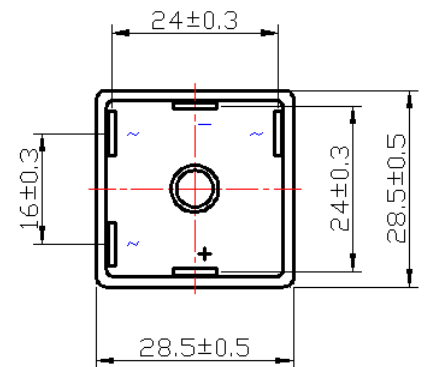


Application

- DC power supply
- Input rectifying of PWM converter
- Power supply of DC equipments

Characteristics

- Simple installation
- Smart size, Light weight
- Small heating resistance, high heat radiation, low temperature



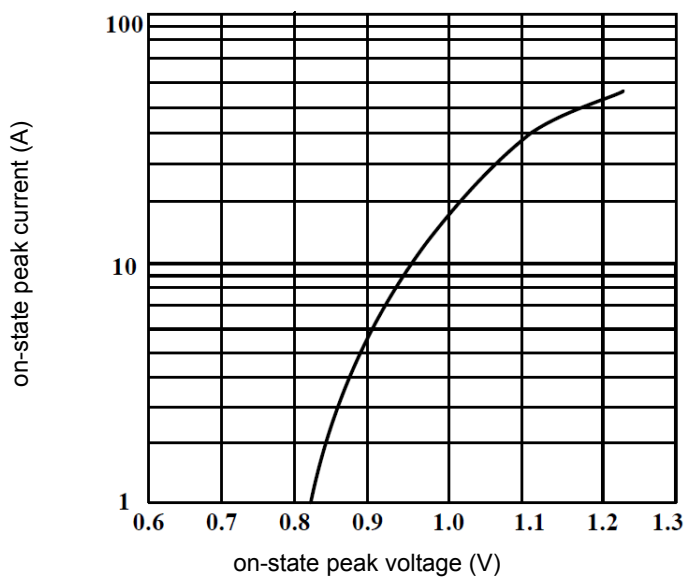
■ Max. value

Symbol	Rated				Unit
	SKBPC3506	SKBPC3508	SKBPC3510	SKBPC3516	
V_{RRM}	600	800	1000	1600	V
V_{RSM}	700	900	1100	1700	V

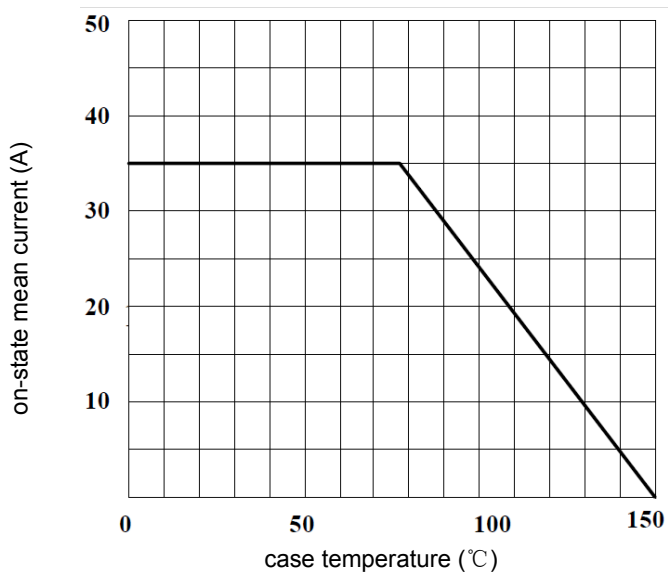
Symbol	Testing condition	Rated	Unit
$I_{F(AV)}$	180° sine anf half wave 50HZ, single side cooling $T_c=78^\circ\text{C}$	35	A
I_{FSM}	$t=10\text{ms}, 50\text{HZ}, \text{sin}, T_{jm}$	450	A
I^2t		800	A^2S
V_{ISO}	AC one minute	2500	V
T_j		-40 to +150	$^\circ\text{C}$
T_{jm}		150	$^\circ\text{C}$
T_{stg}		-40 to +125	$^\circ\text{C}$
M_d		2	N·m
W_t		21	g

Symbol	Testing condition	Rated	Unit
I_{RRM}	$V_R=V_{RRM}$, sine anf half wave, $T_j=25^\circ\text{C}$	5	μA
	$V_R=V_{RRM}$, sine anf half wave, $T_j=150^\circ\text{C}$	500	μA
V_{FM}	$I_{FM}=17.5\text{A}$, $T_j=25^\circ\text{C}$	1.1	V
$R_{th(j-c)}$	single side cooling, sine anf half wave	0.9	$^\circ\text{C}/\text{W}$

on-state voltage and current curve



Case temperature and on-state mean current curve



on-state surge current and cycle curve

