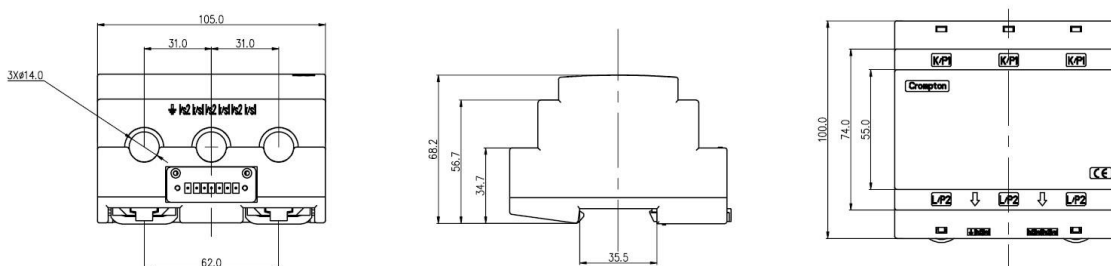




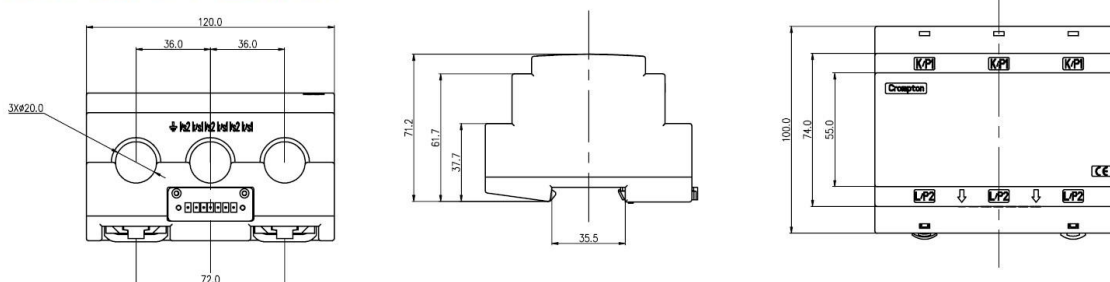
3 in 1 measuring current transformers – DIN-rail fixing

DR3N1-50/5A to DR3N1-250/5A Current transformers								
Series	MPN	Ratio	VA Kl. 3	VA Kl. 1	VA Kl. 0,5	Width	Inner dimensions	Cable length
DR3N1	DR3N1-50/5	50/5A	1,5	1	-	6 Module (TE)	13,5mm	1m
DR3N1	DR3N1-60/5	60/5A	1,5	1	-	6 Module (TE)	13,5mm	1m
DR3N1	DR3N1-75/5	75/5A	2	1,5	-	6 Module (TE)	13,5mm	1m
DR3N1	DR3N1-80/5	80/5A	2,5	1,5	-	6 Module (TE)	13,5mm	1m
DR3N1	DR3N1-100/5	100/5A	3,75	3	2,5	6 Module (TE)	13,5mm	2m
DR3N1	DR3N1-125/5	125/5A	3,75	3	2,5	6 Module (TE)	13,5mm	2m
DR3N1	DR3N1-150/5	150/5A	5	3,75	2,5	6 Module (TE)	13,5mm	2m
DR3N1	DR3N1-160/5	160/5A	3,75	2,5	1,5	7 Module (TE)	21mm	2m
DR3N1	DR3N1-180/5	180/5A	3,75	3	2,5	7 Module (TE)	21mm	2m
DR3N1	DR3N1-200/5	200/5A	5	3,75	2,5	7 Module (TE)	21mm	2m
DR3N1	DR3N1-250/5	250/5A	6,25	5	3,75	7 Module (TE)	21mm	2m

DR3N1-50/5A - 150/5A



DR3N1-160/5A - 250/5A





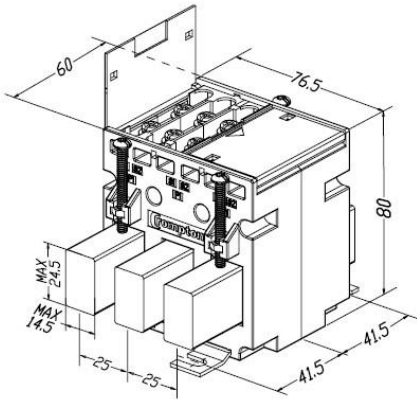
3 in 1 measuring current transformers



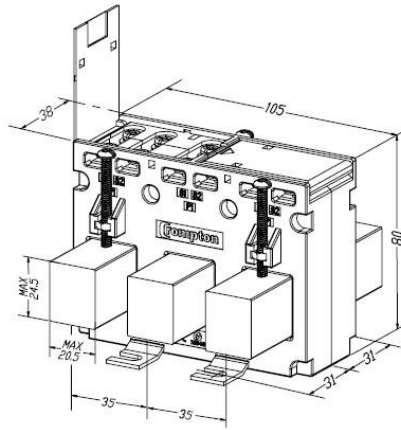
M3N1-25/35/45 60/5A to 630/5A current transformers							
Series	MPN	Ratio	VA Kl. 3	VA Kl. 1	VA Kl. 0,5	Center Distance	Inner dimensions
M3N1	M3N1-25-60/5	60/5A	2	1	-	25mm	3 x 14,5mm x 24,5mm
M3N1	M3N1-25-100/5	100/5A	2,5	1,5	-	25mm	3 x 14,5mm x 24,5mm
M3N1	M3N1-25-125/5	125/5A	2,5	1,5	-	25mm	3 x 14,5mm x 24,5mm
M3N1	M3N1-25-150/5	150/5A	2,5	1,5	1,5	25mm	3 x 14,5mm x 24,5mm
M3N1	M3N1-25-160/5	160/5A	2,5	1,5	1,5	25mm	3 x 14,5mm x 24,5mm
M3N1	M3N1-35-100/5	100/5A	2	1,5	-	35mm	3 x 20,5mm x 24,5mm
M3N1	M3N1-35-125/5	125/5A	2,5	1,5	-	35mm	3 x 20,5mm x 24,5mm
M3N1	M3N1-35-150/5	150/5A	2,5	1,5	-	35mm	3 x 20,5mm x 24,5mm
M3N1	M3N1-35-160/5	160/5A	2,5	1,5	1,5	35mm	3 x 20,5mm x 24,5mm
M3N1	M3N1-35-200/5	200/5A	2,5	1,5	1,5	35mm	3 x 20,5mm x 24,5mm
M3N1	M3N1-35-250/5	250/5A	2,5	1,5	1,5	35mm	3 x 20,5mm x 24,5mm
M3N1	M3N1-45-250/5	250/5A	2,5	1,5	1,5	45mm	3 x 30,5mm x 30,5mm
M3N1	M3N1-45-300/5	300/5A	3,75	2,5	2,5	45mm	3 x 30,5mm x 30,5mm
M3N1	M3N1-45-400/5	400/5A	3,75	2,5	2,5	45mm	3 x 30,5mm x 30,5mm
M3N1	M3N1-45-500/5	500/5A	3,75	2,5	2,5	45mm	3 x 30,5mm x 30,5mm
M3N1	M3N1-45-600/5	600/5A	3,75	2,5	2,5	45mm	3 x 30,5mm x 30,5mm
M3N1	M3N1-45-630/5	630/5A	3,75	2,5	2,5	45mm	3 x 30,5mm x 30,5mm



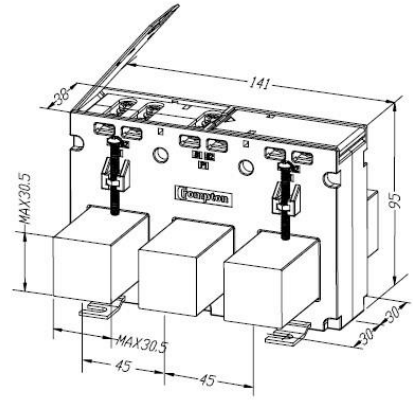
M3N1-25



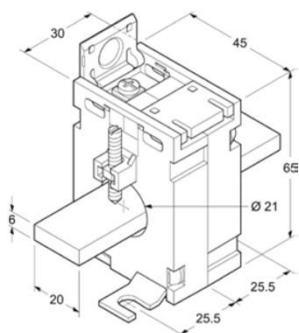
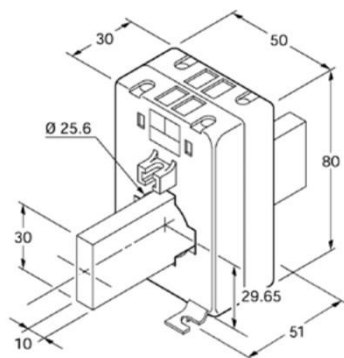
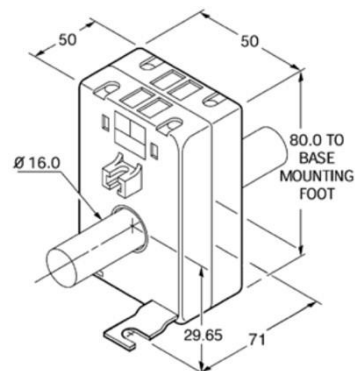
M3N1-35



M3N1-45



M53Q Current Transformers single pole, Ø 21mm, Busbar 20x6mm							
Series	MPN	Ratio	MPN	Ratio	VA Kl. 3	VA Kl. 1	VA Kl. 0.5
M53Q	M53Q-50/5	50/5A	M53Q-50/1	50/1A	1	-	-
M53Q	M53Q-60/5	60/5A	M53Q-60/1	60/1A	1,25	-	-
M53Q	M53Q-75/5	75/5A	M53Q-75/1	75/1A	1,5	-	-
M53Q	M53Q-80/5	80/5A	M53Q-80/1	80/1A	1,25	-	-
M53Q	M53Q-100/5	100/5A	M53Q-100/1	100/1A	2,5	1,5	-
M53Q	M53Q-125/5	125/5A	M53Q-125/1	125/1A	3	2,5	-
M53Q	M53Q-150/5	150/5A	M53Q-150/1	150/1A	3,75	2,5	-
M53Q	M53Q-200/5	200/5A	M53Q-200/1	200/1A	5	3,75	-
M53Q	M53Q-250/5	250/5A	M53Q-250/1	250/1A	-	5	-
M53Q	M53Q-300/5	300/5A	M53Q-300/1	300/1A	7,5	5	-
M55E Current Transformers single pole, Ø 16mm, Busbar 15x5mm							
Series	MPN	Ratio	MPN	Ratio	VA Kl. 3	VA Kl. 1	VA Kl. 0.5
M55E	M55E-30/5	30/5A	-	30/1A	1,25	-	-
M55E	M55E-40/5	40/5A	-	40/1A	2,5	-	-
M55E	M55E-50/5	50/5A	M55E-50/1	50/1A	2,5	-	-
M55E	M55E-60/5	60/5A	M55E-60/1	60/1A	3,75	2,5	-
M55E	M55E-75/5	75/5A	M55E-75/1	75/1A	5	3,75	-
M55E	M55E-80/5	80/5A	M55E-80/1	80/1A	5	3,75	-
M55E	M55E-100/5	100/5A	M55E-100/1	100/1A	7,5	5	-
M53J Current Transformers single pole, Ø 25mm, Busbar 30x10, 25x15 & 20x6mm							
Series	MPN	Ratio	MPN	Ratio	VA Kl. 3	VA Kl. 1	VA Kl. 0.5
M53J	M53J-100/5	100/5A	M53J-100/1	100/1A	1,25	-	-
M53J	M53J-125/5	125/5A	M53J-125/1	125/1A	1,25	-	-
M53J	M53J-150/5	150/5A	M53J-150/1	150/1	2,5	-	-
M53J	M53J-160/5	160/5A	M53J-160/1	160/1A	2,5	-	-
M53J	M53J-200/5	200/5A	M53J-200/1	200/1A	2,5	2,5	-
M53J	M53J-250/5	250/5A	M53J-250/1	250/1A	3,75	2,5	-
M53J	M53J-300/5	300/5A	M53J-300/1	300/1A	5	3,75	-
M53J	M53J-400/5	400/5A	M53J-400/1	400/1A	7,5	3,75	-

M53Q

M53J

M55E

M65F Current Transformers single pole, Ø 23mm, Busbar 20x10mm

Series	MPN	Ratio	MPN	Ratio	VA Kl. 3	VA Kl. 1	VA Kl. 0.5
M65F	M65F-30/5	30/5A	-	-	1,25	-	-
M65F	M65F-40/5	40/5A	M65F-40/1	40/1A	2,5	-	-
M65F	M65F-50/5	50/5A	M65F-50/1	50/1A	2,5	-	-
M65F	M65F-60/5	60/5A	M65F-60/1	60/1A	3,75	-	-
M65F	M65F-75/5	75/5A	M65F-75/1	75/1A	5	2,5	-
M65F	M65F-80/5	80/5A	M65F-80/1	80/1A	5	2,5	-
M65F	M65F-100/5	100/5A	M65F-100/1	100/1A	7,5	5	2,5
M65F	M65F-125/5	125/5A	M65F-125/1	125/1A	7,5	5	2,5
M65F	M65F-150/5	150/5A	M65F-150/1	150/1A	15	10	5
M65F	M65F-200/5	200/5A	M65F-200/1	200/1A	20	15	7,5
M65F	M65F-250/5	250/5A	M65F-250/1	250/1A	20	20	10
M65F	M65F-300/5	300/5A	M65F-300/1	300/1A	30	30	10

M63N Current Transformers single pole, Ø 32mm, Busbar 40x10mm

Series	MPN	Ratio	MPN	Ratio	VA Kl. 3	VA Kl. 1	VA Kl. 0.5
M63N	M63N-200/5	200/5	M63N-200/1	200/1	2,5	-	-
M63N	M63N-250/5	250/5	M63N-250/1	250/1	3,75	2,5	-
M63N	M63N-300/5	300/5	M63N-300/1	300/1	5	3,75	-
M63N	M63N-400/5	400/5	M63N-400/1	400/1	7,5	5	-
M63N	M63N-500/5	500/5	M63N-500/1	500/1	10	7,5	3,75
M63N	M63N-600/5	600/5	M63N-600/1	600/1	10	7,5	5
M63N	M63N-750/5	750/5	M63N-750/1	750/1	15	10	7,5
M63N	M63N-800/5	800/5	M63N-800/1	800/1	15	10	7,5

MA5G Current Transformers single pole, Ø 36mm, Busbar 40x10 & 30x30mm

Series	MPN	Ratio	MPN	Ratio	VA Kl. 3	VA Kl. 1	VA Kl. 0.5
MA5G	MA5G-100/5	100/5A	MA5G-100/1	100/1A	2,5	-	-
MA5G	MA5G-125/5	125/5A	MA5G-125/1	125/1A	5	2,5	-
MA5G	MA5G-150/5	150/5A	MA5G-150/1	150/1A	5	3,75	-
MA5G	MA5G-200/5	200/5A	MA5G-200/1	200/1A	10	5	2,5
MA5G	MA5G-250/5	250/5A	MA5G-250/1	250/1A	10	7,5	5
MA5G	MA5G-300/5	300/5A	MA5G-300/1	300/1A	10	7,5	5
MA5G	MA5G-400/5	400/5A	MA5G-400/1	400/1A	10	7,5	5
MA5G	MA5G-500/5	500/5A	MA5G-500/1	500/1A	10	7,5	5
MA5G	MA5G-600/5	600/5A	MA5G-600/1	600/1A	10	10	7,5
MA5G	MA5G-750/5	750/5A	MA5G-750/1	750/1A	15	10	10
MA5G	MA5G-800/5	800/5A	MA5G-800/1	800/1A	15	10	10
MA5G	MA5G-1000/5	1000/5A	MA5G-1000/1	1000/1A	20	15	15

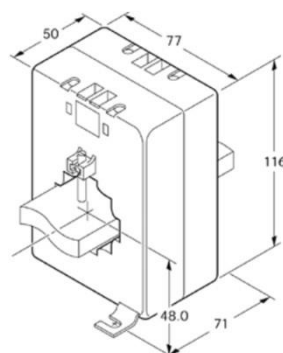
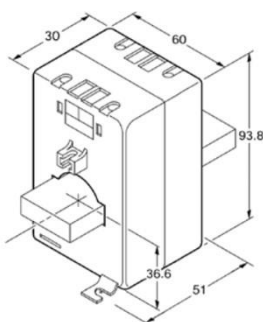
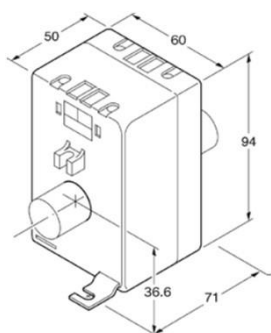
M65F
M63N
MA5G

MA5Y Current Transformers single pole, Primärwicklung, Anschlusschraube M8

Series	MPN	Ratio	MPN	Ratio	VA Kl. 3	VA Kl. 1	VA Kl. 0.5
MA5Y	MA5Y-1/5	1/5A	MA5Y-1/1	1/1A	7,5	5	-
MA5Y	MA5Y-5/5	5/5A	MA5Y-5/1	5/1A	7,5	5	-
MA5Y	MA5Y-10/5	10/5A	MA5Y-10/1	10/1A	7,5	5	-
MA5Y	MA5Y-15/5	15/5A	MA5Y-15/1	15/1A	7,5	5	-
MA5Y	MA5Y-20/5	20/5A	MA5Y-20/1	20/1A	7,5	5	-
MA5Y	MA5Y-30/5	30/5A	MA5Y-30/1	30/1A	7,5	5	-
MA5Y	MA5Y-40/5	40/5A	MA5Y-40/1	40/1A	7,5	5	-

M93L Current Transformers single pole, Ø 42mm, Busbar 50x10 & 40x30mm

Series	MPN	Ratio	MPN	Ratio	VA Kl. 3	VA Kl. 1	VA Kl. 0.5
M93L	M93L-400/5	400/5A	M93L-400/1	400/1A	15	7,5	3,75
M93L	M93L-500/5	500/5A	M93L-500/1	500/1A	20	15	5
M93L	M93L-600/5	600/5A	M93L-600/1	600/1A	30	20	10
M93L	M93L-750/5	750/5A	M93L-750/1	750/1A	20	15	7,5
M93L	M93L-800/5	800/5A	M93L-800/1	800/1A	20	15	10
M93L	M93L-1000/5	1000/5A	M93L-1000/1	1000/1A	20	20	15



M93L	M93L-1200/5	1200/5A	M93L-1200/1	1200/1A	30	30	20
M93L	M93L-1250/5	1250/5A	M93L-1250/1	1250/1A	30	30	20
M93L	M93L-1500/5	1500/5A	M93L-1500/1	1500/1A	30	30	20
M93L	M93L-1600/5	1600/5A	M93L-1600/1	1600/1A	30	30	20

M93R Current Transformers single pole, Busbar 64x12,6 & 60x30mm

Series	MPN	Ratio	MPN	Ratio	VA Kl. 3	VA Kl. 1	VA Kl. 0.5
M93R	M93R-800/5	800/5A	M93R-800/1	800/1A	10	10	5
M93R	M93R-1000/5	1000/5A	M93R-1000/1	1000/1A	15	10	7,5
M93R	M93R-1200/5	1200/5A	M93R-1200/1	1200/1A	20	15	10
M93R	M93R-1250/5	1250/5A	M93R-1250/1	1250/1A	20	15	10
M93R	M93R-1500/5	1500/5A	M93R-1500/1	1500/1A	20	20	15
M93R	M93R-1600/5	1600/5A	M93R-1600/1	1600/1A	30	20	15
M93R	M93R-2000/5	2000/5A	M93R-2000/1	2000/1A	30	20	15

M93S Current Transformers single pole, Busbar 64x12,6 & 60x30mm

Series	MPN	Ratio	MPN	Ratio	VA Kl. 3	VA Kl. 1	VA Kl. 0.5
M93S	M93S-800/5	800/5A	M93S-800/1	800/1A	10	10	5
M93S	M93S-1000/5	1000/5A	M93S-1000/1	1000/1A	15	10	7,5
M93S	M93S-1200/5	1200/5A	M93S-1200/1	1200/1A	20	15	10
M93S	M93S-1250/5	1250/5A	M93S-1250/1	1250/1A	20	15	10
M93S	M93S-1500/5	1500/5A	M93S-1500/1	1500/1A	20	20	15
M93S	M93S-1600/5	1600/5A	M93S-1600/1	1600/1A	30	20	15
M93S	M93S-2000/5	2000/5A	M93S-2000/1	2000/1A	30	20	15

MA5Y

M93L

M93R

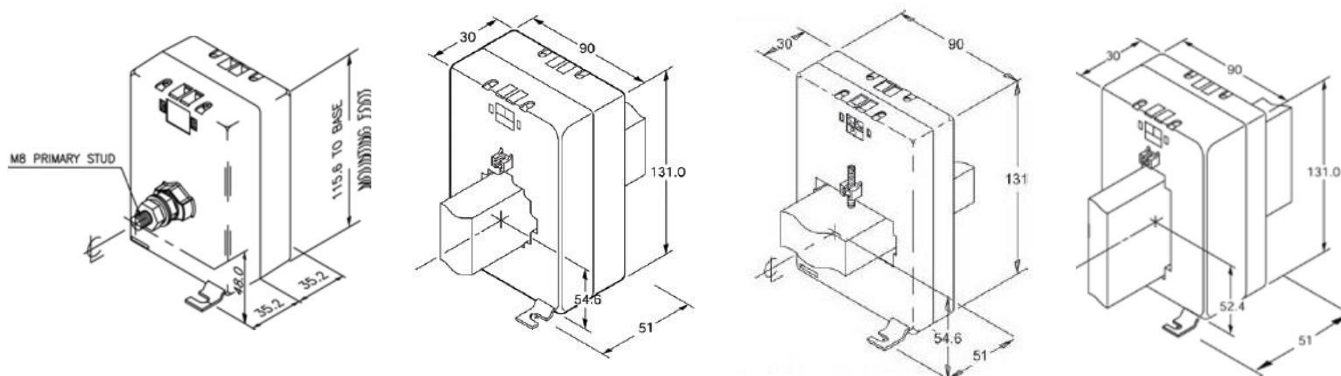
M93S

S95P & S97P Stromwandler Summenstromwandler, Schraubanschluss

Series	MPN	Ratio	MPN	Ratio	VA Kl. 3	VA Kl. 1	VA Kl. 0.5
S95P	S95P-5/5	5+5=5A	-	-	-	5	-
S95P	S95P-5/5/5	5+5+5=5A	-	-	-	5	-
S97P	S97P-5/5/5/5	5+5+5+5=5A	-	-	-	5	-
S97P	S97P-5/5/5/5/5	5+5+5+5+5=5A	-	-	-	5	-
S97P	S97P-5/5/5/5/5/5	5+5+5+5+5+5=5A	-	-	-	5	-

MB5D Current Transformers single pole, Ø 63mm, Busbar 80x30, 60x30 & 50x50mm

Series	MPN	Ratio	MPN	Ratio	VA Kl. 3	VA Kl. 1	VA Kl. 0.5
--------	-----	-------	-----	-------	----------	----------	------------

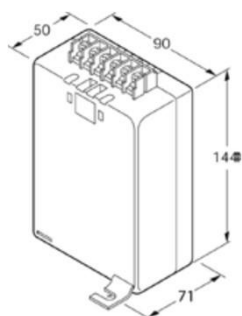


MB5D	MB5D-400/5	400/5A	MB5D-400/1	400/1A	15	10	7,5
MB5D	MB5D-500/5	500/5A	MB5D-500/1	500/1A	20	15	10
MB5D	MB5D-600/5	600/5A	MB5D-600/1	600/1A	15	10	5
MB5D	MB5D-750/5	750/5A	MB5D-750/1	750/1A	15	10	5
MB5D	MB5D-800/5	800/5A	MB5D-800/1	800/1A	20	15	7,5
MB5D	MB5D-1000/5	1000/5A	MB5D-1000/1	1000/1A	22,5	20	10
MB5D	MB5D-1200/5	1200/5A	MB5D-1200/1	1200/1A	30	20	15
MB5D	MB5D-1250/5	1250/5A	MB5D-1250/1	1250/1A	30	20	15
MB5D	MB5D-1500/5	1500/5A	MB5D-1500/1	1500/1A	30	20	15
MB5D	MB5D-1600/5	1600/5A	MB5D-1600/1	1600/1A	40	30	20
MB5D	MB5D-2000/5	2000/5A	MB5D-2000/1	2000/1A	50	40	30

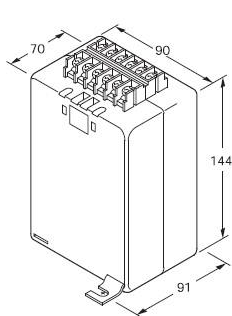
MB5Z Current Transformers single pole, Ø 35mm, Busbar 104 x 35mm

Series	MPN	Ratio	MPN	Ratio	VA Kl. 3	VA Kl. 1	VA Kl. 0.5
MB5Z	MB5Z-750/5	750/5A	MB5Z-750/1	750/1A	15	7,5	2,5
MB5Z	MB5Z-800/5	800/5A	MB5Z-800/1	800/1A	20	10	2,5
MB5Z	MB5Z-1000/5	1000/5A	MB5Z-1000/1	1000/1A	22,5	15	7,5
MB5Z	MB5Z-1200/5	1200/5A	MB5Z-1200/1	1200/1A	30	20	10
MB5Z	MB5Z-1250/5	1250/5A	MB5Z-1250/1	1250/1A	30	20	15
MB5Z	MB5Z-1500/5	1500/5A	MB5Z-1500/1	1500/1A	30	20	15
MB5Z	MB5Z-1600/5	1600/5A	MB5Z-1600/1	1600/1A	30	20	15
MB5Z	MB5Z-2000/5	2000/5A	MB5Z-2000/1	2000/1A	30	20	15
MB5Z	MB5Z-2400/5	2400/5A	MB5Z-2400/1	2400/1A	30	20	15
MB5Z	MB5Z-2500/5	2500/5A	MB5Z-2500/1	2500/1A	30	20	15
MB5Z	MB5Z-3000/5	3000/5A	MB5Z-3000/1	3000/1A	30	20	15
MB5Z	MB5Z-4000/5	4000/5A	MB5Z-4000/1	4000/1A	30	20	15

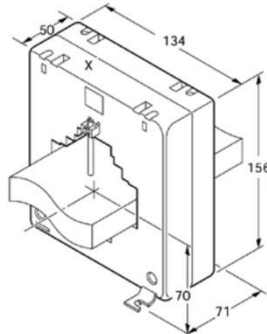
S95P



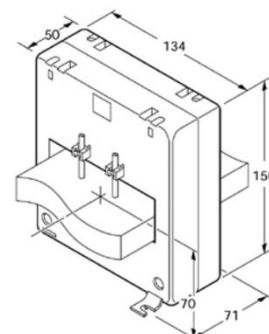
S97P



MB5D



MB5Z

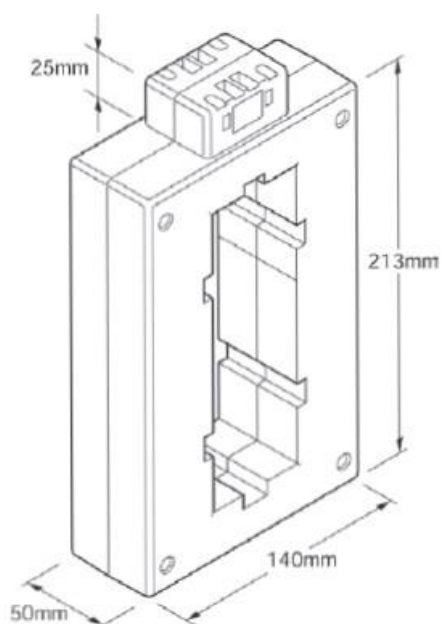


MC5T Current Transformers single pole, Busbar 50x160mm							
Series	MPN	Ratio	MPN	Ratio	VA Kl. 3	VA Kl. 1	VA Kl. 0.5
MC5T	MC5T-1600/5	1600/5A	MC5T-1600/5	1600/1A	45	30	20
MC5T	MC5T-2000/5	2000/5A	MC5T-2000/5	2000/1A	45	30	20
MC5T	MC5T-2500/5	2500/5A	MC5T-2500/5	2500/1A	60	45	30
MC5T	MC5T-3000/5	3000/5A	MC5T-3000/5	3000/1A	60	45	30
MC5T	MC5T-3200/5	3200/5A	MC5T-3200/5	3200/1A	60	45	30
MC5T	MC5T-4000/5	4000/5A	MC5T-4000/5	4000/1A	60	45	30
MC5T	MC5T-5000/5	5000/5A	-	-	60	45	30
MC5T	MC5T-6000/5	6000/5A	-	-	60	45	30

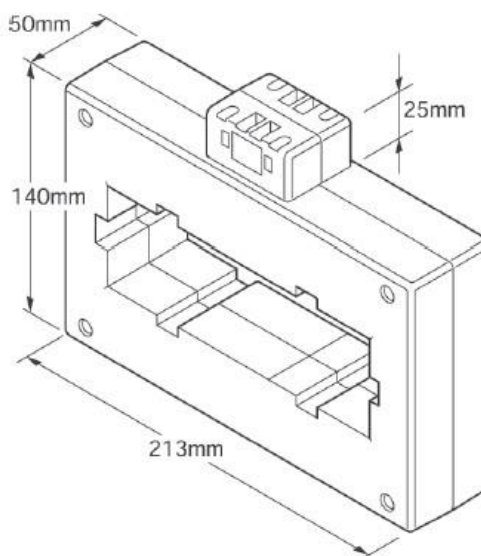
MD5T Current Transformers single pole, Busbar 160x50mm							
Series	MPN	Ratio	MPN	Ratio	VA Kl. 3	VA Kl. 1	VA Kl. 0.5
MD5T	MD5T-1600/5	1600/5A	MD5T-1600/5	750/1A	45	30	20
MD5T	MD5T-2000/5	2000/5A	MD5T-2000/5	800/1A	45	30	20
MD5T	MD5T-2500/5	2500/5A	MD5T-2500/5	1000/1A	60	45	30
MD5T	MD5T-3000/5	3000/5A	MD5T-3000/5	1200/1A	60	45	30
MD5T	MD5T-3200/5	3200/5A	MD5T-3200/5	1250/1A	60	45	30
MD5T	MD5T-4000/5	4000/5A	MD5T-4000/5	1500/1A	60	45	30
MD5T	MD5T-5000/5	5000/5A	-	1600/1A	60	45	30
MD5T	MD5T-6000/5	6000/5A	-	2000/1A	60	45	30

Accessories for „M“ type current transformers			
Description	Fur use with	VE	Product code.
DIN-Rail fixing clip 30mm	M53Q, M53J, M63N, M93L, M93R, M93S	2 pieces	M30-DINCLIP
DIN-Rail fixing clip 50mm	M55E, M65F, MA5G, MA5Y, S95P	2 pieces	M50-DINCLIP

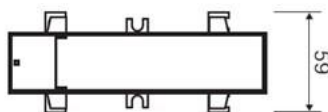
MC5T



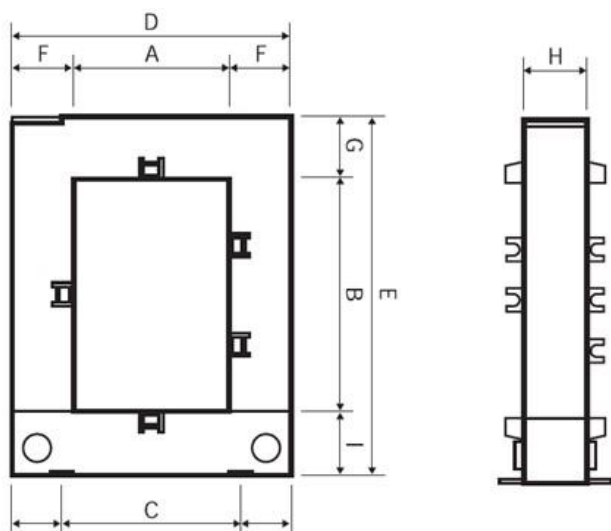
MD5T



Split core measuring current transformers



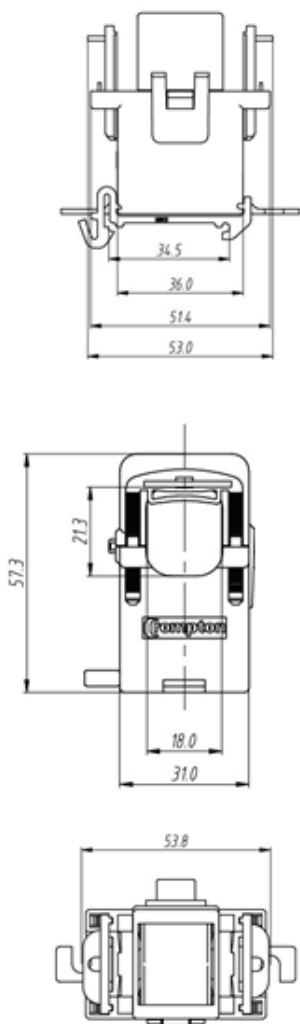
SC Current Transformers single pole, see table for dimensions														
MPN	Ratio	VA Kl. 3	VA Kl. 1	VA Kl. 0.5	A	B	C	D	E	F	G	H	I	kg
SC1-100/5A	100/5A	1,5	-	-	20	30	51	89	111	34	47	40	32	0,75
SC1-150/5A	150/5A	2	-	-	20	30	51	89	111	34	47	40	32	0,75
SC1-200/5A	200/5A	2,5	1,5	-	20	30	51	89	111	34	47	40	32	0,75
SC1-250/5A	250/5A	4	2	-	20	30	51	89	111	34	47	40	32	0,75
SC1-300/5A	300/5A	6	4	1,5	20	30	51	89	111	34	47	40	32	0,75
SC1-400/5A	400/5A	10	6	2,5	20	30	51	89	111	34	47	40	32	0,75
SC2-250/5A	250/5A	4	2	1	50	80	78	114	145	32	32	32	33	0,9
SC2-300/5A	300/5A	6	3	1,5	50	80	78	114	145	32	32	32	33	0,9
SC2-400/5A	400/5A	10	3	1,5	50	80	78	114	145	32	32	32	33	0,9
SC2-500/5A	500/5A	15	5	2,5	50	80	78	114	145	32	32	32	33	0,9
SC2-600/5A	600/5A	15	5	2,5	50	80	78	114	145	32	32	32	33	0,9
SC2-750/5A	750/5A	20	6	3	50	80	78	114	145	32	32	32	33	0,9
SC2-800/5A	800/5A	20	7,5	3	50	80	78	114	145	32	32	32	33	0,9
SC2-1000/5A	1000/5A	20	10	5	50	80	78	114	145	32	32	32	33	0,9
SC3-250/5A	250/5A	4	2	1	80	80	108	144	145	32	32	32	33	1,05
SC3-300/5A	300/5A	6	3	1,5	80	80	108	144	145	32	32	32	33	1,05
SC3-400/5A	400/5A	10	3	1,5	80	80	108	144	145	32	32	32	33	1,05
SC3-500/5A	500/5A	15	5	2,5	80	80	108	144	145	32	32	32	33	1,05
SC3-600/5A	600/5A	15	5	2,5	80	80	108	144	145	32	32	32	33	1,05
SC3-750/5A	750/5A	20	6	3	80	80	108	144	145	32	32	32	33	1,05
SC3-800/5A	800/5A	20	7,5	3	80	80	108	144	145	32	32	32	33	1,05
SC3-1000/5A	1000/5A	20	10	5	80	80	108	144	145	32	32	32	33	1,05
SC4-500/5A	500/5A	12,5	4	-	80	120	108	144	185	32	32	32	33	1,25
SC4-600/5A	600/5A	15	5	-	80	120	108	144	185	32	32	32	33	1,25
SC4-750/5A	750/5A	17,5	6	2,5	80	120	108	144	185	32	32	32	33	1,25
SC4-800/5A	800/5A	20	7,5	3	80	120	108	144	185	32	32	32	33	1,25
SC4-1000/5A	1000/5A	20	10	5	80	120	108	144	185	32	32	32	33	1,25
SC4-1200/5A	1200/5A	25	12,5	6	80	120	108	144	185	32	32	32	33	1,25
SC4-1250/5A	1250/5A	30	15	7,5	80	120	108	144	185	32	32	32	33	1,25
SC4-1500/5A	1500/5A	30	17	8	80	120	108	144	185	32	32	32	33	1,25
SC4-1600/5A	1600/5A	30	17	8	80	120	108	144	185	32	32	32	33	1,25
SC5-1000/5A	1000/5A	20	15	10	80	160	120	184	245	52	52	52	38	4,3
SC5-1250/5A	1250/5A	20	15	10	80	160	120	184	245	52	52	52	38	4,3
SC5-1500/5A	1500/5A	25	20	15	80	160	120	184	245	52	52	52	38	4,3
SC5-2000/5A	2000/5A	25	20	15	80	160	120	184	245	52	52	52	38	4,3
SC5-2500/5A	2500/5A	25	20	15	80	160	120	184	245	52	52	52	38	4,3
SC5-3000/5A	3000/5A	30	25	20	80	160	120	184	245	52	52	52	38	4,3
SC5-4000/5A	4000/5A	30	25	20	80	160	120	184	245	52	52	52	38	4,3
SC5-5000/5A	5000/5A	30	25	20	80	160	120	184	245	52	52	52	38	4,3
SC5-6000/5A	6000/5A	30	25	20	80	160	120	184	245	52	52	52	38	4,3



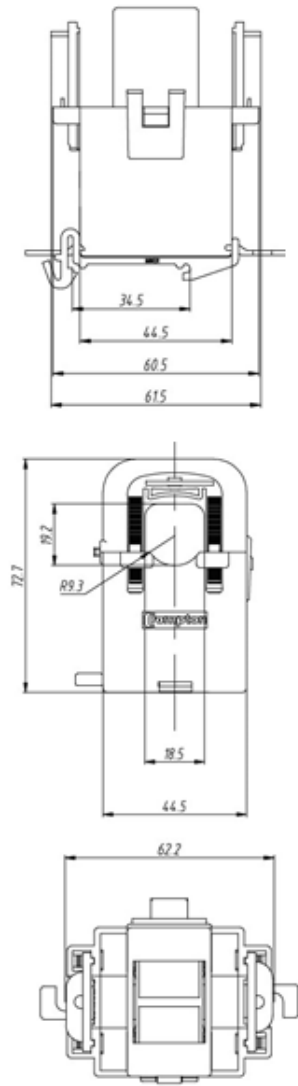
Miniature split core measuring current transformers

MSC current transformers, single pole, with shorting link and connection cable						
MPN	Ratio	Id (mm)	VA Kl. 3	VA Kl. 1	Cable length (m)	Cable coding
MSC1-60/1	60/1A	18	0,1	-	3	S1 = White, S2 = Black
MSC1-75/1	75/1A	18	0,1	-	3	S1 = White, S2 = Black
MSC1-80/1	80/1A	18	0,15	-	3	S1 = White, S2 = Black
MSC1-100/1	100/1A	18	-	0,2	3	S1 = White, S2 = Black
MSC2-100/1A	100/1A	18	-	1	3	S1 = White, S2 = Black
MSC2-100/5A	100/5A	18	-	1	1	S1 = White, S2 = Black
MSC2-150/1A	150/1A	18	-	1	3	S1 = White, S2 = Black
MSC2-150/5A	150/5A	18	-	1	1	S1 = White, S2 = Black
MSC2-200/1A	200/1A	18	-	1	3	S1 = White, S2 = Black
MSC2-200/5A	200/5A	18	-	1	1	S1 = White, S2 = Black
MSC2-250/1A	250/1A	18	-	1	3	S1 = White, S2 = Black
MSC2-250/5A	250/5A	18	-	1	1	S1 = White, S2 = Black
MSC3-300/1A	300/1A	28	-	1,5	3	S1 = White, S2 = Black
MSC3-300/5A	300/5A	28	-	1,5	1	S1 = White, S2 = Black
MSC3-400/1A	400/1A	28	-	2,5	3	S1 = White, S2 = Black
MSC3-400/5A	400/5A	28	-	2,5	1	S1 = White, S2 = Black
MSC3-500/1A	500/1A	28	-	2,5	3	S1 = White, S2 = Black
MSC3-500/5A	500/5A	28	-	2,5	1	S1 = White, S2 = Black

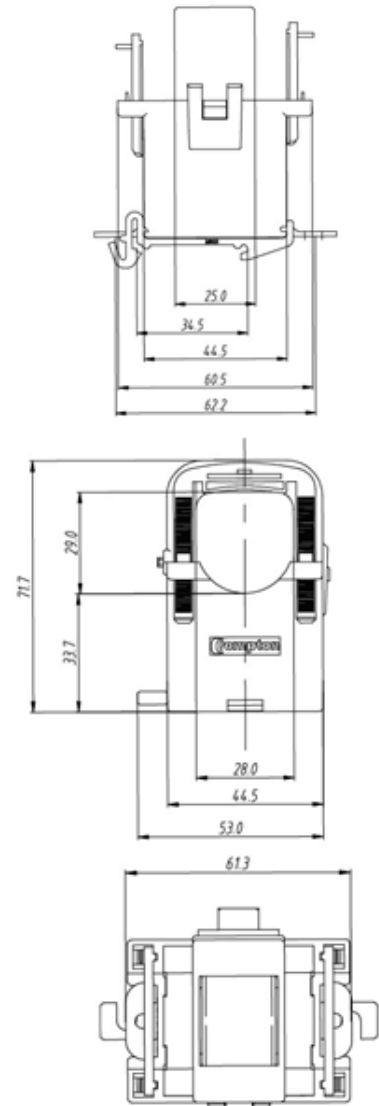
MSC1



MSC2



MSC3



Overview additional current transformers

We offer the full range of TE Connectivity – Crompton Instruments current transformers. If you miss a current transformer for your dedicated application, we will be glad to assist.

Overview additional current transformers from Sifam Tinsley instrumentation

3 in 1 current transformers with RJ45 connection

- different versions
- 60 to 800A nominal current
- Output 100mA



3 in 1 current transformers with plug in connector

- different versions
- 60 to 800A nominal current
- Output 5A



Ring type current transformers

- several versions
- 40 to 4000A nominal current



Current transformers with accuracy 0,2s

- several versions
- 5 to 5000A nominal current



Current- and voltage transformers with ANSI spec.

- several versions
- 50 to 4000A nominal current
- wide range of nominal voltages
- CTs for metering and relaying



Low Voltage Current Transformers

General functionality , features and specification

General

Low Voltage Current Transformers are used to transfer high primary currents into a low level secondary current, which can be easily used in measuring applications. The relation between the input primary current and the output secondary current gives always a proportional signal.

Usage

For use with analogue indicators, digital metering systems, transducers, measuring relays and other components that accept an AC input signal.

Anwendbare Normen

IEC/EN 60044-1, EN61010-1, UL Listung (Ebony Series) with file no. 257877

Case and enviromental conditions

Self-extinguishing polycarbonate in accordance to UL94V-0.

Operating temperature: -20°C to +85°C (MSC, SC Series -20°C to +70°C)

Degree of protection : IP20 (terminals), IP40 (Case)

For indoor use

Insulation class: E, to IEC85, BS2757

Relative humidity: 0-90%, none condensing

Electrical specification

System voltage: max. 720V AC

Nominal frequency: 50/60Hz

Primäry current: See product specification

Secondary current: 5A or 1A

Tes voltage: 3KV 50Hz for 1 minute.

Nomninal burden and class index: See product specification

Connection: See product specification

Saturation coefficient: <5 (<10 for primay wound CTs)

Accuracy classes and typical usage

Class 0,2 and 0,2s: Laboratory use and network analyzers

Class 0,5 and 0,5s: Enregy Measurment

Class 1: Current and Power

meters Class 3: General usage

Overload:

Permanent overload: 1,2 x In

Short time thermal overload (Ith): 60 x In (SC Series 100 x In for 1 Sekunde)

Short time dynamic overload (Idyn): 2,55 x Ith