



R7600E-H 4G Router

Quick Start Guide

4G Router

SIMCom Wireless Solutions Limited

Building 3, SIMCom Headquarters Building, No.289, Linhong Road
Changning District, Shanghai P.R. China

Tel: 86-21-31575100
support@simcom.com

www.simcom.com

Document Title:	R7600E-H 4G Router Quick Start Guide
Version:	1.0
Date:	2020-08-25
Status:	Released

COPYRIGHT

THIS DOCUMENT CONTAINS PROPRIETARY TECHNICAL INFORMATION WHICH IS THE PROPERTY OF SIMCOM WIRELESS SOLUTIONS LIMITED. COPYING, TO OTHERS AND USING THIS DOCUMENT, ARE FORBIDDEN WITHOUT EXPRESS AUTHORITY BY SIMCOM. OFFENDERS ARE LIABLE TO THE PAYMENT OF INDEMNIFICATIONS. ALL RIGHTS RESERVED BY SIMCOM IN THE PROPRIETARY TECHNICAL INFORMATION, INCLUDING BUT NOT LIMITED TO REGISTRATION GRANTING OF A PATENT, A UTILITY MODEL OR DESIGN. ALL SPECIFICATION SUPPLIED HEREIN ARE SUBJECT TO CHANGE WITHOUT NOTICE AT ANY TIME.

SIMCom Wireless Solutions Limited

Building 3, SIMCom Headquarters Building, No.289, Linhong Road, Changning District, Shanghai
P.R.China Tel: +86 21 31575100
Email: simcom@simcom.com

For technical support, or to report documentation errors, please visit:

<https://www.simcom.com/ask/> or email to: support@simcom.com

Copyright © 2020 SIMCom Wireless Solutions Limited All Rights Reserved.

Contents

1 Package contents	4
2 R7600E-H Hardware Interfaces	5
3 Specification	6
4 Preparing your SIM card	6
4.1. Prepare your SIM card with proper data plan form local ISP	6
4.2. Use SIM eject tool to eject the SIM card tray, connect 4G antenna	7
4.3. Connect your computer or device to the router with network cable, power on the 4G router	7
4.4. Check the LED lights	7
5 Configuration	8
6 FAQ	9
6.1 Cannot access the router GUI using a web browser?	9
6.2 Internet is not accessible	9
6.3 Forgot password	9

1 Package contents



R7600E-H Industrial 4G Router

1* 4G antenna (optional)

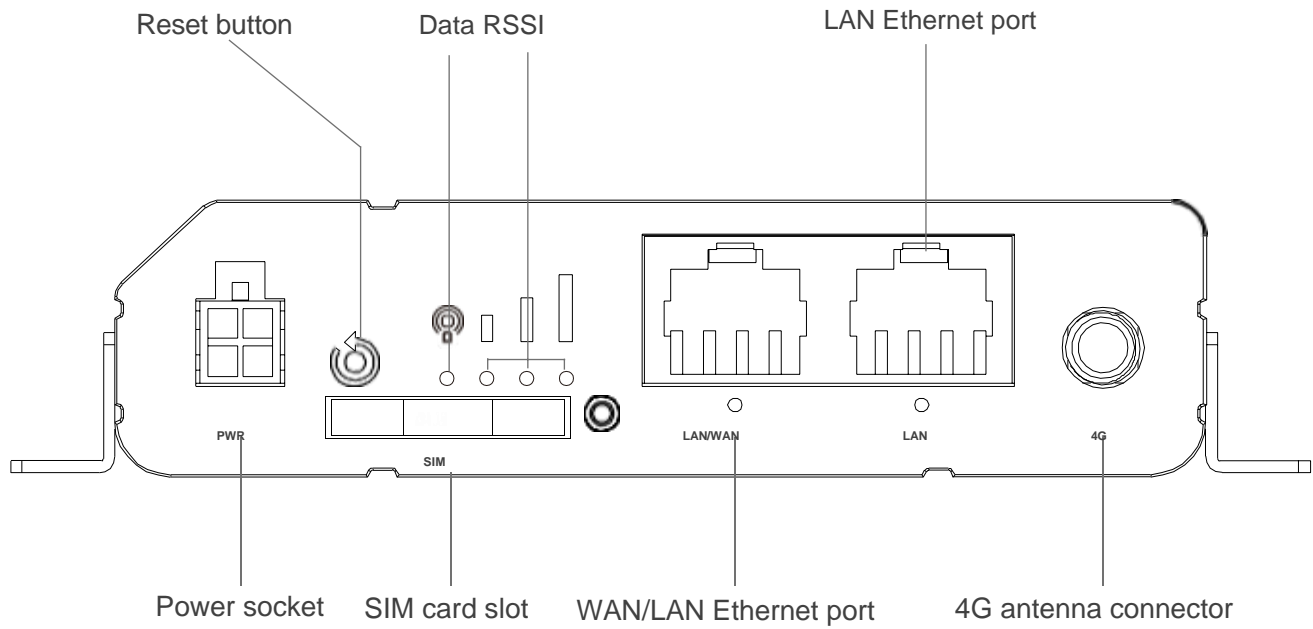
1* network cable (RJ-45, 1m, optional)

1* AC adapter (optional)

NOTE

if any of the items is damaged or missing, contact your retailer.

2 R7600E-H Hardware Interfances



3 Specification

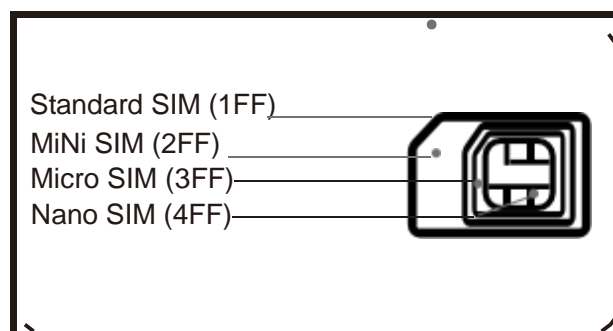
Cellular	4G Cat.4: DL up to 150 Mbps, UL up to 50Mbps	LTE-FDD: B1/ B3/ B7/ B8/B20/ B28 WCDMA: B1/B8
Power supply	+9V~12V	4 pin DC
Power consumption	Standby power consumption	About 100mA@12V DC
	Working power consumption	About 270mA@12V DC
Dimensions	93.7×74.9×23.7(mm)	(without power connector and bracket)
Operating temperature	-30°C~+75°C	
Storage temperature	-40°C~+85°C	
Relative humidity	≤95%	

4 Preparing your SIM card

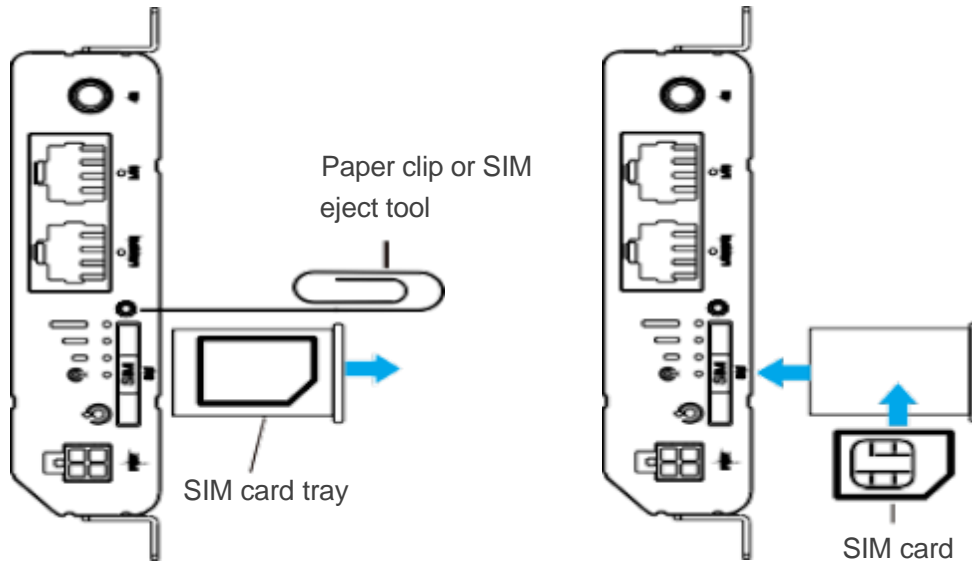
4.1 Prepare your SIM card with proper data plan form local ISP

NOTE

R7600E-H only support 2FF SIM card

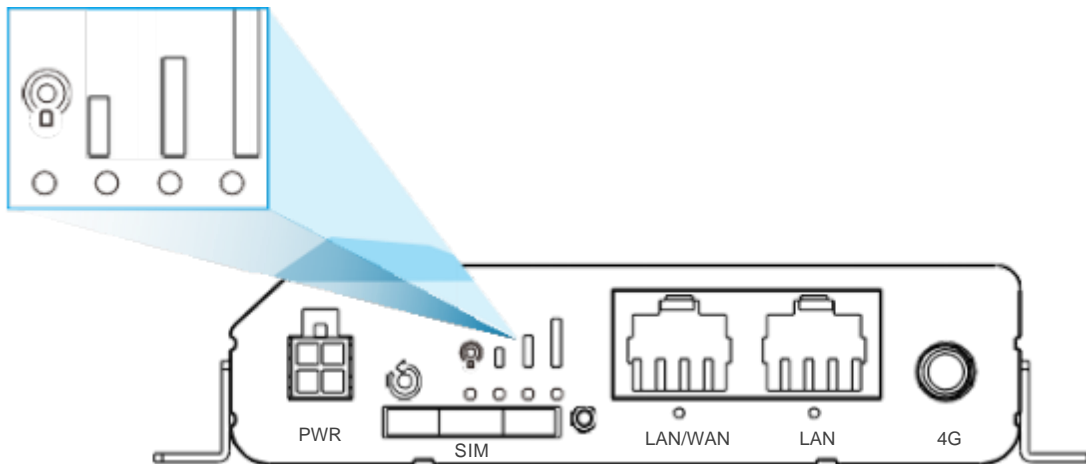


4.2 Use SIM eject tool to eject the SIM card tray, connect 4G antenna



4.3 Connect your computer or device to the router with network cable, power on the 4G router

4.4 Check the LED lights.



Data LED:

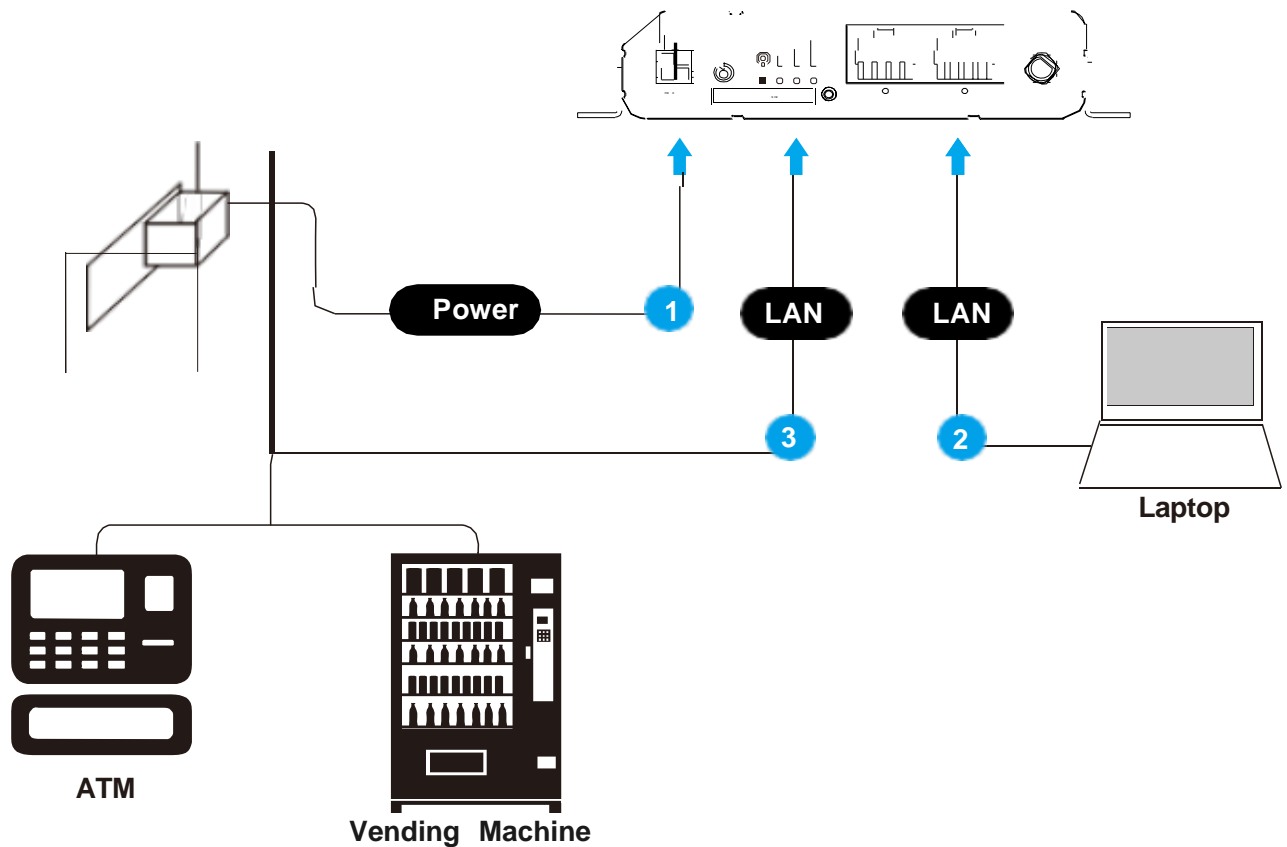
On: Connected to 4G cellular network
 Off: No connection
 Flashing: Connected and transmitting

Cell signal LED (RSSI):

Signal strength of the cellular network
 If all off means no cell founded.

5 Configuration

Once power cable, SIM card, antenna is connected well, R7600E-H is ready to provide 4G connection. And you can setup your R7600E-H router via wired connection.



Enter default web GUI <http://192.168.8.1/>
 Default login name/password is admin/admin

6 FAQ

6.1 Cannot access the router GUI using a web browser?

Check cable connection and login info.

Delete the cookies, or change the browser, Google Chrome is highly recommended.

6.2 Internet is not accessible

- Check SIM card data plan and antenna connection, and modem APN setting. Check the modem status in WEB UI if there is cellular IP.
- Check your computer's IP address and gateway address.
- Check the cell operator band fits router bands (default bands B1/3/7/8/20/28, more info please contact your retailer).

6.3 Forgot password

Press reset button with SIM eject tool for at least 8 seconds, system will restore to default setting.