

DMX 5050 RGBW flex led strip 120LEDs/m



◆ Product Description:

5050 LED chip, 120LEDs/m, double row

DMX IC chip and controlled by DMX controller

Input voltage is DC24V

Flexible PCB, FPC color is white

PCB with 1+2 Oz copper, 20mm width

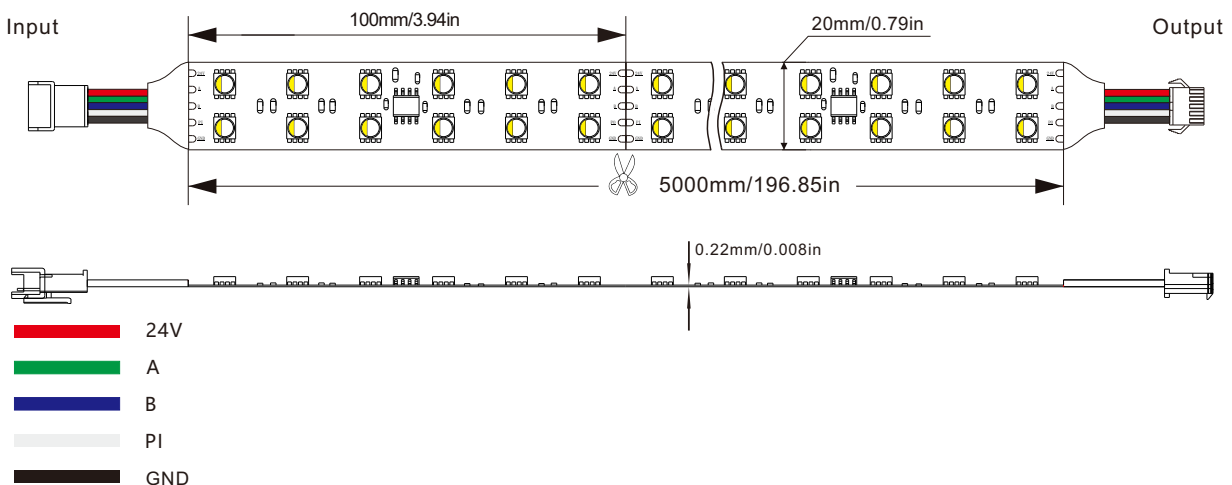
Standard 5m/roll, length can be customized



◆ Product Datasheet

Product Number	S020120CC4DC0	Luminance/M	R:90 G:291 B:76 W:413lm
Operating Voltage	DC24V	Ra	/
Power/M	19.2W	Beam Angle	120°
SMD Type	SMD 5050	Size (mm)	5000x20mm
LED Qty/M	120	IP Rate	IP20/IP65
Color	RGB+W:3000K/4000K/6000K	Operation Temperature	- 25 ~ 60 °C
Pixel/M	10	Material	FPC
Control	DMX/TM512AC	Cutting Length	100mm
Wavelength	R:620-625 G:520-525 B:460-465nm	Net Weight/Roll	0.224Kg

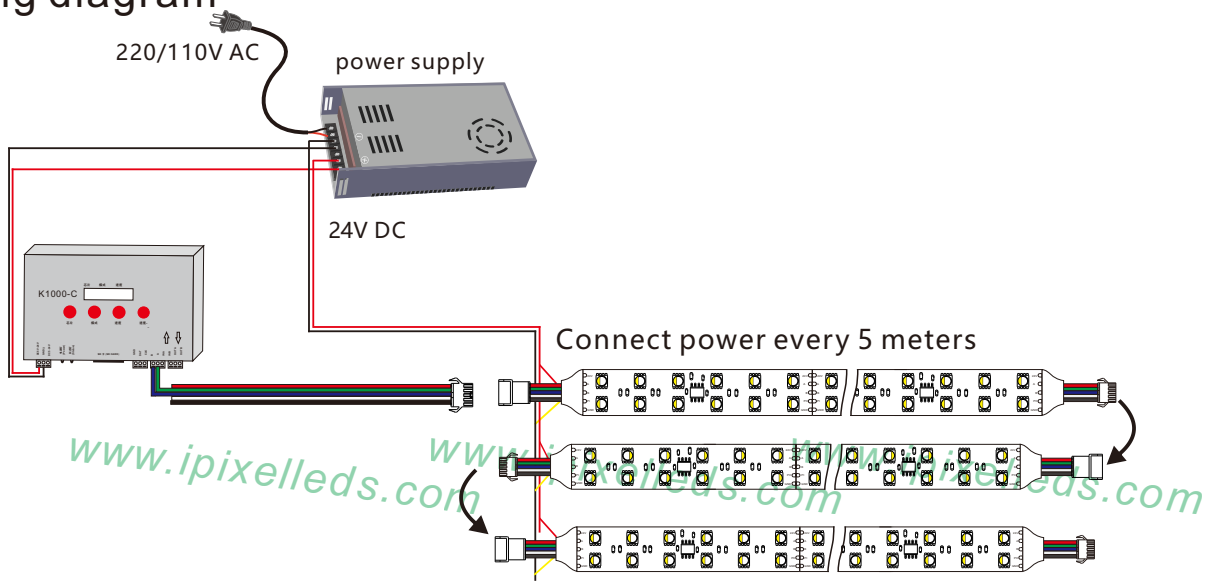
◆ Outline Dimension (unit: mm)



◆ Order number

DC24V	RGB+W:3000K	White PCB	IP20	S020120CC4DC0/C1
DC24V	RGB+W:4000K	White PCB	IP20	S020120CC4DC0/C2
DC24V	RGB+W:6000K	White PCB	IP20	S020120CC4DC0/C3
DC24V	RGB+W:3000K	White PCB	IP65	S020120CC4DC0/C4
DC24V	RGB+W:4000K	White PCB	IP65	S020120CC4DC0/C5
DC24V	RGB+W:6000K	White PCB	IP65	S020120CC4DC0/C6

◆ Wiring diagram



◆ Strip IP Rate



◆ Accessories



Screw

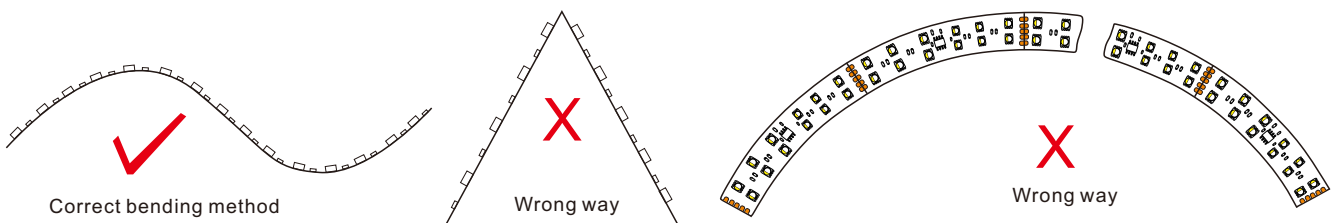


Silicone clip



End cap

◆ Schematic diagram of maximum bending prevention



Note: The parameters are subject to change without notice!