

## COB RGB+W+WW LED Strip 840LEDs/m



### ◆ Product Description:

- High density, the light is even and soft
- High efficiency, remarkable energy saving effect
- Intelligent lighting, colorful RGBWW;
- Double layer PCB, balancing voltage drop, heat dissipation and flexibility.
- Chip longitudinal distribution, high reliability;
- Standard 5M/roll, length can be customized



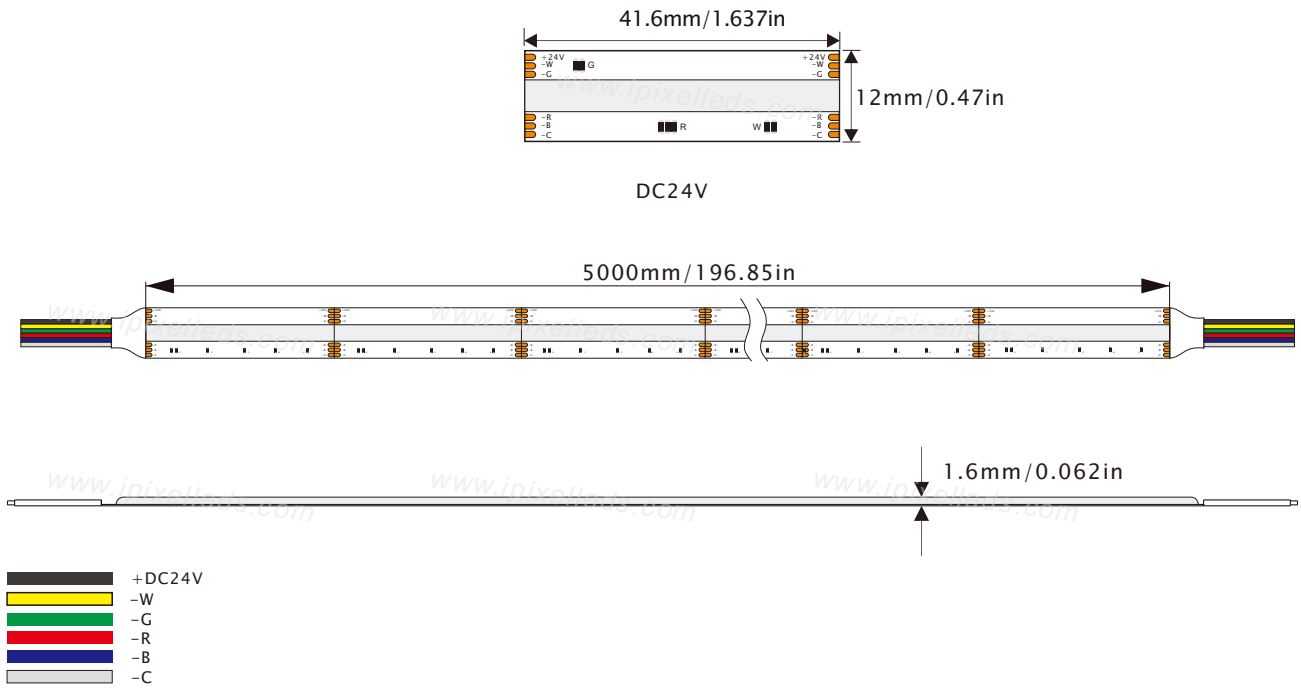
### ◆ Product Datasheet

Product Number	S012840ZC5PZ
Operating Voltage	DC24V
Power/m	1.6W
SMD Type	COB
LED Qty/m	840
Cutting Length	41.6mm
Color	RGBWW:2700K+6500K
Luminance/m	R :102.4 G:301 B:47.7 WW:248.3 CW:262.5
Wavelength	R:615-630 G:520-535 B:450-460 nm
Control	PWM
Beam Angle	180°
Size	5000x12mm
IP Rate	IP20/IP65
Operation Temperature	- 25 ~ 60°C

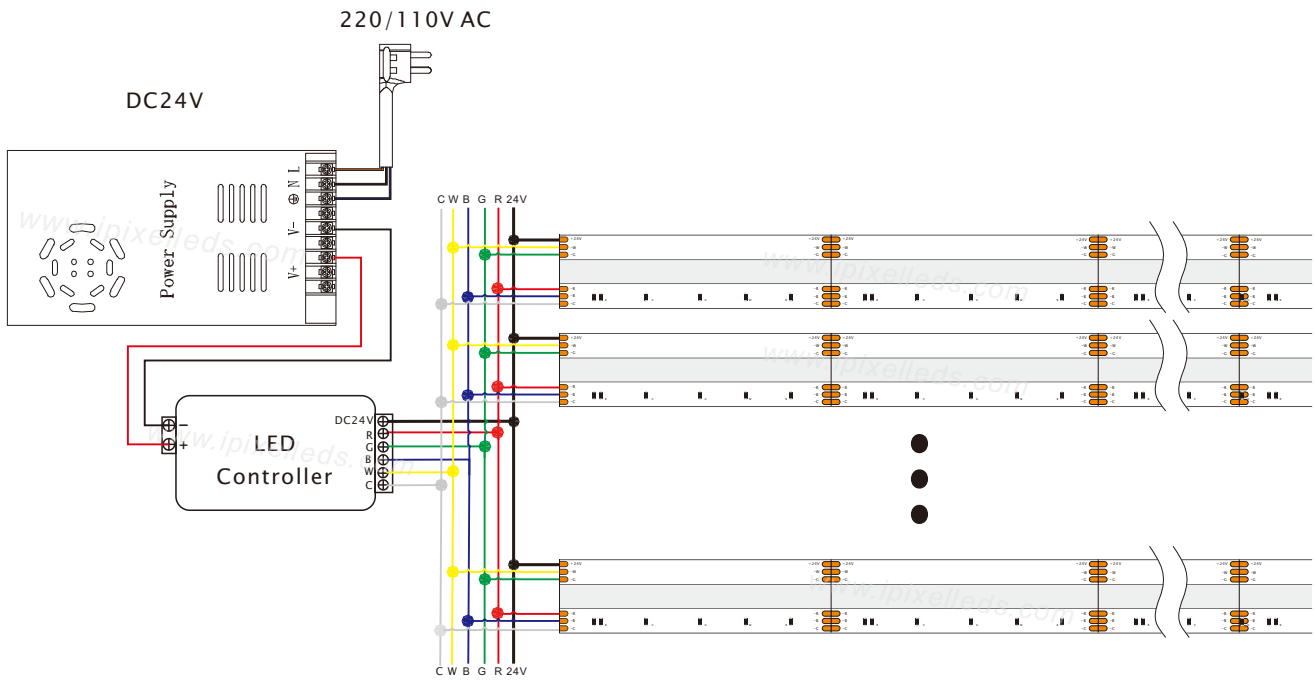
#### Remarks:

- 1.The above parameters were tested according to integrating sphere TM-30-15.
- 2.The output data is based on IP20 and one meter.
- 3.The data such as power etc, ±15% tolerance is normal.
- 4.IP protection process causes changes in size, CCT and luminous flux.

## Outline Dimension (unit:mm)



## Wiring diagram



## IP Rate



## ◆ Order number

DC24V	RGBWW:2700K+6500K	White PCB	IP20	S012840ZC5PZ/C1
DC24V	RGBWW:2700K+6500K	White PCB	IP65	S012840ZC5PZ/C2

## ◆ Related products



Power supply

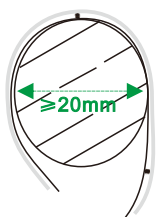


Alum profile

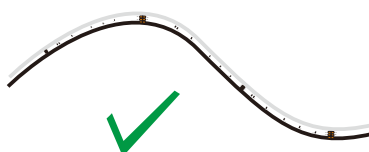


RF dimmer

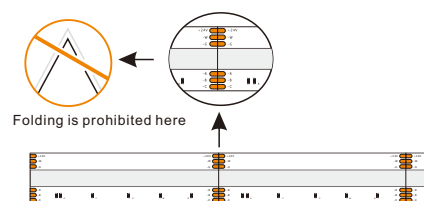
## ◆ Schematic diagram of maximum bending prevention



Bending diameter  $\geq 20\text{mm}$



Correct bending method



Wrong method

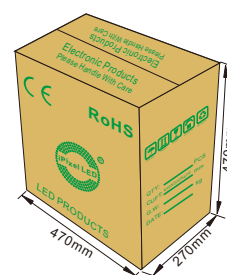
## ◆ Product packaging



Reel



Antistatic bag



Note: The parameters are subject to change without notice!