

## DMX512 5050 RGBW pixel LED Strip 60LEDs/m 24V



### ◆ Product Description:

RGBW DMX512 LED strip , manual set DMX Address by coder

60LEDs & 40 DMX channels per meter (10Pixels)

The whole strip is 5meters long, but the cutting unit is 100mm, each section contains 6LEDs and 4 channels

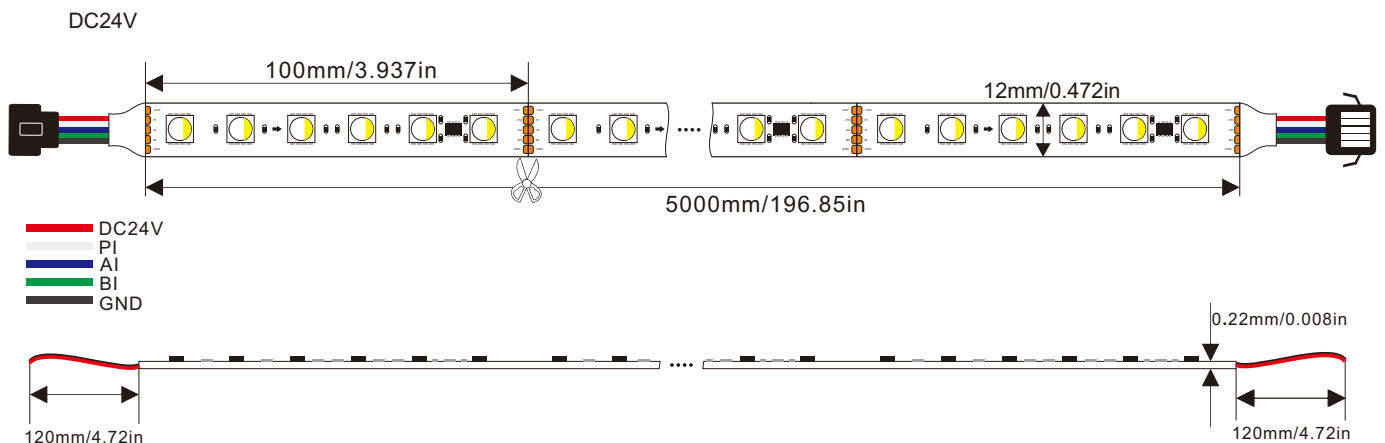
300P 3M tape attached on backside of PCB  
It's easy to run with any standard control by DMX512 controller which support RGBW



### ◆ Product Datasheet

Product Number	S012060CC4DC0	Luminance/M	R: 90 G: 170 B: 54 W: 344lm
Operating Voltage	DC24V	Ra	/
Power/M	19.2W	Beam Angle	120°
SMD Type	SMD 5050	Size (mm)	5000 * 12mm
LED Qty/M	60	IP Rate	IP20/IP64/IP65/IP67
Color	RGB+W:3000K/4000K/6000K	Operation Temperature	- 25 ~ 60 °C
Pixel/M	10	Material	FPC
Control	DMX512	Cutting Length	100mm
Wavelength	R:620-625 G:520-525 B:460-465nm	Net Weight/Roll	0.12KG

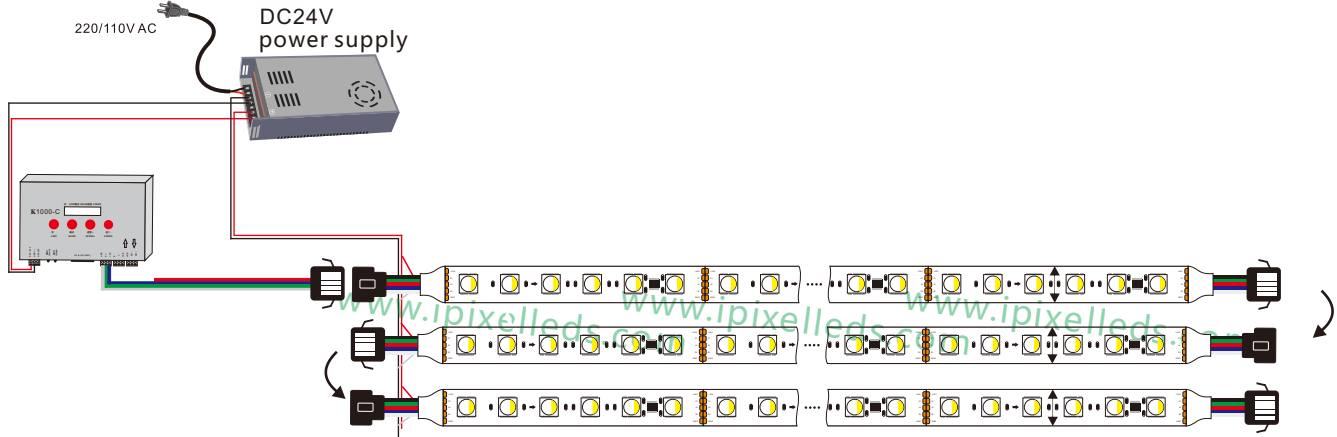
### ◆ Outline Dimension (unit: mm)



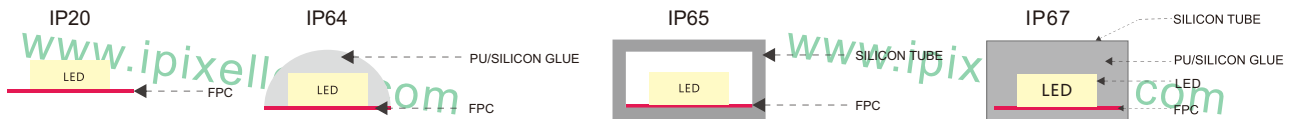
## ◆ Order number

DC24V	RGB+W:3000K	White PCB	IP20	S012060CC4DC0/C1
DC24V	RGB+W:4000K	White PCB	IP20	S012060CC4DC0/C2
DC24V	RGB+W:6000K	White PCB	IP20	S012060CC4DC0/C3
DC24V	RGB+W:3000K	White PCB	IP65	S012060CC4DC0/C4
DC24V	RGB+W:4000K	White PCB	IP65	S012060CC4DC0/C5
DC24V	RGB+W:6000K	White PCB	IP65	S012060CC4DC0/C6

## ◆ Wiring diagram



## ◆ Strip IP Rate



## ◆ Accessories



Screw

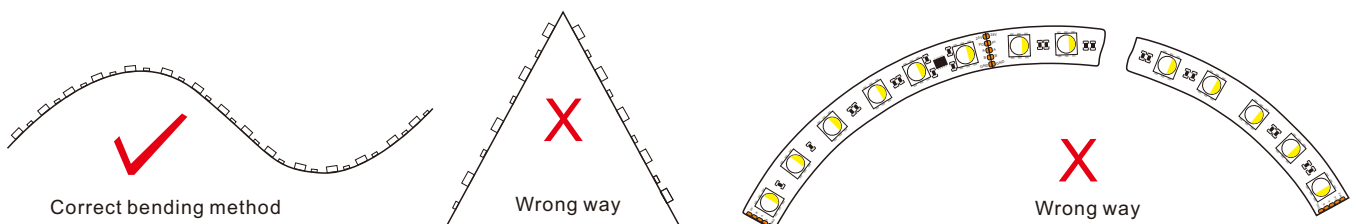


Silicone clip



End cap

## ◆ Schematic diagram of maximum bending prevention



Note: The parameters are subject to change without notice!