

2835 RGB flex led strip



◆ Product Description :

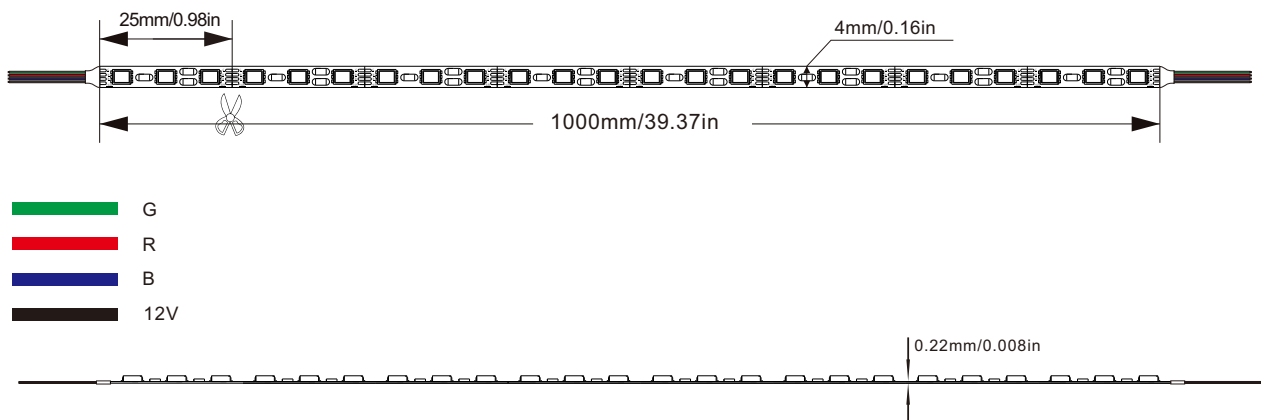
- This led strip with 60pcs SMD2835 RGBLED chips
- Use PWM controller
- Input voltage is DC12V
- Flexible PCB, PCB color is white
- Ultra narrow PCB with 4mm, 1 + 2 Oz copper



◆ Product parameter

Product Numbe	S004060BB3PZ	Control	PWM
Operating Voltage	DC12V	Net Weight/Roll	0.24Kg
Power/M	7.2W	Beam Angle	120°
SMD Type	SMD 2835	Size (mm)	1000 * 4mm
LED Qty/M	60	IP Rate	IP20/IP65
Color	R G B	Operation Temperature	- 25 ~ 60 °C
Pixel/M	/	Material	FPC
Wavelength	R:620-625 G:520-525 B:460-465nm	Cutting Length	25mm

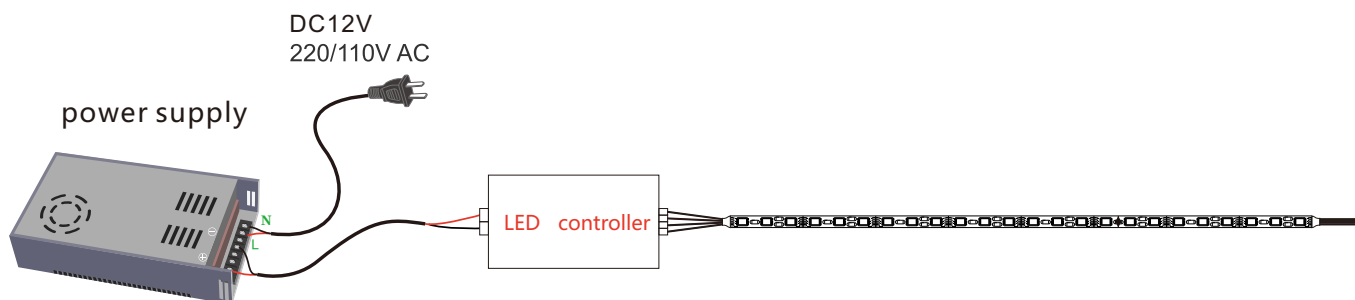
◆ Outline Dimension (unit: mm)



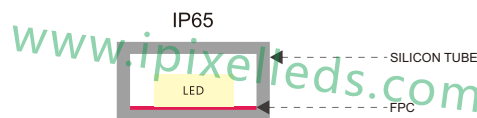
◆ Order number

DC12V	RGB	White PCB	IP20	S004060BB3PZ/C1
DC12V	RGB	White PCB	IP65	S004060BB3PZ/C2

◆ Wiring diagram



◆ Strip IP Rate



◆ Accessories



Screw



Silicone clip



End cap

Note: The parameters are subject to change without notice!