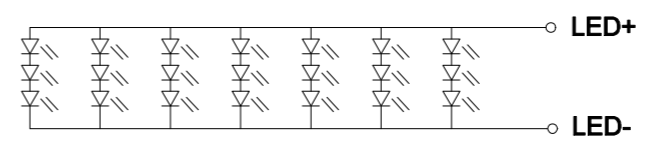
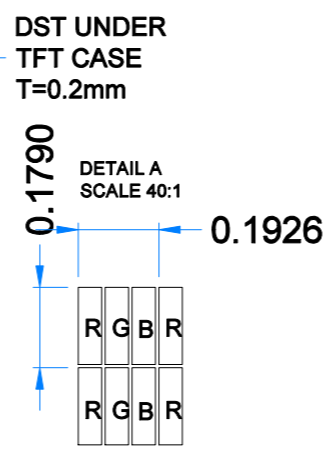
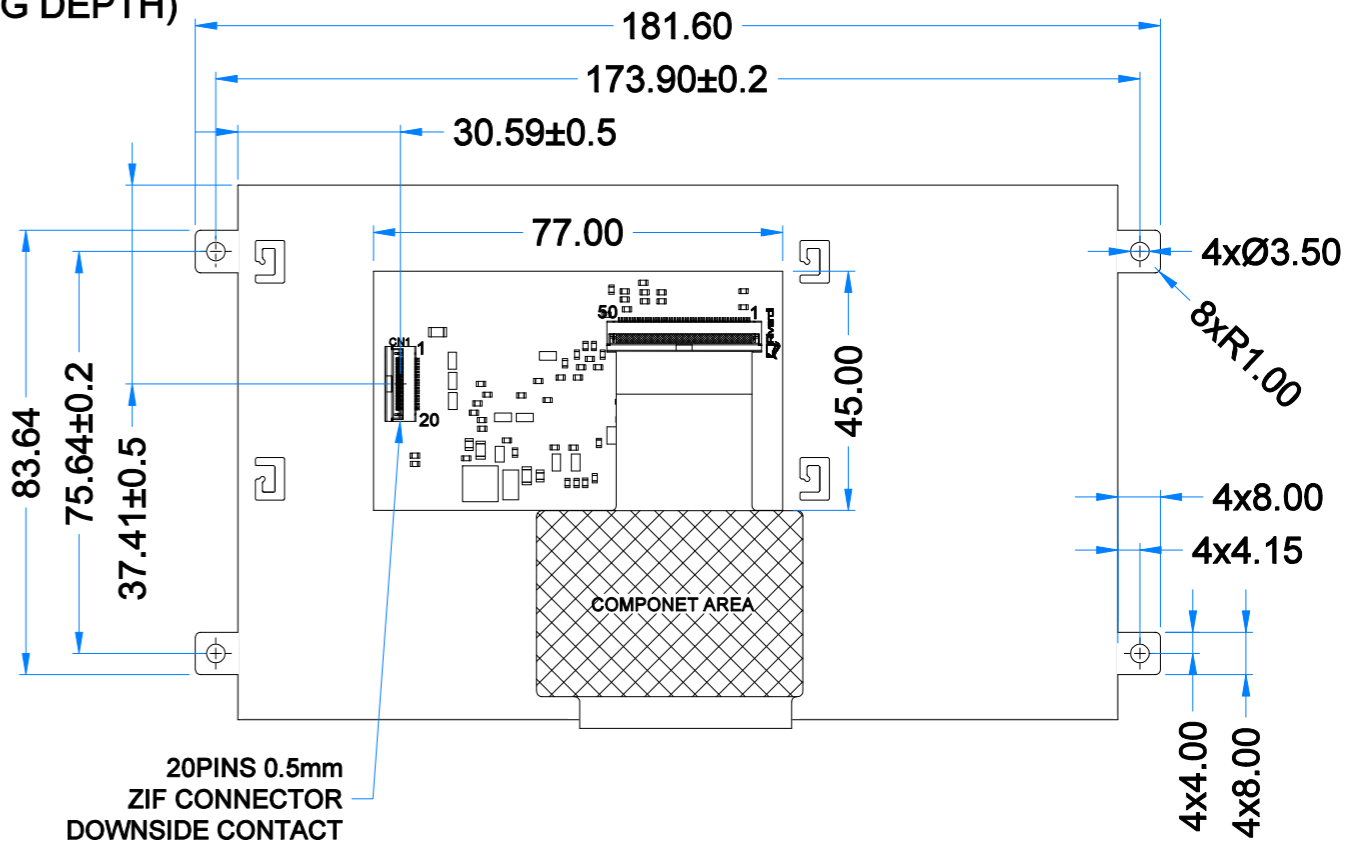
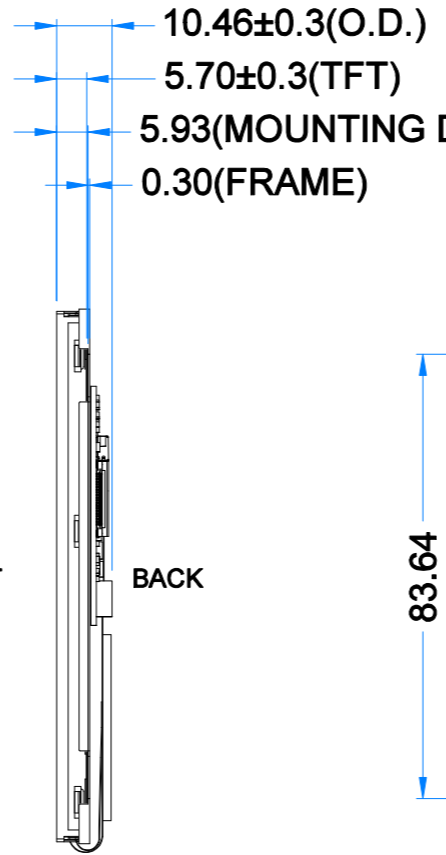
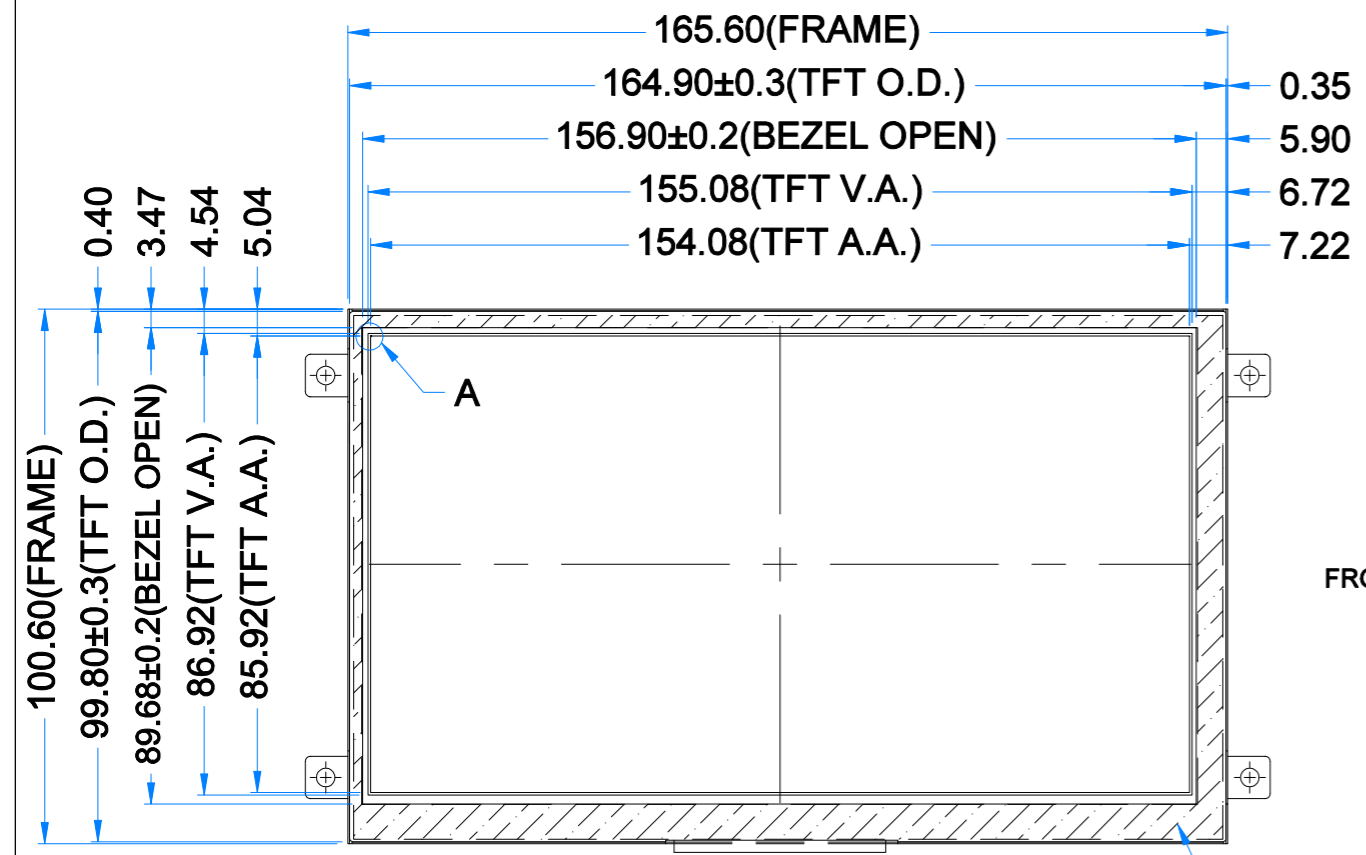


Revision:	Changes:	Date:
2.0	LCD Change	2020.08.06



BACKLIGHT CIRCUIT DIGRAM

NOTES:
 1. DISPLAY TYPE: TFT, TRANSMISSIVE, NORMALLY WHITE
 2. OPERATING VOLTAGE: VDD=3.3V
 3. RESOLUTION: 800x480
 4. VIEWING DIRECTION: 12 O'CLOCK
 5. IC DRIVER: FT812
 6. LED BACKLIGHT: 21-LED WHITE, BUILT-IN LED INVERTER
 7. SURFACE LUMINANCE: 500 cd/m²

GENERAL NOTES:
 1. OPERATING TEMPERATURE: -20°C ~ 70°C
 2. STORAGE TEMPERATURE: -30°C ~ 80°C
 3. WITHOUT INDIVIDUAL TOLERANCE: ±0.3mm
 4. RoHS COMPLIANT

PN: RVF70AQFFWN00 V2		
SN:		
DRAWN: M.Natywa	2020.08.06	1:1.42
CHECKED: A.Demko	2020.08.10	[mm]
APPR:	ISO A3	P. 1 of 1



ZIF CONNECTOR			
Pin No.	Desc.	Pin No.	Desc.
1	VDD	11	GPIO0/IO2
2	GND	12	GPIO01/IO3
3	SPI_SCLK	13	GPIO2
4	MISO/IO1	14	GPIO3
5	MOSI/IO0	15	NC
6	CS	16	NC
7	INT	17	BLVDD
8	PD	18	BLVDD
9	NC	19	BLGND
10	AUDIO_OUT	20	BLGND