



## RVA-SPK1.5W-C150

Rev.1.0  
2021-12-01

The speaker is developed as the accessory of [Riverdi's all EVE4 series displays](#).



## 1. REVISION RECORD

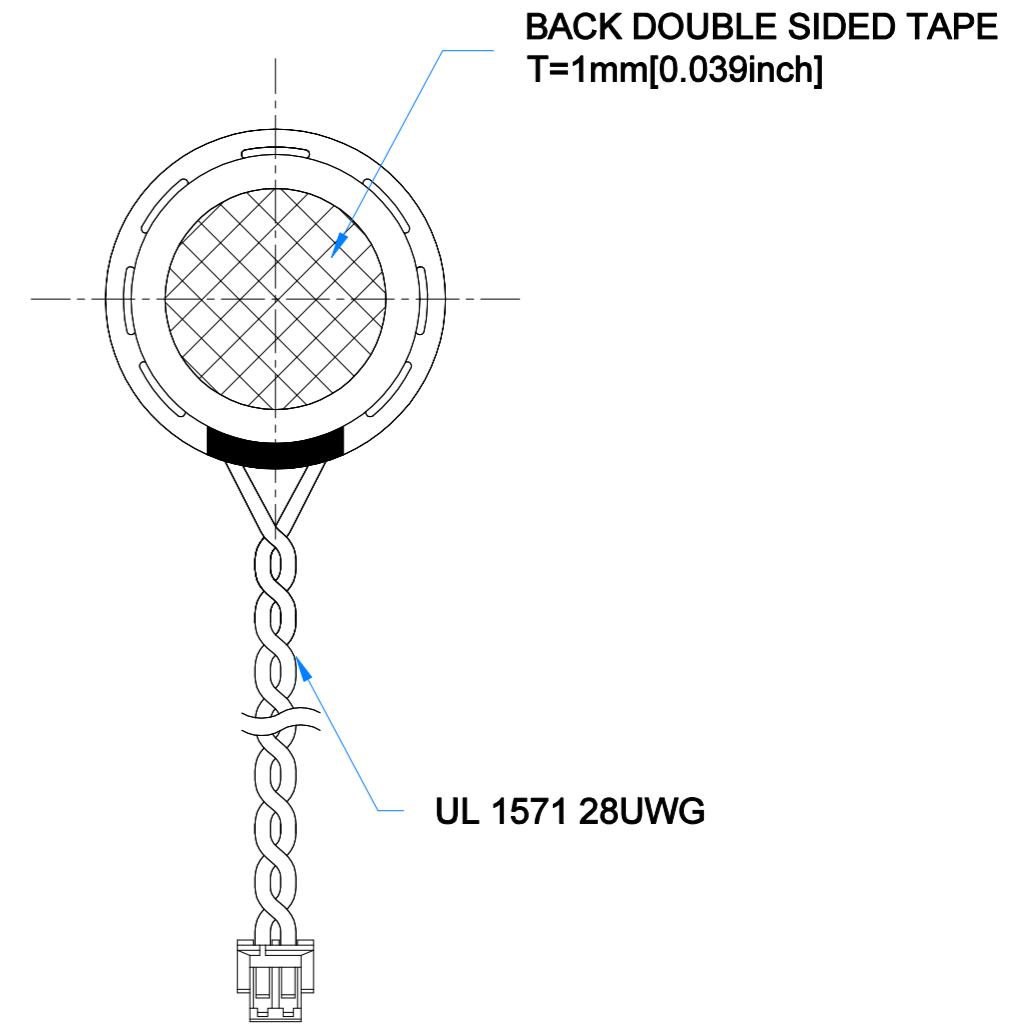
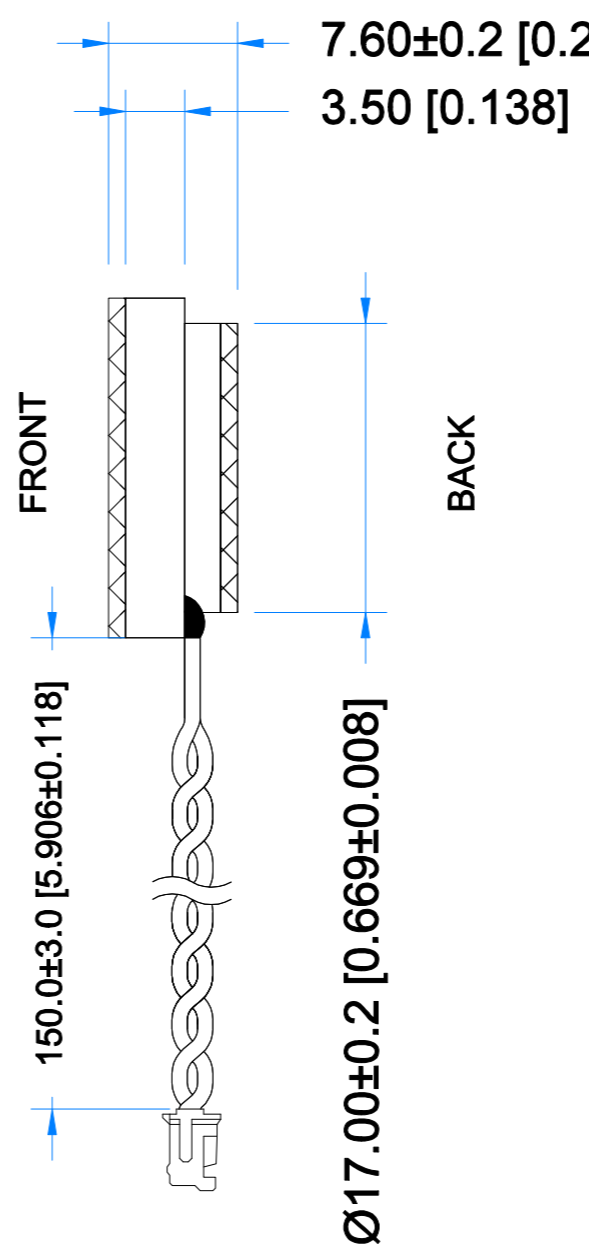
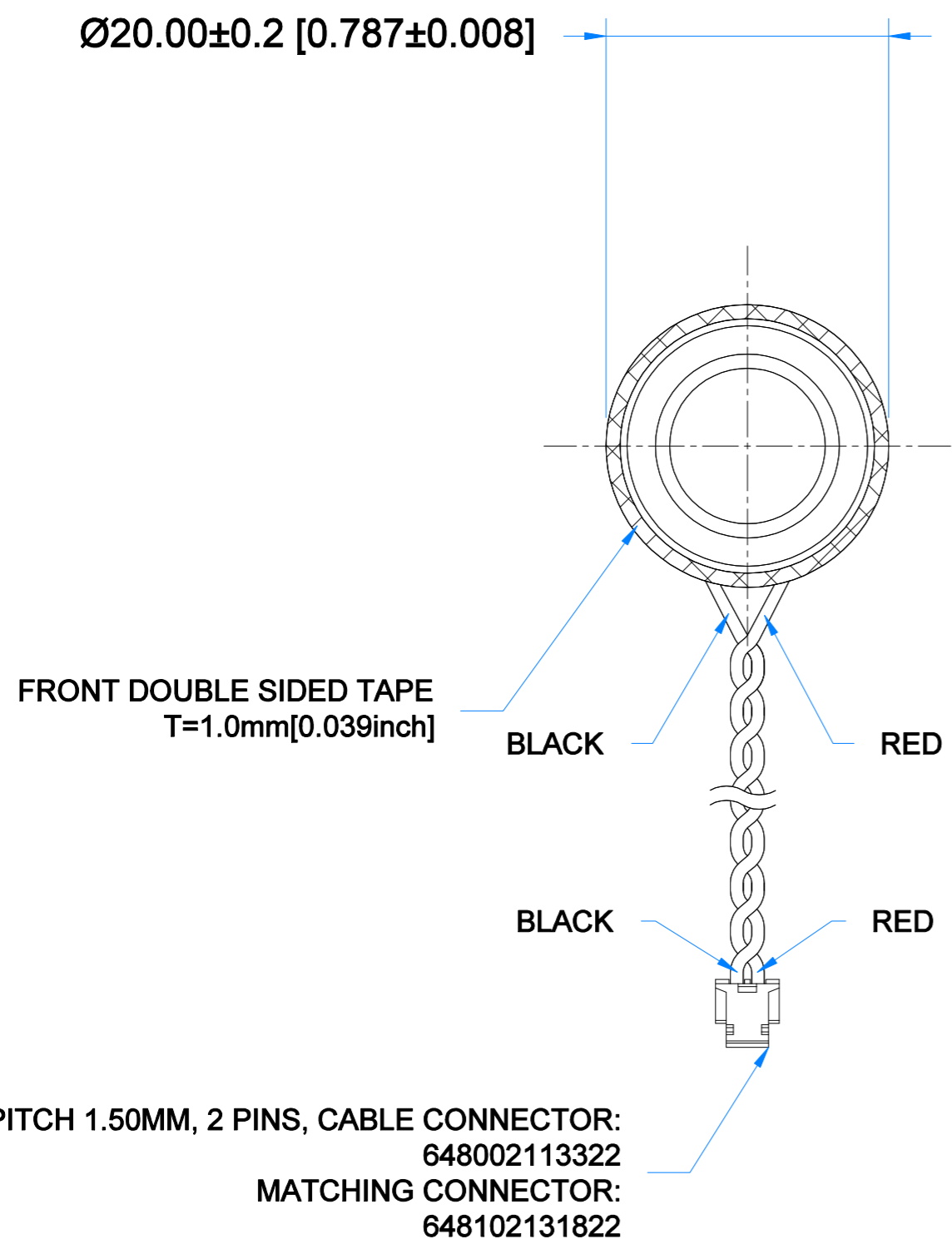
REV NO.	REV DATE	CONTENTS	REMARKS
1.0	2021-12-01	Initial Release	



## 2. CONTENTS

1. REVISION RECORD.....	2
2. CONTENTS.....	3
3. DRAWING.....	4
4. SPEAKER SPECIFICATION .....	5
4.1 Electrical parameters.....	5
4.2 Acoustical parameters.....	5
5. WIRE AND CONNECTOR SPECIFICATION.....	6
5.1 Physical properties.....	6
6. LEGAL INFORMATION.....	6

Revision:	Changes:	Date:
1.0	Initial Case	2021.10.26



**SPEAKER NOTES:**  
1. TYPE: DYNAMIC SPEAKER  
2. RATED IMPENDANCE: 8.0±15ohms@2kHz  
3. RATED NOISE POWER: 1.5W (IN FREE AIR)  
4. SHORT TERM MAX. POWER: 2.0W (IN FREE AIR)  
5. SOUND PRESSURE LEVEL: 86±3dB SPL@0.1W 0.1m

**GENERAL NOTES:**  
1. OPERATING TEMPERATURE: -20°C ~ 55°C  
2. STORAGE TEMPERATURE: -20°C ~ 55°C  
3. WITHOUT INDIVIDUAL TOLERANCE: ±0.3mm  
4. RoHS COMPLIANT  
5. PRODUCT WEIGHT:4g

RVA-SPK1.5W-C150			
PN:			
SN:			
DRAWN: M.Natywa	2021.10.26	1:0.45	
CHECKED: Carol Gao	2021.12.01	[mm]	
APPR:		ISO A3	
			P. 1 of 1



## 4. SPEAKER SPECIFICATION

### 4.1 Electrical parameters

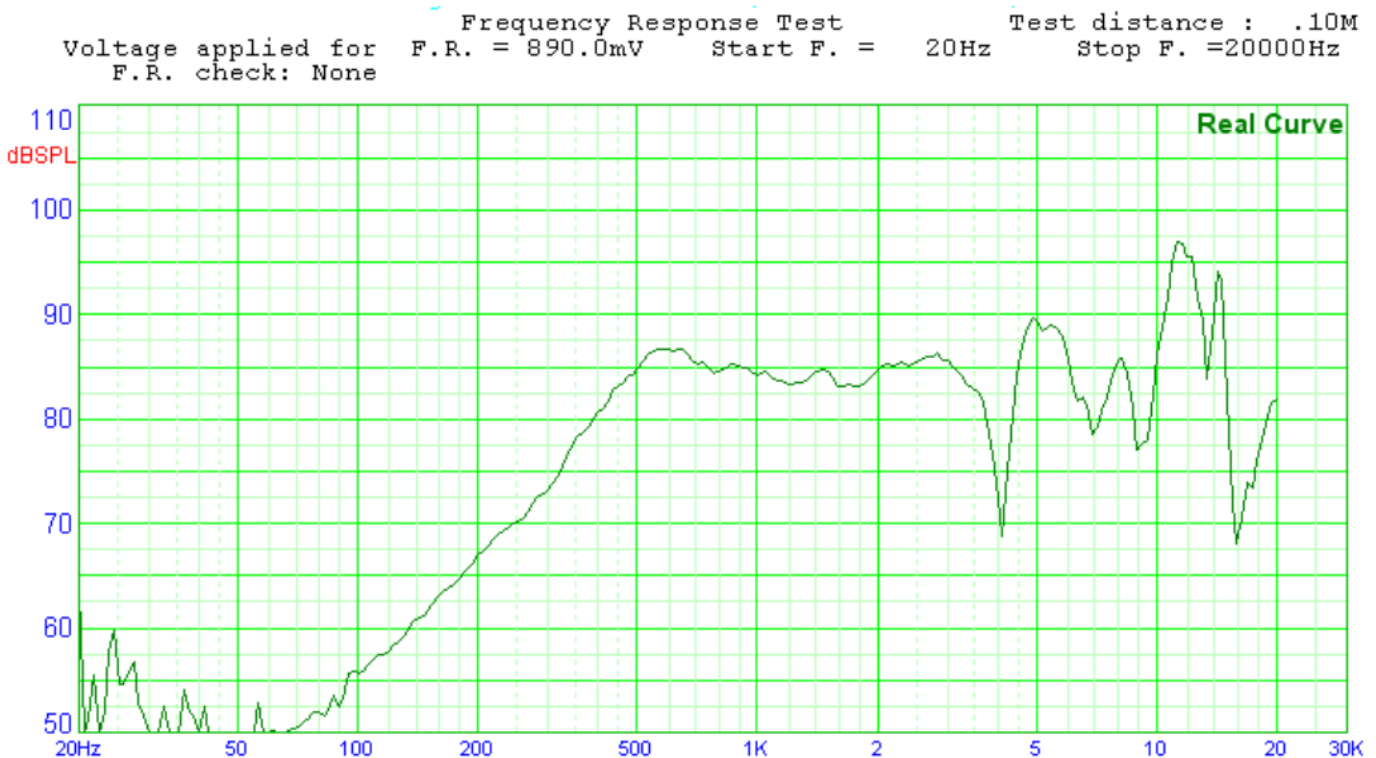
ITEM	PARAMETERS	NOTE
Rated Impedence	8.0 ± 15%ohms @2kHz, 1V rms input	
Rated Noise Power	1.5 W	In free air
Short Term Maximum Power	2.0W	

**Note:** Operating and storage temperature range of speaker is -20 °C to +55 °C.

### 4.2 Acoustical parameters

ITEM	PARAMETERS	NOTE
Sound Pressure Level	86 ± 3dB SPL@ 0.1W (Sine wave) 0.1 m Average 1000,1200,1500,2000Hz	
Bas Resonance Frequency	700 ± 20 % Hz	In free air
Rated frequency range	F0 – 10 kHz	See Figure 1
Total harmonic distortion	<15% @1kHz 1.5W	

**Figure1 Typical Frequency Response (Only Reference)**





## 5. WIRE AND CONNECTOR SPECIFICATION

### 5.1 Physical properties

ITEM	PARAMETERS	NOTE
Pitch Size of Connector	1.50 mm	
Pins of Connector	2	
UL Style of Wire	UL1571 28UWG	
Length of the Cable	150 mm	

## 6. LEGAL INFORMATION

This document has been issued for informational purposes only. It can be updated or altered without any written notice. Riverdi cannot be held responsible for not announcing any changes or issuing next revisions or versions of this document.

Hi, I am here to help you!  
If you have any additional  
questions, please contact  
our support via email:  
[contact@riverdi.com](mailto:contact@riverdi.com)

