

## Radio Transmitter module with crystal oscillator 433.92MHz - ASK/OOK Modulation

RCTX-434 is a transmitter module with crystal oscillator, allow to realize a complete Remote Keyless adding a coding circuit.

ASK/OOK Modulation. Metallic shield.  
3 Volt version. 5 Volt version.



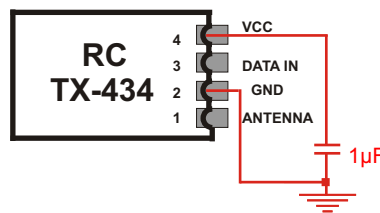
On request is possible to customize the frequency.

### Technical Characteristics

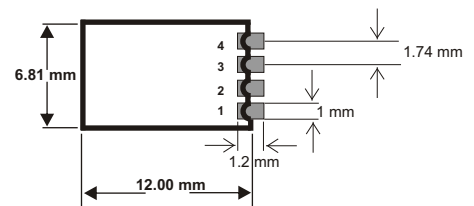
Characteristics	MIN	TYP	MAX	UNIT
V <sub>cc</sub> Supply Voltage (5 Volt version)	4	5	12	Vdc
V <sub>cc</sub> Supply Voltage (3 Volt version)	2.2	3	3.6	Vdc
I Supply Current ( TX mode)		21		mA
I <sub>s</sub> Current Consumption (standby mode)		< 1		μA
P <sub>o</sub> RF Power Output		11		dBm
F XTAL Frequency		433.92		MHz
F Frequency Tolerance		+/- 20		KHz
Max Data Rate			50	Kbit/s
Power Up Time			1	ms
T <sub>OP</sub> Operating Temperature Range	-25		+80	°C

### Pin Description

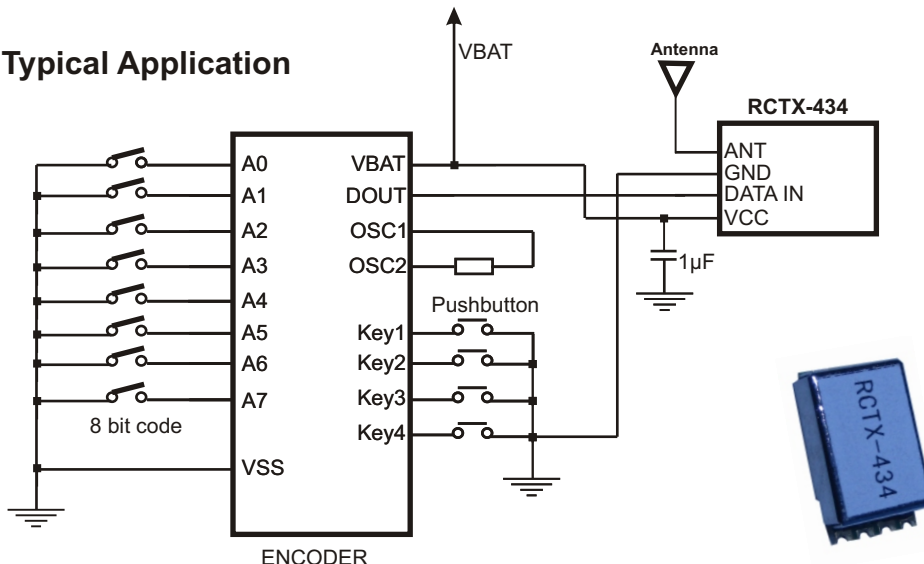
Pads	Name	Description
1	ANT	External Antenna
2	GND	Ground
3	DATA IN	Data Input
4	VCC	Power Supply



### Mechanical dimensions



### Typical Application



### Applications :

- Wireless security systems
- Home and building automation
- Automatic Measure Reading
- Wireless Sensor Network