

AM Superhet receiver 868.35MHz

RCRX-868 is an AM superhet data receiver module. ASK/OOK Modulation. Metallic shield. Miniaturized version (SMD mounting). Available 3Volt and 5Volt.



Technical Characteristics

Characteristics	MIN	TYP	MAX	UNIT
V _{cc} Supply Voltage	3.0 / 4.4		3.6 / 5.0	Vdc
I _s Current Consumption (RX mode)		10		mA
I _s Current Consumption (Shut down mode)		<100		nA
F Frequency		868.35	868.45	MHz
S RF Sensitivity	-108		-112	dBm
T Rise Time			<100	ms
D Max Data Rate		10		Kbit/s
B RF Bandwidth 3dB		360		KHz
T Operating Temperature Range	-40		+80	°C

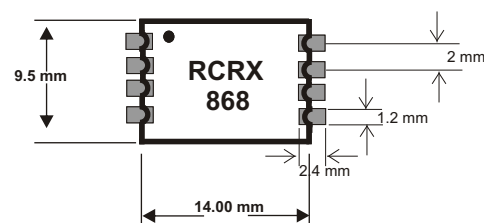
Pin Description

Pads	Name	Description
1	ANT	External antenna
2,3	GND	Ground
4	PD	Power Down
5	DOUT	Data Out
6,7	GND	Ground
8	VCC	Power Supply

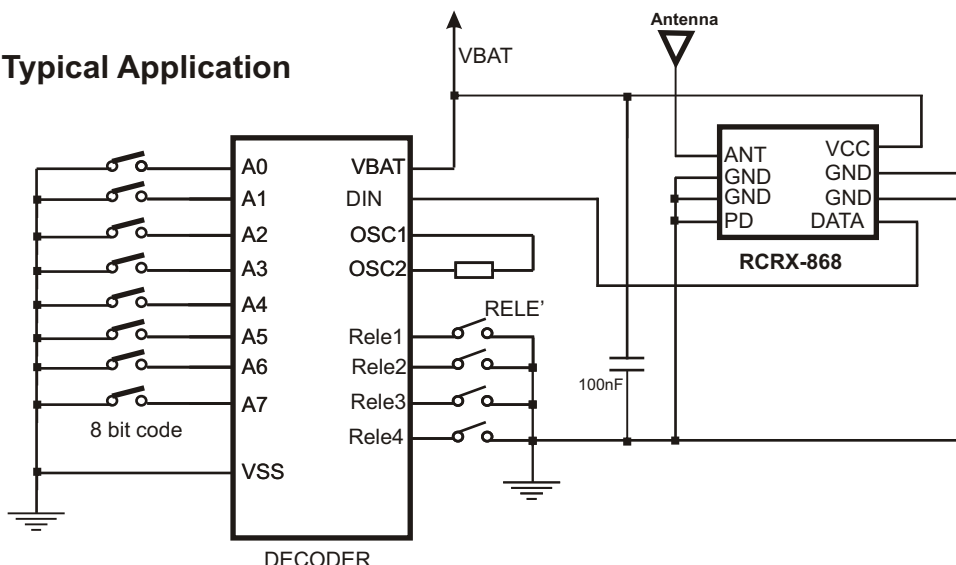


PD = 0V ----> RX ON
 PD = 5V ----> RX OFF

Mechanical dimensions



Typical Application



Applications :

- Wireless security systems
- Home and building automation
- Automatic Measure Reading
- Wireless Sensor Network

