

Autonics DIGITAL PRESSURE SENSOR (Pneumatic type) PSQ SERIES INSTRUCTION MANUAL



Thank you for choosing our Autonics product. Please read the following safety considerations before use.

Safety Considerations

Please observe all safety considerations for safe and proper product operation to avoid hazards. Failure to follow these instructions may result in fire, personal injury, or economic loss.

Warning Failure to follow these instructions may result in serious injury or death.
Caution Failure to follow these instructions may result in personal injury or product damage.

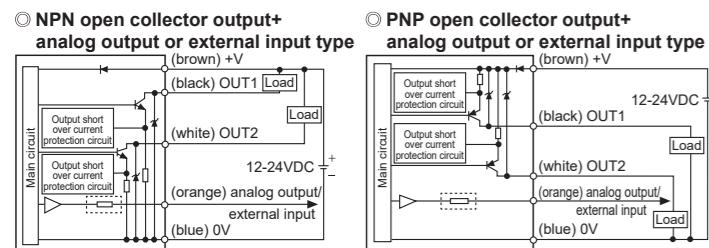
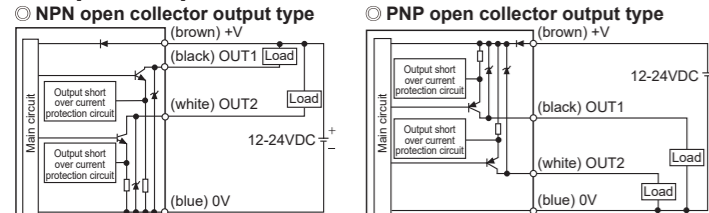
Warning

- 1. Fail-safe device must be installed when using the unit with machinery that may cause serious injury or substantial economic loss. (e.g. nuclear power control, medical equipment, ships, vehicles, railways, aircraft, combustion apparatus, safety equipment, crime/disaster prevention devices, etc.)
- 2. Install on a device panel or to a pressure port directly to use.
- 3. Do not connect, repair, or inspect the unit while connected to a power source.
- 4. Check 'Connections' before wiring.
- 5. Do not disassemble or modify the unit.

Caution

- 1. Use the unit within the rated specifications.
- 2. Use dry cloth to clean the unit, and do not use water or organic solvent.
- 3. This product is designed to detect the pressure of noncorrosive gas. Do not use for corrosive gas.
- 4. Do not use the unit in the place where flammable/explosive/corrosive gas, humidity, direct sunlight, radiant heat, vibration, impact, or salinity may be present.
- 5. Keep metal chip, dust, and wire residue from flowing into the unit.

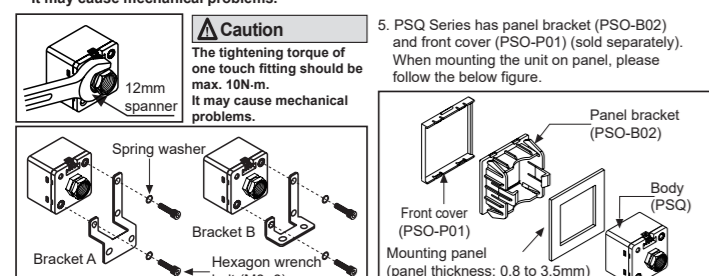
Input/Output Circuit and Connections



Output impedance: 100Ω. Short-circuit the control output terminal or supply current over the rated specification, normal control signal is not output due to the output short over current protection circuit.

Installation

- 1. Since pressure port is divided to standard and optional specification, be cautious when using commercial one touch fitting. (Standard: Rc1/8, Option: R1/8, NPT1/8)
- 2. Use a spanner (12mm) at the metal part of the unit in order not to overload on the body when connecting one touch fitting.
- 3. Two different fixing brackets are provided for PSQ Series. Select proper one according to your application environments.
- 4. At first, please unscrew hexagon wrench bolt and assemble the bracket on this unit by fixing hexagon wrench bolt. In this case, tightening torque of hexagon wrench should be max. 3N·m. It may cause mechanical problems.



- 5. PSQ Series has panel bracket (PSO-B02) and front cover (PSO-P01) (sold separately). When mounting the unit on panel, please follow the below figure.
- 6. Do not pull the cable with a tensile strength of 30N or over.

Error and Troubleshooting

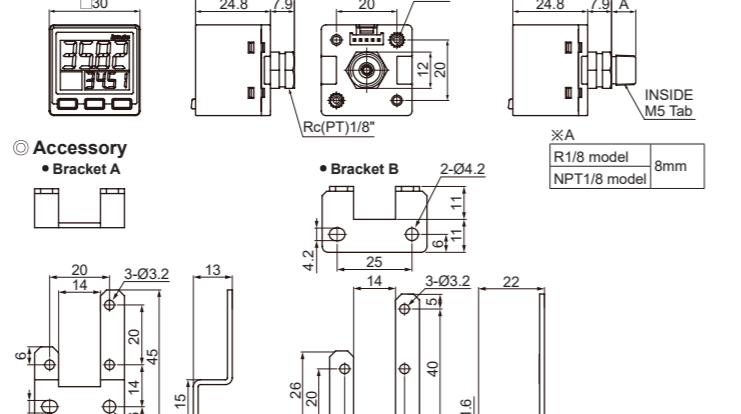
Display	Cause	Troubleshooting
ERR1	When adjusting zero point while external pressure is input.	Try again after removing external pressure.
ERR2	When over-current is applied on control output	Remove the over current conditions by adjusting load resistance.
ERR3	When the range of Auto sensitivity setting mode 5t1, 5t2 is set incorrectly.	Check the setting range and set 5t1, 5t2.
ERR4	When connection between master and slave is wrong during copying parameters.	Check the cables between sensors and the connection of the same models.
ERR5	When entering invalid password.	Enter valid password.
HHHH	When applied pressure exceeds the high-limit of display pressure range.	Apply pressure within the display pressure range.
LLLL	When applied pressure exceeds the low-limit of display pressure range.	Apply pressure within the display pressure range.
-HH-	When the correction value of auto shift, remote zero exceeds the high-limit of the setting range.	Set the correction value of auto shift, remote zero within the setting range.
-LL-	When the correction value of auto shift, remote zero exceeds the low-limit of the setting range.	Set the correction value of auto shift, remote zero within the setting range.
-H-	When [H] or [L] occur both.	Set the correction value of auto shift, remote zero within the setting range.

The above specifications are subject to change and some models may be discontinued without notice. Be sure to follow cautions written in the instruction manual and the technical descriptions (catalog, homepage).

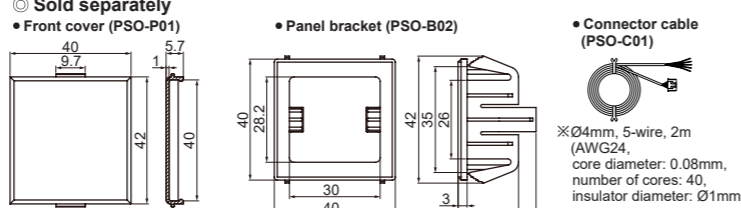
Unit Descriptions

- 1. Present value (PV) display part (green, red, orange by setting/status) RUN mode: Displays PV.
- 2. Setting mode: Displays parameter.
- 3. Setting value (SV) display part (green) RUN mode: Displays setting value, unit, etc.
- 4. Output indicator (OUT1, OUT2) (orange) - Turn ON while the control output turns ON.
- 5. [M] key RUN mode: Press the [M] key for over 2 sec to enter parameter 1 group. Press the [M] key for over 4 sec to enter parameter 2 group. Parameter setting mode: Press the [M] key to select the setting items.
- 6. [H]/[L] key RUN mode: Press the [H]/[L] key to set preset value of output operation mode. Press the [H]/[L] keys to set key lock/unlock. Press the [H]/[L] keys to adjust zero point. Press the [H]/[L] keys to set peak hold.
- 7. [Δ] key Preset value setting mode: Press the [Δ] key to increase/decrease setting value. Setting mode: Changes the parameter.

Dimensions



Accessory



Panel cut-out



Specifications

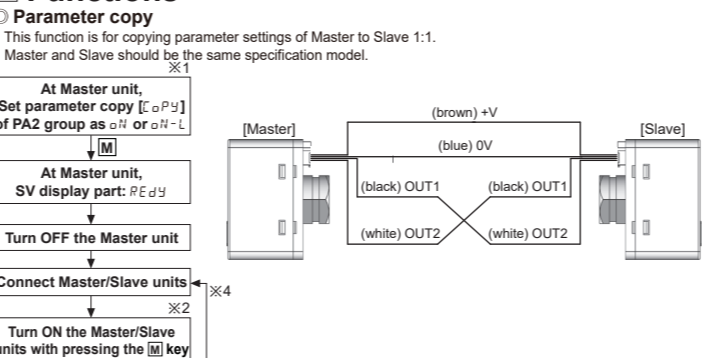
Pressure type	Gauge pressure (compound pressure)
Type	NPN or PNP open collector output
Model	PSQ-C01C-□ PSQ-C1C-□ PSQ-C01CU-□ PSQ-C1CU-□
Rated pressure range	-100.0 to 100.0kPa
Display & Setting pressure range	-101.3 to 110.0kPa
Min. display unit	0.1kPa
Max. pressure range	2 times of rated pressure
Applied fluid	Air, non-corrosive gas
Power supply	12-24VDC (ripple P-P: max. 10%)
Allowable voltage range	90 to 110% of rated voltage
Current consumption	Max. 50mA
Control output	NPN or PNP open collector output
Protection circuit	Output short over current protection circuit

Output	Specifications
Voltage output	• Output voltage: 1-5VDC ±2.5% F.S. • Linear: max. ±1% F.S. • Resolution: 12,000 • Output impedance: approx. 240Ω • Response time: 50ms
Current output	• Output current: DC4-20mA ±2.5% F.S. • Linear: max. ±1% F.S. • Resolution: 1/2,000 • Output impedance: approx. 100kΩ • Response time: 50ms
External input	• ON voltage: Max. 0.4VDC • OFF voltage: 5-Vin or open • Resolution: 1/2,000 • Output impedance: approx. 100kΩ

Display digits	12 segment LCD method
MPa	0.001
kPa	0.1
kgf/cm ²	0.001
bar	0.001
psi	0.02
mmHg	0.1
inHg	0.1
mmH ₂ O	0.1

Front case: polycarbonate, rear case: polybutylene terephthalate + glass 15%, pressure port: stainless steel 303. Weight: Approx. 165g (approx. 80g).

Functions



Parameter copy: This function is for copying parameter settings of Master to Slave 1.1. Master and Slave should be the same specification model.

Analog output scale adjustment: Only for NPN or PNP open collector output+analog output or external input type model. Set output voltage, output current to the current display value at 1-5VDC voltage output [R-V], DC4-20mA [R-I] current output.

Auto Shift/Remote Zero/Hold input: Only for NPN or PNP open collector output+analog output or external input type model. Auto Shift [SHF], Remote Zero [ERZ].

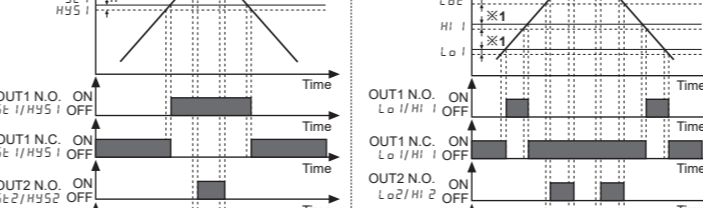
Response time (chattering prevention): It can prevent control output from chattering by changing response time. There are 10 types of response time: 2.5ms, 5ms, 10ms, 25ms, 50ms, 100ms, 250ms, 500ms, 1000ms, 5000ms.

PV display color and color linked output: You can select PV display color to the linked output status. There are 4 types as below: Select color linked output among [OUT1], [OUT2], or [ALL].

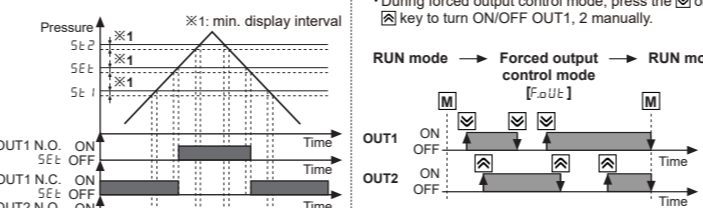
SV display part: Select the display type at the SV display part in RUN mode. There are 3 types: displaying SV [5t-], displaying unit [UNIT], none [OFF].

Output Operation Mode

Hysteresis mode [HYS]: Set the hysteresis of pressure detection. Set the pressure detection level [5t-1, 5t-2] and hysteresis [HYS1, HYS2].

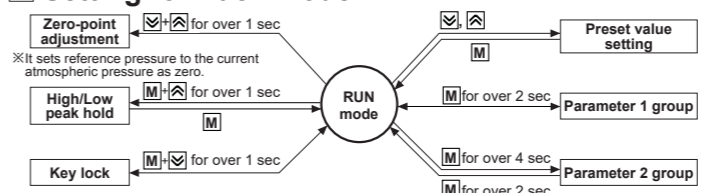


Auto sensitivity setting mode [RUE]: It sets the proper detection sensitivity automatically. It sets by the two pressure points [5t-1, 5t-2].



Forced output control mode [FOU]: Regardless of setting value, it maintains comparison output OFF and displays present pressure.

Setting for Each Mode



Preset Setting

Output mode	Pressure range	Pressure range	Pressure range	Pressure range
OUT1	5t-1	5t-2	5t-1	5t-2
OUT2	5t-1	5t-2	5t-1	5t-2

Setting items and setting value are displayed at the setting value (SV) display part alternately. If there is no additional key input for over 2 sec during setting, the setting value is automatically set and it returns to RUN mode.

OUT1=Hysteresis mode [HYS], OUT2=OFF [OFF]: Set the pressure detection level and hysteresis for each output mode.

OUT1=Hysteresis mode [HYS], OUT2=Window comparison output mode [WIN]: Set the pressure detection level and window comparison range for each output mode.

OUT1=Hysteresis mode [HYS], OUT2=Window comparison output mode [WIN]: Set the pressure detection level and window comparison range for each output mode.

OUT1=Auto sensitivity setting mode [RUE], OUT2=Auto sensitivity setting mode [RUE]: Set the auto sensitivity for each output mode.

OUT1=Forced output control mode [FOU], OUT2=Forced output control mode [FOU]: Set the forced output control for each output mode.

OUT1=NPN or PNP open collector output+analog output or external input type, OUT2=Analog voltage output [R-V] scale setting: Set the scale for each output mode.

OUT1=NPN or PNP open collector output+analog output or external input type, OUT2=Analog current output [R-I] scale setting: Set the scale for each output mode.

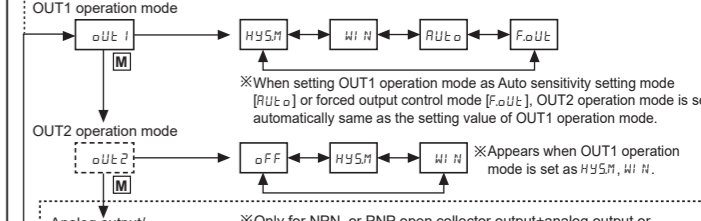
OUT1=Auto shift [SHF], OUT2=Auto shift [SHF]: Set the auto shift correction value for each output mode.

OUT1=Remote zero [ERZ], OUT2=Remote zero [ERZ]: Set the remote zero correction value for each output mode.

Analog output (voltage or current) and external input (auto shift/remote zero/hold) are not available at the same time.

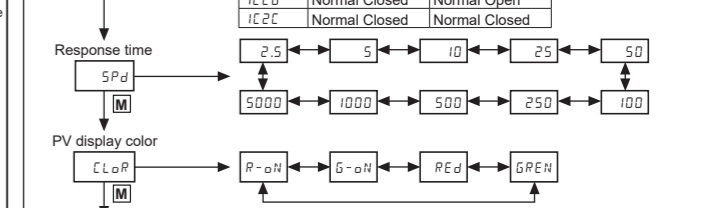
Parameter Setting

After entering parameter 1/2 group, if there is no additional key input for 60 sec, it maintains previous setting value and it returns to RUN mode. Press the [M] key to set the setting value.



OUT1 operation mode: When setting OUT1 operation mode as Auto sensitivity setting mode [RUE] or forced output control mode [FOU], OUT2 operation mode is set automatically same as the setting value of OUT1 operation mode.

Analog output/External input: When setting OUT1 operation mode as Auto sensitivity setting mode [RUE] or forced output control mode [FOU], remote zero [ERZ] functions are not available.



Response time: The response time is the time from the start of the pressure change to the time when the output signal is stable.

Color linked output: When setting OUT2 operation mode as OFF and PV display color is set as R-OH or G-OH.

Parameter 2 group: Set the parameter for the second group of the sensor.

Parameter copy: Copy the parameter settings from the first group to the second group.

Reset: Reset the parameter settings to the factory default values.

Password: Set the password for the parameter setting function.

Control output switching: Set the control output mode for the sensor.

Major Products: List of other Autonics products including sensors, controllers, and actuators.

