

Description

Unleash global connectivity and positioning capabilities of your Portenta or MKR board with the **Arduino® Portenta Cat. M1/NB IoT GNSS Shield**. This shield enables cellular connectivity to both Cat. M1 and NB-IoT networks. Easily track your valuable assets across the city or worldwide with your choice of GPS, GLONASS, Galileo or BeiDou.

Target areas:

Internet of Things, outdoor asset tracking, positioning, cellular connectivity, fleet management

Features

Note: This board requires a compatible MKR or Portenta board to function. Use together with the Arduino Vision Shield® is not supported.

- Cinterion TX62 wireless module
 - Cellular connectivity and positioning support
 - Embedded IPv4 and IPv6 TCP/IP stack access
 - Internet Services
 - TCP server/client
 - UDP client
 - DNS
 - Ping
 - HTTP client
 - FTP client
 - MQTT client Secure Connection with TLS/DTLS Secure boot
- Cellular Connectivity
 - LTE Cat. M1/NB1/NB2
 - 3GPP Rel.14 Compliant Protocol LTE Cat. M1/NB1/NB2
 - (UMTS BANDS: 1 / 2 / 3 / 4 / 5 / 8 / 1217) / 13 / 18 / 19 / 20 / 25 / 26 / 27 / 28 / 66 / 71 / 85
 - LTE Bands
 - LTE Cat.M1 DL: max. 300 kbps, UL: max. 1.1 Mbps
 - LTE Cat.NB1 DL: max. 27 kbps, UL: max. 63 kbps
 - LTE Cat.NB2 DL: max. 124 kbps, UL: max. 158 kbps
 - Short Messaging Service (SMS)
 - Point-to-point mobile terminated (MT) and mobile originated (MO)
 - Text Mode
 - Protocol Data Unit (PDU) Mode
- Positioning Support
 - Multiple GNSS Support
 - GPS
 - GLONASS
 - Galileo
 - BeiDou
- MKR and Portenta Compatible
 - MKR requires headers

Contents

1 The Board	4
1.1 Application Examples	4
1.2 Accessories (Not Included)	4
1.3 Related Products	4
1.4 Assembly Overview	4
2 Ratings	5
2.1 Recommended Operating Conditions	5
2.2 Power Consumption	5
3 Functional Overview	5
3.1 Block Diagram	5
3.2 Board Topology	6
3.3 Cellular Connectivity	7
3.4 Positioning	7
3.5 Power Tree	7
4 Board Operation	8
4.1 Sample Sketches	8
4.2 Online Resources	8
5 Mechanical Information	8
6 Connector Pinouts	9
7 Certifications	10
7.1 Declaration of Conformity CE DoC (EU)	10
7.2 Conflict Minerals Declaration	11
8 FCC Caution	11
9 Company Information	12
10 Reference Documentation	12
11 Revision History	12

1 The Board

1.1 Application Examples

Enter the world of global asset tracking with the **Arduino® Portenta Cat. M1/NB IoT GNSS Shield**. This shield can connect to your Portenta/MKR board enabling a wide range of applications.

- **Global Asset tracking** The **Arduino® Portenta Cat. M1/NB IoT GNSS Shield** provides connectivity to four major satellite positioning networks allowing you to track your inventory reliably. The multi-band cellular connectivity ensures that you can get live updates on your inventory nearly anywhere in the world.
- **Remote node monitoring** The **Arduino® Portenta Cat. M1/NB IoT GNSS Shield** can relay geo-tagged data from local sensors located worldwide to provide real time insight for increasing revenue of your business.
- **Fleet management** Manage your MaaS (Mobility as a Service) solution across the city or between borders. Track, analyse and dynamically manage your fleet to optimise fuel usage, increase your client's satisfaction and reduce transport times. Enable predictive maintenance and remote diagnostics to ensure your business runs smoothly with minimal downtime.

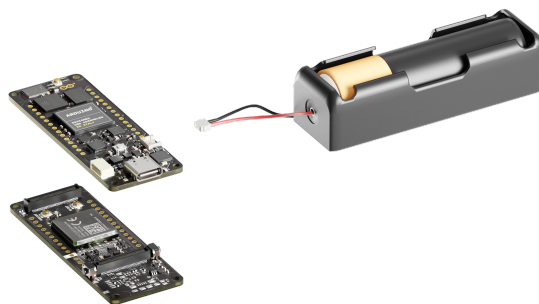
1.2 Accessories (Not Included)

- Active GNSS Antenna

1.3 Related Products

- Arduino® Portenta H7 (SKU: ABX00042)

1.4 Assembly Overview



Preview assembly

Example of a typical assembly including an Arduino® Portenta H7 and Arduino® Portenta Cat. M1/NB IoT GNSS Shield.

2 Ratings

2.1 Recommended Operating Conditions

Symbol	Description	Min	Typ	Max	Unit
V _{CC}	Input Voltage from Portenta	3.2	3.3	3.4	V
V _{GNSS}	Active GNSS Antenna Bias Voltage	2.9	3	3.1	V
T _{OP}	Operating Temperature ²	-40	25	85	°C

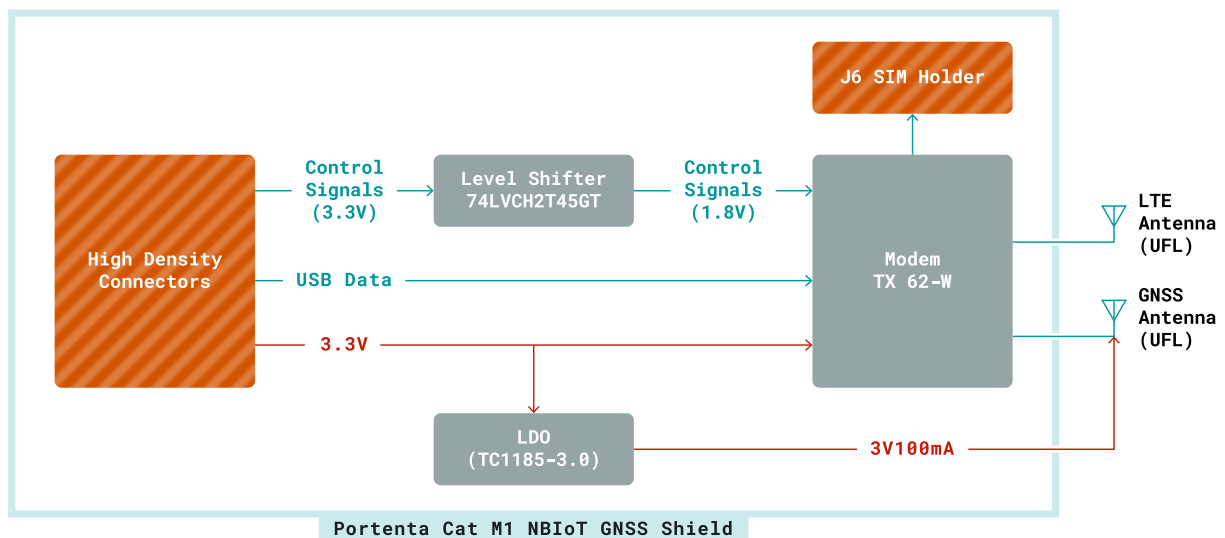
(1): See Portenta datasheet (2): Temperatures under -30°C may cause instability in the TX62 operation.

2.2 Power Consumption

Symbol	Description	Min	Typ	Max	Unit
P _{STDBY}	Power consumption in standby		TBC		mW
P _{GPS}	Power consumption for GPS geo-location at 1 Hz		TBC		mW
P _{CLOUD}	Power consumption for sending data to Arduino Cloud at 1 Hz		TBC		mW
P _{GPSCLOUD_LP}	Power consumption for GPS geo-location and sending data to Arduino Cloud once per hour		TBC		mW

3 Functional Overview

3.1 Block Diagram

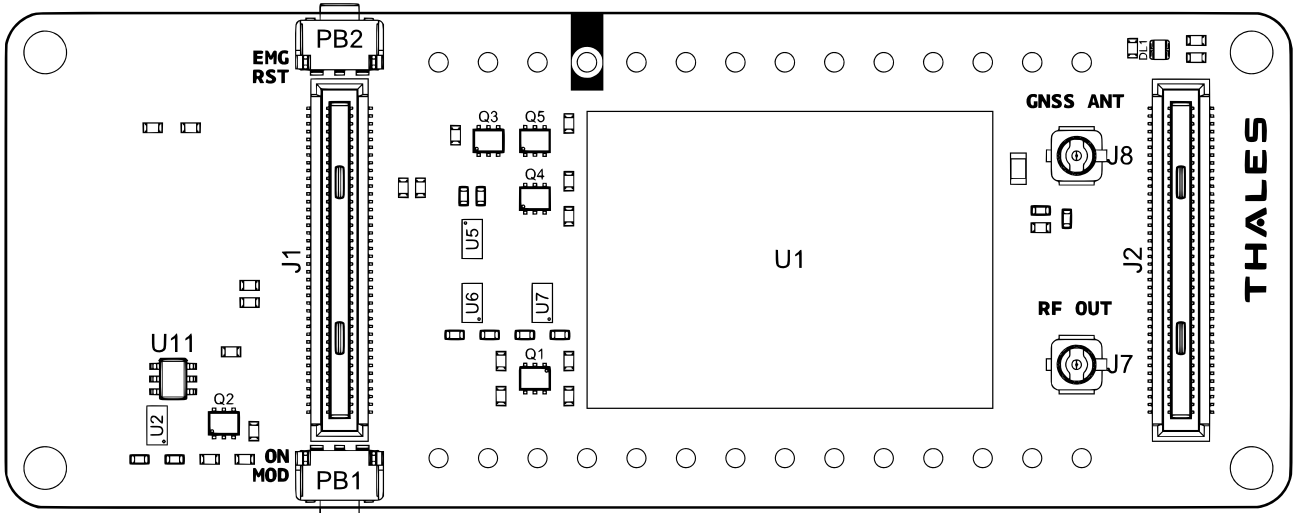


- Power
- Microcontroller
- LED
- Data Communication
- Internal Parts
- Connectors

Portenta Cat. M1/NB IoT GNSS Shield Block Diagram

3.2 Board Topology

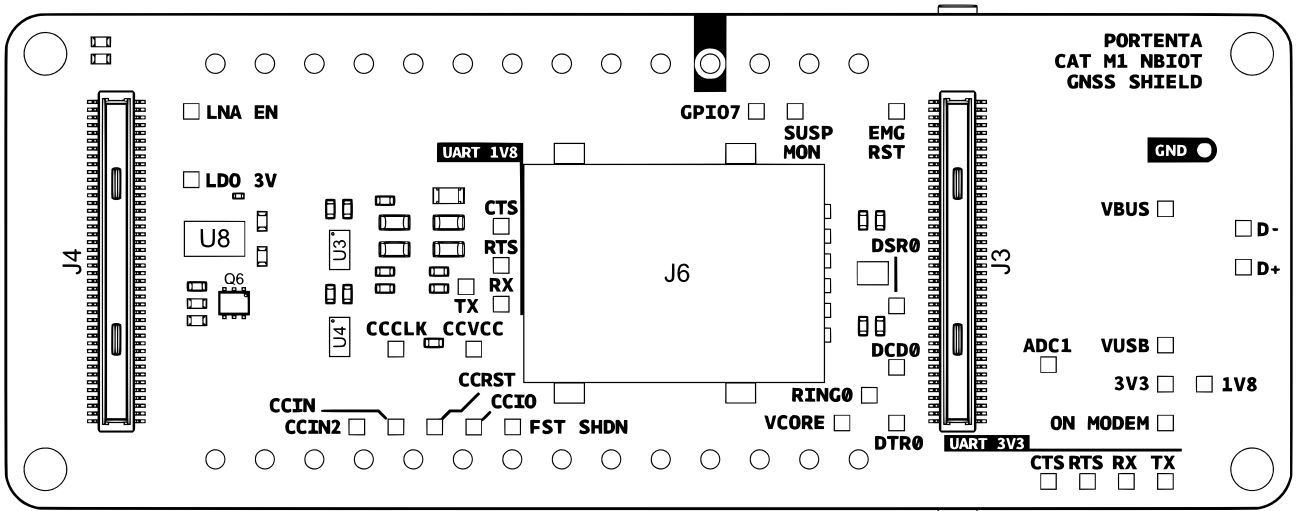
Top View



Portenta Cat. M1/NB IoT GNSS Shield Top View

Ref.	Description	Ref.	Description
DL1	SMLP34RGB2W3 RGB LED	J1,J2	Female High Density Connector
J7	U.FL-R-SMT-1(60) micro UFL Cellular Antenna Connector	J8	U.FL-R-SMT-1(60) micro UFL GNSS Antenna Connector
PB1	TL3340AF160QG Mode Select button	PB2	TL3340AF160QG Reset button
U1	TX62-W Cellular-GNSS Module	U2,U5,U7	74LVCH2T45GT Level Translator

Back View



Portenta Cat. M1/NB IoT GNSS Shield Back View

Ref.	Description	Ref.	Description
J3, J4	Male High Density Connectors	J6	SIM8060-6-0-14-00-A Hinged Nano SIM card module

Ref.	Description	Ref.	Description
U3,U4,U6	74LVCH2T45GT Level Translator	U8	TC1185-3.0VCT713 3V 150mA LDO IC

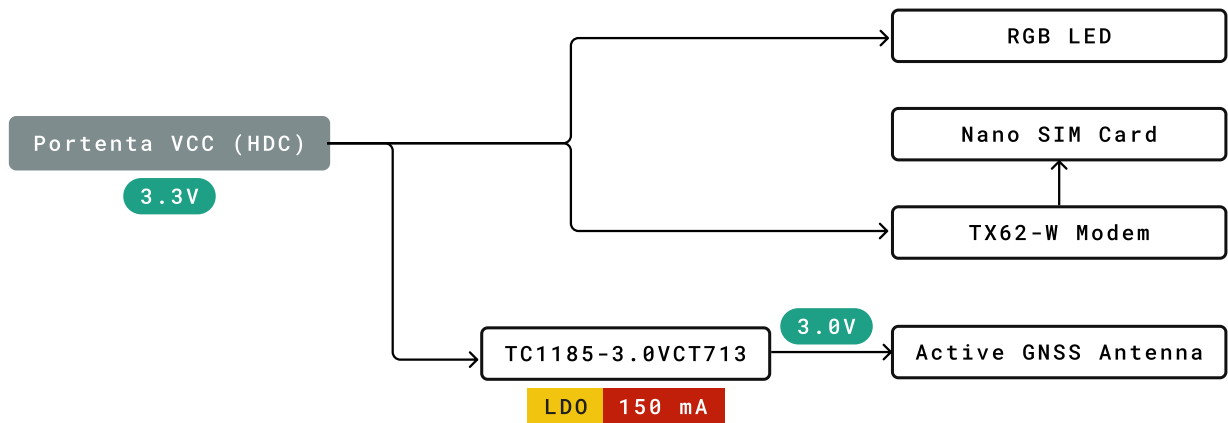
3.3 Cellular Connectivity

The **Arduino® Portenta Cat. M1/NB IoT GNSS Shield** provide access to various cellular networks via the TX62-W Module (U1). It is possible to connect an external cellular antenna via a micro UFL connector (J7). Both SMS and data transfer functionality is provided. SMS messages can be stored in the SIM card module. The modem is addressable via AT commands. Modem status is provided by the RGB LED (DL1). ****Note: **** The Portenta Cat. M1/NB IoT GNSS Shield requires a physical nano SIM for cellular connectivity. eSIM is not supported at this time.

3.4 Positioning

Four major GNSS systems are supported by the **Arduino® Portenta Cat. M1/NB IoT GNSS Shield**. NMEA protocol is used for transmission of GNSS information. An active antenna can be connected via the micro UFL connector (J8) and has a bias voltage of 3.0V. **Note:** GNSS and cellular services cannot be used simultaneously.

3.5 Power Tree



Legend:

- Component
- Power I/O
- Conversion Type
- Max Current
- Voltage Range

Portenta Cat. M1/NB IoT GNSS Shield Power Tree

Power to the **Arduino® Portenta Cat. M1/NB IoT GNSS Shield** is provided by the host Portenta board via the high density connector. A 3.0V voltage is provided via TC1185-3.0VCT713 (U8) for the active GNSS antenna.

4 Board Operation

Note: The **Arduino® Portenta Cat. M1/NB IoT GNSS Shield** requires a Portenta/MKR host board to operate.

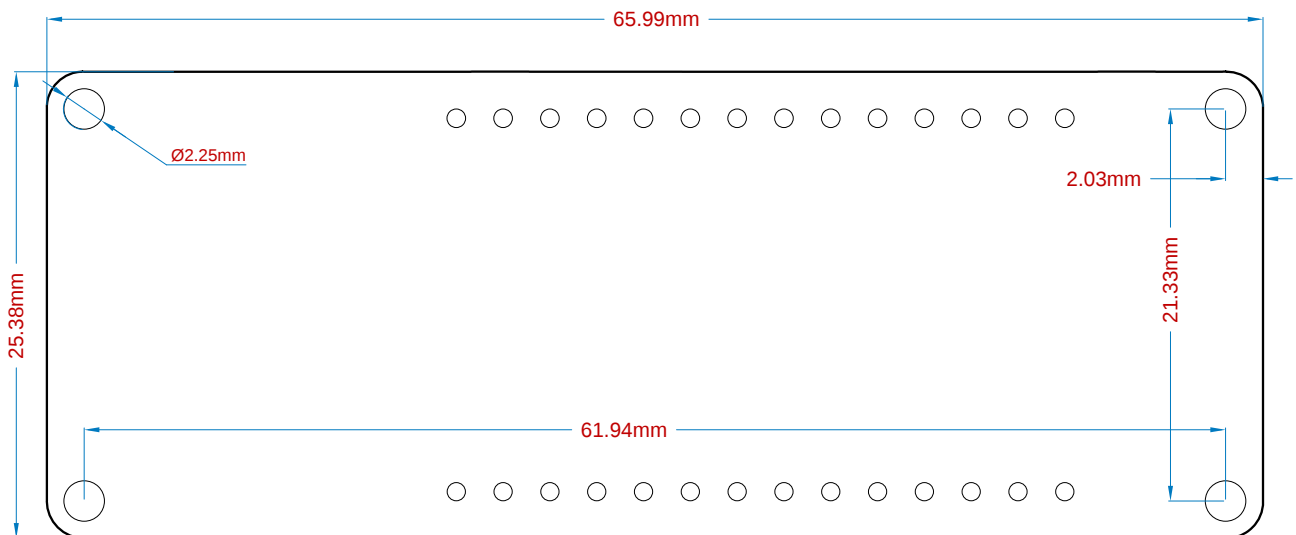
4.1 Sample Sketches

Sample sketches for the **Arduino® Portenta Cat. M1/NB IoT GNSS Shield** can be found either in the “Examples” menu in the Arduino® IDE or in the “Documentation” section of the Arduino® Pro website [4]

4.2 Online Resources

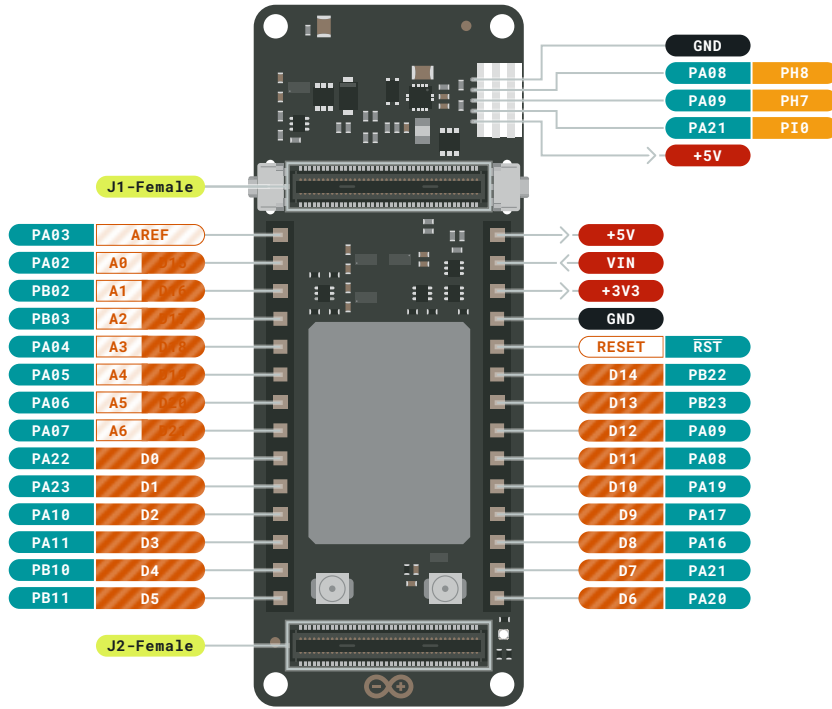
Now that you have gone through the basics of what you can do with the board you can explore the endless possibilities it provides by checking exciting projects on ProjectHub [5], the Arduino® Library Reference [6] and the online store [7] where you will be able to complement your board with sensors, actuators and more.

5 Mechanical Information



Portenta Cat. M1/NB IoT GNSS Shield Mechanical Dimensions

6 Connector Pinouts



Portenta Cat. M1/NB IoT GNSS Shield Pinouts

7 Certifications

7.1 Declaration of Conformity CE DoC (EU)

We declare under our sole responsibility that the products above are in conformity with the essential requirements of the following EU Directives and therefore qualify for free movement within markets comprising the European Union (EU) and European Economic Area (EEA). Radio Equipment Directive (RED) 2014/53/EU

We declare under our sole responsibility that the products above are in conformity with the essential requirements of the following EU Directives and therefore qualify for free movement within markets comprising the European Union (EU) and European Economic Area (EEA). Radio Equipment Directive (RED) 2014/53/EU

Substance	Maximum Limit (ppm)
Lead (Pb)	1000
Cadmium (Cd)	100
Mercury (Hg)	1000
Hexavalent Chromium (Cr6+)	1000
Poly Brominated Biphenyls (PBB)	1000
Poly Brominated Diphenyl ethers (PBDE)	1000
Bis(2-Ethylhexyl} phthalate (DEHP)	1000
Benzyl butyl phthalate (BBP)	1000
Dibutyl phthalate (DBP)	1000
Diisobutyl phthalate (DIBP)	1000

Exemptions : No exemptions are claimed.

Arduino Boards are fully compliant with the related requirements of European Union Regulation (EC) 1907 /2006 concerning the Registration, Evaluation, Authorization and Restriction of Chemicals (REACH). We declare none of the SVHCs (<https://echa.europa.eu/web/guest/candidate-list-table>), the Candidate List of Substances of Very High Concern for authorization currently released by ECHA, is present in all products (and also package) in quantities totaling in a concentration equal or above 0.1%. To the best of our knowledge, we also declare that our products do not contain any of the substances listed on the "Authorization List" (Annex XIV of the REACH regulations) and Substances of Very High Concern (SVHC) in any significant amounts as specified by the Annex XVII of Candidate list published by ECHA (European Chemical Agency) 1907 /2006/EC.

7.2 Conflict Minerals Declaration

As a global supplier of electronic and electrical components, Arduino is aware of our obligations with regards to laws and regulations regarding Conflict Minerals, specifically the Dodd-Frank Wall Street Reform and Consumer Protection Act, Section 1502. Arduino does not directly source or process conflict minerals such as Tin, Tantalum, Tungsten, or Gold. Conflict minerals are contained in our products in the form of solder, or as a component in metal alloys. As part of our reasonable due diligence Arduino has contacted component suppliers within our supply chain to verify their continued compliance with the regulations. Based on the information received thus far we declare that our products contain Conflict Minerals sourced from conflict-free areas.

8 FCC Caution

Any Changes or modifications not expressly approved by the party responsible for compliance could void the user's authority to operate the equipment.

This device complies with part 15 of the FCC Rules. Operation is subject to the following two conditions:

- (1) This device may not cause harmful interference
- (2) this device must accept any interference received, including interference that may cause undesired operation.

FCC RF Radiation Exposure Statement:

1. This Transmitter must not be co-located or operating in conjunction with any other antenna or transmitter.
2. This equipment complies with RF radiation exposure limits set forth for an uncontrolled environment.
3. This equipment should be installed and operated with minimum distance 20cm between the radiator & your body.

English: User manuals for license-exempt radio apparatus shall contain the following or equivalent notice in a conspicuous location in the user manual or alternatively on the device or both. This device complies with Industry Canada license-exempt RSS standard(s). Operation is subject to the following two conditions:

- (1) this device may not cause interference
- (2) this device must accept any interference, including interference that may cause undesired operation of the device.

French: Le présent appareil est conforme aux CNR d'Industrie Canada applicables aux appareils radio exempts de licence. L'exploitation est autorisée aux deux conditions suivantes:

- (1) l'appareil nedit pas produire de brouillage
- (2) l'utilisateur de l'appareil doit accepter tout brouillage radioélectrique subi, même si le brouillage est susceptible d'en compromettre le fonctionnement.

IC SAR Warning:

English This equipment should be installed and operated with minimum distance 20 cm between the radiator and your body.

French: Lors de l' installation et de l' exploitation de ce dispositif, la distance entre le radiateur et le corps est d'au moins 20 cm.

Important: The operating temperature of the EUT can't exceed 85°C and shouldn't be lower than -40°C.

Hereby, Arduino S.r.l. declares that this product is in compliance with essential requirements and other relevant provisions of Directive 201453/EU. This product is allowed to be used in all EU member states.

Frequency bands	Typical Output Power
600-2100 MHz	+20 dBm ± 2 dB

9 Company Information

Company name	Arduino S.r.l
Company Address	Via Andrea Appiani, 25 20900 MONZA (Italy)

10 Reference Documentation

Ref	Link
Arduino® IDE (Desktop)	https://www.arduino.cc/en/Main/Software
Arduino® IDE (Cloud)	https://create.arduino.cc/editor
Arduino® Cloud IDE Getting Started	https://create.arduino.cc/projecthub/Arduino_Genuino/getting-started-with-arduino-web-editor-4b3e4a
Arduino® Pro Website	https://www.arduino.cc/pro
Project Hub	https://create.arduino.cc/projecthub?by=part&part_id=11332&sort=trending
Library Reference	https://github.com/bcmi-labs/Arduino_EdgeControl/tree/4dad0d95e93327841046c1ef80bd8b882614eac8
Online Store	https://store.arduino.cc/

11 Revision History

Date	Revision	Changes
07-06-2021	01	Initial Version