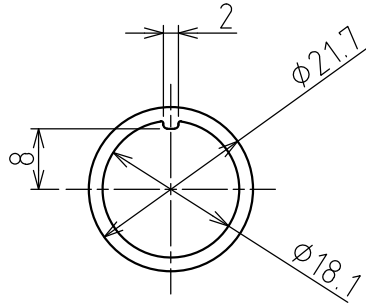


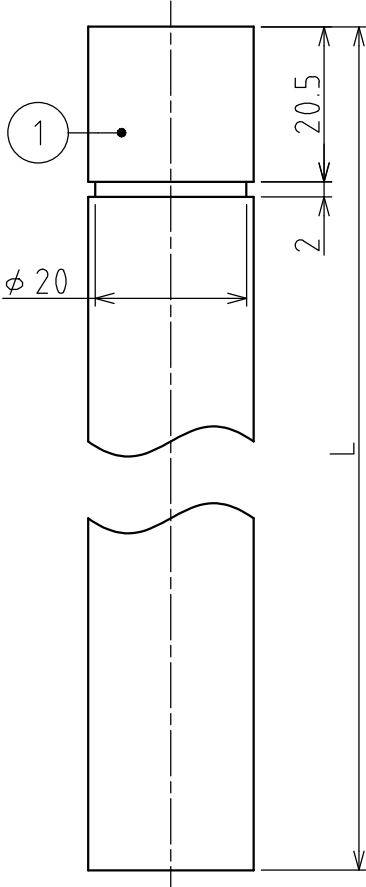
|                           |                                |     |                                     |     |     |     |     |                |     |     |          |         |          |
|---------------------------|--------------------------------|-----|-------------------------------------|-----|-----|-----|-----|----------------|-----|-----|----------|---------|----------|
| 指定公差<br>General tolerance | 角度公差<br>Angular tolerance ±[°] |     | 寸法公差<br>Dimensional tolerance ±[mm] |     |     |     |     | 図番 Drawing No. |     |     | ページ Page |         |          |
|                           | 短辺長さ<br>Length of short side   |     |                                     |     |     |     |     | POLE-O109-W18  |     |     | 1 / 1    |         |          |
|                           | 精 f                            | 1   | 0.5                                 | 0.3 | 0.1 | 中 m | 0.1 | 0.3            | 0.5 | 0.7 | 1        | 改訂 Rev. | 年月日 Date |
| 粗 v                       | 3                              | 1.5 | 1                                   | 0.5 | 粗 c | 0.3 | 0.5 | 1              | 1.2 | 2   | △        |         |          |



[MODEL No. Configuration]

POLE-□ A21+00109

Pole Length Custom Order No.  
 100:100mm  
 300:300mm  
 800:800mm



[Specification]

|                   |                   |                   |                   |
|-------------------|-------------------|-------------------|-------------------|
| Model             | POLE-100A21+00109 | POLE-300A21+00109 | POLE-800A21+00109 |
| L dimension       | 100mm             | 300mm             | 800mm             |
| Mass(±10%)        | 29g               | 86g               | 228g              |
| Mounting Location | Indoor            |                   |                   |

\* These are no contents of controlled substances exceeding the threshold for the RoHS Directive.

|                   |                  |                                   |               |
|-------------------|------------------|-----------------------------------|---------------|
| 1                 | Pole             | 1                                 | AL(Silver)    |
| 番号<br>No.         | 部品名<br>Part Name | 数量<br>Qty.                        | 記事<br>Remarks |
| 機種<br>Model       | POLE-□ A21       | 特注No.<br>S.P.No.                  | 00109         |
| 図名<br>Name        | Specification    |                                   |               |
| 品目コード<br>Part No. | -                | 尺度 Scale                          | -             |
|                   |                  | 三角法<br>3rd Angle P.               | 単位 Unit<br>mm |
|                   |                  | 株式会社 パトライト<br>PATLITE Corporation |               |