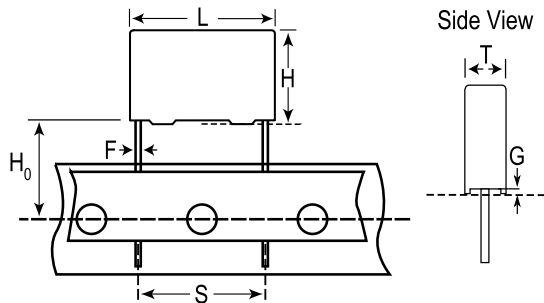


KEMET Part Number: PHE448SB3680JR17T0
(F448BD681J2K0L)

PHE448/F448, Film, Film/Foil Polypropylene, General Purpose, 680 pF, 5%, 2000 VDC, 85°C, Lead Spacing = 15mm



General Information	
Series:	PHE448/F448
Dielectric:	Film/Foil Polypropylene
Style:	Radial
Features:	Pulse
RoHS:	Yes
Lead:	Wire Leads
AEC-Q200:	No
Miscellaneous:	Rthha= 85 C/W (85C), 0.2 m/s
Notes:	Not For New Design, Please Check Possible Alternative Parts (AltPart)

Dimensions	
L	18mm MAX
H	10.5mm MAX
T	5.5mm MAX
S	15mm +0.6/-0.1mm
H0	18.5mm +/-0.5mm
F	0.8mm +/-0.05mm
G	0.5mm NOM

Specifications	
Capacitance:	680 pF
Capacitance Tolerance:	5%
Voltage AC:	700 VAC
Voltage DC:	2000 VDC, 1480 VDC (105C)
Temperature Range:	-55/+105°C
Rated Temperature:	85°C
Dissipation Factor:	0.03% 1kHz, 0.05% 10kHz, 0.10% 100kHz
Insulation Resistance:	44.1176 GOhms
Max dV/dt:	25000 V/us
Inductance:	6 nH

Packaging Specifications	
Packaging:	T&R
Packaging Quantity:	600

Statements of suitability for certain applications are based on our knowledge of typical operating conditions for such applications, but are not intended to constitute - and we specifically disclaim - any warranty concerning suitability for a specific customer application or use. This Information is intended for use only by customers who have the requisite experience and capability to determine the correct products for their application. Any technical advice inferred from this Information or otherwise provided by us with reference to the use of our products is given gratis, and we assume no obligation or liability for the advice given or results obtained.