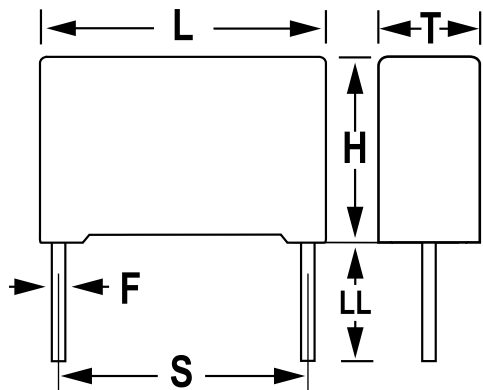


**KEMET Part Number: PHE426MK5270JR05**  
 (F426KM273J630C, PHE426MK5270JK04R05)

PHE426/F426, Film, Metallized Polypropylene, General Purpose, 0.027 uF, 5%, 630 VDC, 85°C, Lead Spacing = 7.5mm



General Information	
Series:	PHE426/F426
Dielectric:	Metallized Polypropylene
Style:	Radial
Features:	Pulse
RoHS:	Yes
Lead:	Wire Leads
AEC-Q200:	No
Notes:	Not For New Design, Please Check Possible Alternative Parts (AltPart).

Dimensions	
L	10.5mm MAX
H	12mm MAX
T	6mm MAX
S	7.5mm +/-0.4mm
LL	5mm NOM
F	0.6mm NOM

Specifications	
Capacitance:	0.027 uF
Capacitance Tolerance:	5%
Voltage AC:	250 VAC
Voltage DC:	630 VDC, 466 VDC (105C)
Temperature Range:	-55/+105°C
Rated Temperature:	85°C
Dissipation Factor:	0.05% 1kHz, 0.25% 100kHz
Insulation Resistance:	100 GOhms
Max dV/dt:	200 V/us
Inductance:	6 nH

Packaging Specifications	
Packaging:	Bulk, Bag
Packaging Quantity:	1000