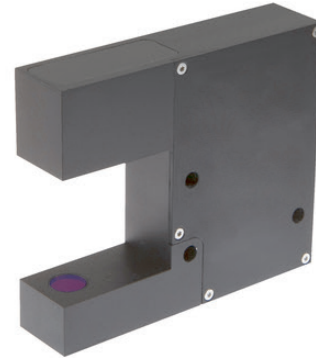


PG400140

LASER SENSORS • FORKED LIGHT BARRIER

sensor laser, fork, 85x24x100mm, fork width 40mm, 15-30V DC, 2x Push-pull NC/NO, 0-10 V, Plug-in connection 8pin, Glass, Red light



MECHANICAL FEATURES

Design	Cuboid
Diameter detection	+
Fork depth	40 mm
Fork light barrier design	Furcate
Fork width	40 mm
Installation bracket	-
Material of optical surface	Glass
Sensor height	85 mm
Sensor length	24 mm
Sensor width	100 mm

ELECTRICAL FEATURES

Analog output 0 V ... 10 V	+
Analog output 4 mA ... 20 mA	-
Connection to amplifier	-
Dynamic switching output	-
Equipment protection class	Protection class 3
Measurement of light beam coverage	+
Number of pins	8
Number of pins of the communication interface	4
Number of switching outputs	2
Operating voltage	15 V ... 30 V
Scanning function	Light-/dark-on mode
Type of analog output	0-10 V
Type of communication interface	Connector M5
Type of electrical connection	Plug-in connection
Type of plug-in contact, communication interface	Female (socket)
Type of switching function	Normally closed contact/normally open contact
Type of switching output	Push-pull
Type of the forked light barrier	Standard
Voltage type	DC
With communication interface, analog	-
With communication interface, RS-232	+

ELECTRICAL FEATURES

With other analog output	-
With time function	-

OPTICAL FEATURES

Min. object size	0.04 mm
Resolution	4 µm
Laser class	Class 1
Line field width	6
Line field length	1

OTHER FEATURES

Edge control	+
Feeding technology	+

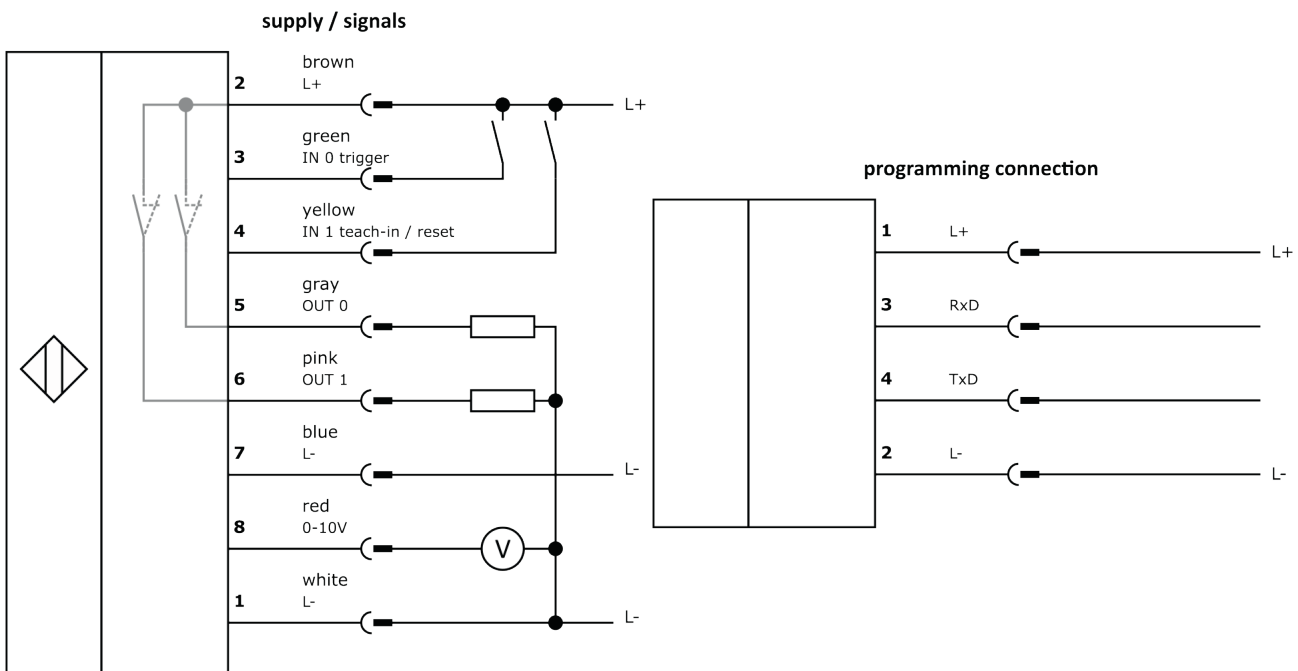
Other

Packaging dimensions	138.0mm x 95.0mm x 210mm
Shipping weight	0.37kg
Tariff code	85365019

Classification

ipf product group	165
eClass 8.0	27270909
eClass 9.0	27270909
eClass 9.1	27270909
ETIM-5.0	EC002720
ETIM-6.0	EC002720
ETIM-7.0	EC002720

Connection



Dimensional drawing

Installation



Mounting / installation may only be carried out by a qualified electrician!

Disposal



Software

Any software, drivers or IOOD files that may be required to operate your device can be downloaded free of charge from our homepage: www.ipf-electronic.com

Safety warnings

Before initial operation, please make sure to follow all safety instructions that may be provided in the product information. Never use these devices in applications where the safety of a person depends on their functionality. LED lighting systems can generate intensive UV radiation, which can damage your eyes in case of improper use. The manufacturer cannot be held responsible for damages that result from improper use or connection.