

# SPECIFICATIONS

## [General Specifications]

Model	PFH-BT-R	PFH-BT-Y
Color	Red	Amber
Rated Voltage	6VDC (4 - LR6 Alkaline dry cell batteries)	
Operating Ambient Temperature	- 10 °C to + 50°C (Battery is removed)	
Operating Ambient Humidity	Less than 90 %RH No condensation (Battery is removed)	
Storage Ambient Temperature	- 30 °C to + 60 °C (Battery is removed)	
Storage Ambient Humidity	Less than 90%RH No condensation (Battery is removed)	
Mounting Location	Indoors and Outdoors	
Mounting Direction	Upright ,Sideways (Power Switch is downward)	
Protection Rating	IP 55 (IEC 60529)	
Environmental Condition	Upright	
Flashing Mode	Power Mode / Eco Mode	
Flashing Pattern	Double-flash / Single-flash	
Peak luminous Intensity(Typ.)	40cd (Power Mode)	140cd (Power Mode)
Mass (Tolerance ±10%)	0.51 kg (Not including battery)	
Battery Lifespan	Power Mode:24hrs. *1 *2 Eco Mode:100hrs. *1 *2	
Outer Dimensions	Refer to the Outer Dimension Drawing	
Conformity Standards	RoHS Directive (EN IEC 63000) EMC Directive (EN 61000-6-4, EN 61000-6-2)	
Remarks	<p>*1 Battery lifespan changes drastically, based on the operating environment conditions. *2 The data is based on ambient temperature of 25 °C, alkaline dry cell , and flash pattern set at double flash.</p> <p>CE Marking</p>	

1

2

3

4 ▽

5

6

7

8

指定公差 General Tolerance	角度公差 ±[°] Angular tolerance ±[°]			寸法公差 ±[mm] Dimensional tolerance ±[mm]					図番 Drawing No. PFH-BT-W18			ページ Page 2 / 2	
	短辺長さ Length of short side	~	~100	6	30	120	300	1000	改訂 Rev.	年月日 Date	改訂履歴 Revisions		
	精 f	1	0.5	0.3	0.1	中 m	0.1	0.3				0.5	0.7
	粗 v	3	1.5	1	0.5	粗 c	0.3	0.5	1	1.2	2		

A

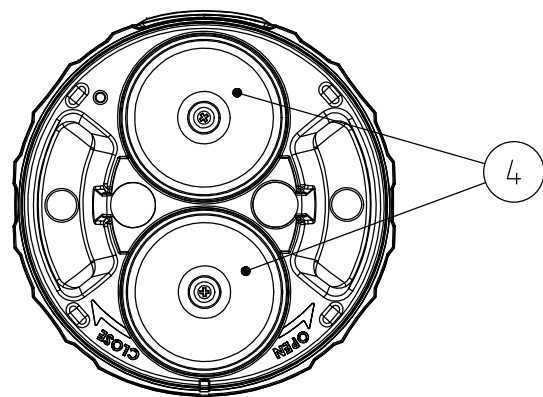
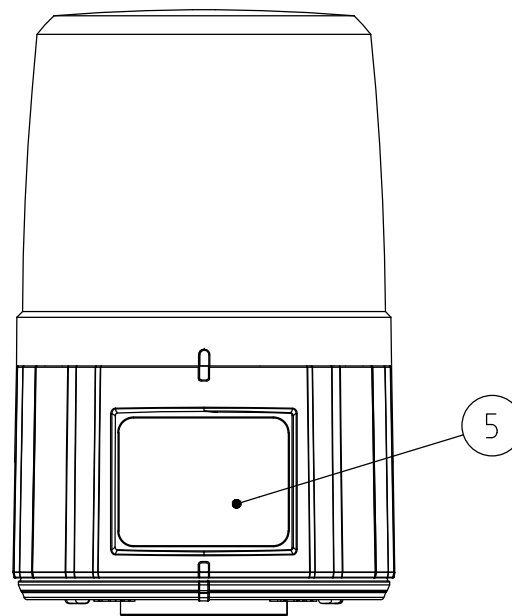
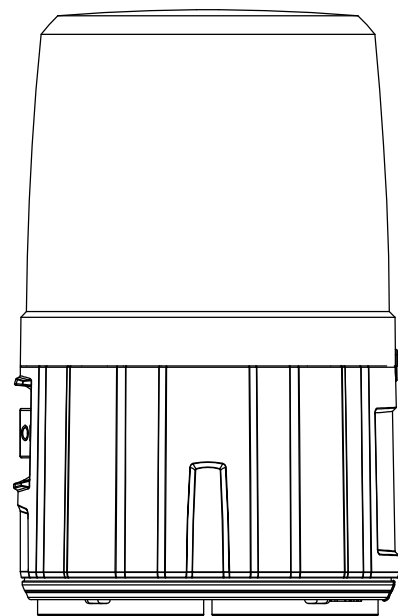
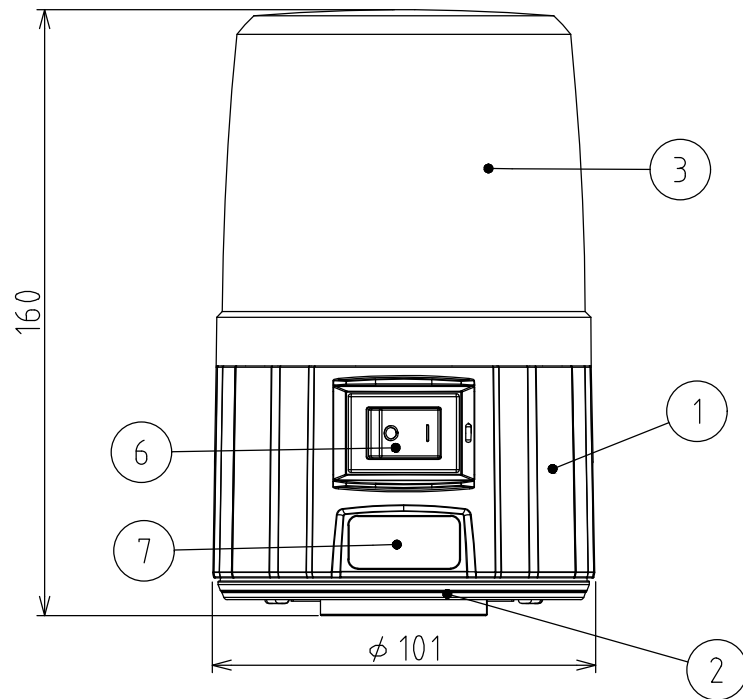
B

C

D

E

F



7	Caution Label	1	
6	Power Switch	1	
5	Name Plate	1	
4	Magnet	2	
3	Globe	1	PC (Red/Amber)
2	Base	1	PC (Off-dark gray)
1	Body	1	PC (Off-dark gray)
番号 No.	部品名 Part Name	数量 Qty.	記事 Remarks
機種 Model	PFH-BT	特注No. S.P.No.	-
		図名 Name	Outer Dimensions Drawing
品目コード Part No.	-	尺度 Scale	1:2
		三角法 3rd Angle P.	単位 Unit mm
		株式会社 PATLITE Corporation	

A

B

C

D

E

F

1

2

3

4 △

5

6

7

8

Ver.2.2 A3