



## 38mm LED Pixel Light-9leds



- New type 38mm led pixel developed based on our 35mm.
- Some customer post feedback that they have to drill a 35mm hole on the panel for installation, the big hole spent lots of time and waste material. So we changed the base (holder) to 19mm size. But the ic chip, leds are the same as old one which you can combine it. Or you can replace the old one by new version.

## Product Description



- Clear PC body waterproof IP67.
- Each pixel attached a pair JST SM Connector IP20.
- Cable length can be customizable.
- Control by SD controller or DMX device.



## Product Datasheet

Product	Number	P389V24
Light	Source	Epistar 5050 SMD LEDs
Beam	Angle	140°
LED	Quantity	9 leds/pcs
Diameter	(mm)	Ø38
Light Body	Size	H36*W45mm
Emitting	Color	IC RGB
Operating	Voltage	DC24V
Power	(W)	2.5W/pcs
Control	(IC)	UCS1904
Waterproof	Rating	IP20/IP67
MCD per	PCS	R6300 G14400 B4600
Operation	Temperature	-40℃—60℃

## Application

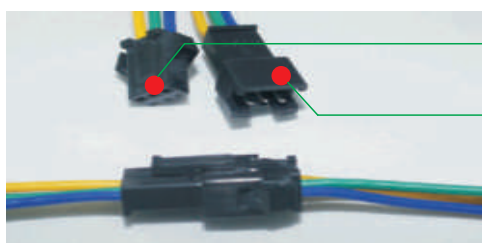


Amusement attractions, rides.

carousels, luminous signs, Luna Park signs.

Dance Floor, Christmas Tree lighting etc.

Casino lighting, Outdoor sign board.



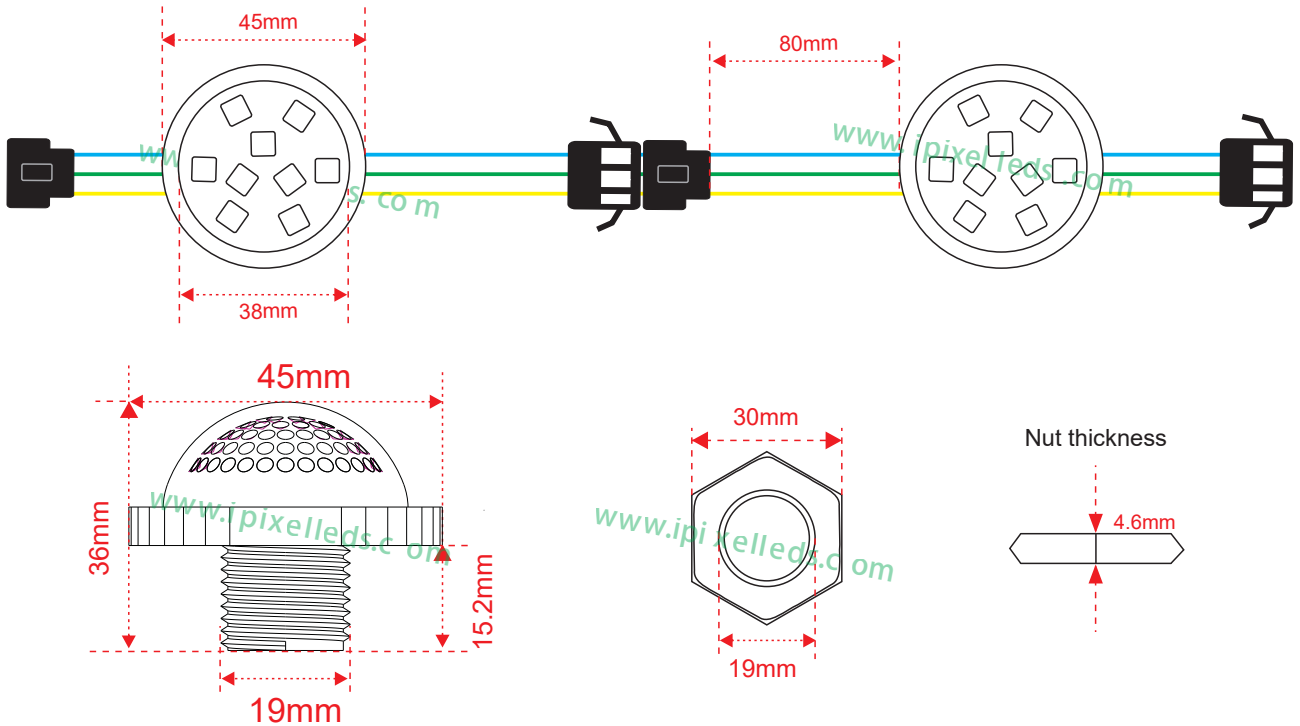
3Pin JSM connector signal input

3Pin JSM connector signal output

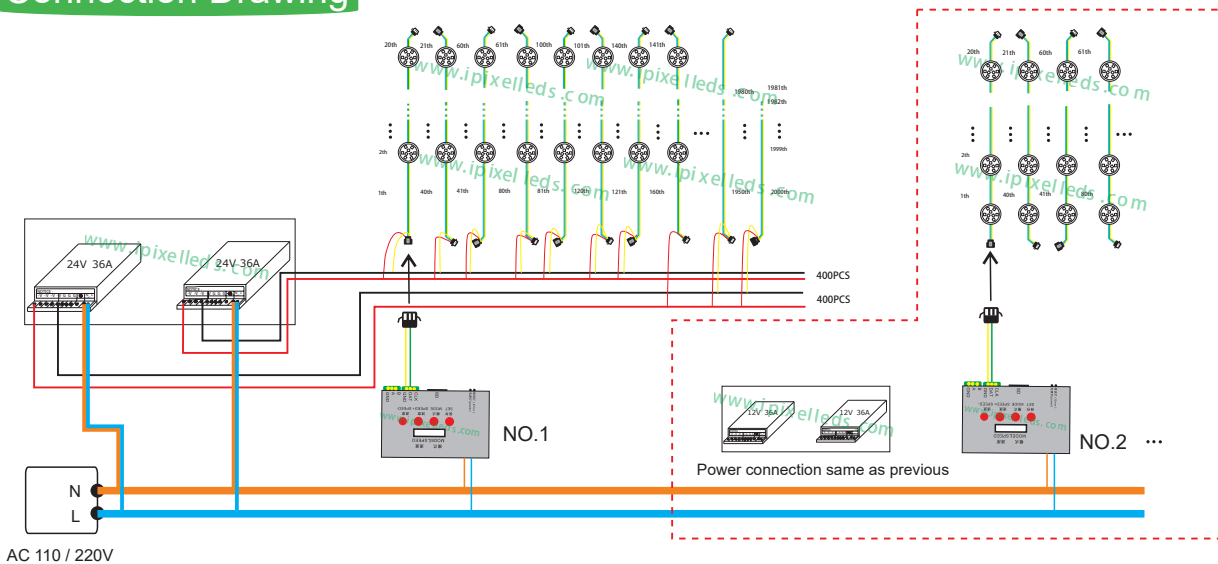
— DC12V+  
— DAT  
— GND



## Outline Dimension



## Connection Drawing



Several controller can work in one project when the LED more than 2000pcs, but the controllers we also have T4000、T8000 SD controller for more LED pixels must switch on off by AC at the same time.