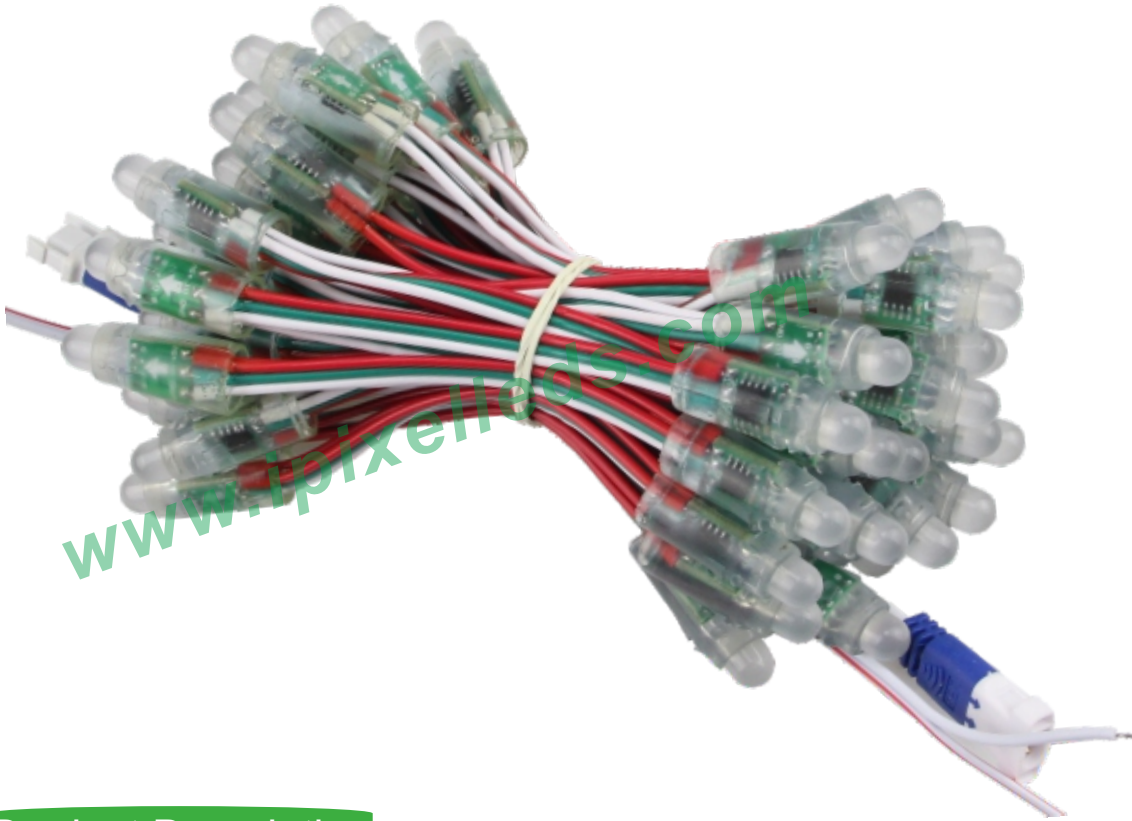




## 12mm Diffused Thin Digital RGB LED Pixel (Strand of 50)



### Product Description

- Control IC included, supporting numerous Color-change effects.
- Pcontrol by SD controller,Arduino,DMX512, Artnet.
- Software : LEDedit, Madrix,etc DC 5V low voltage input.



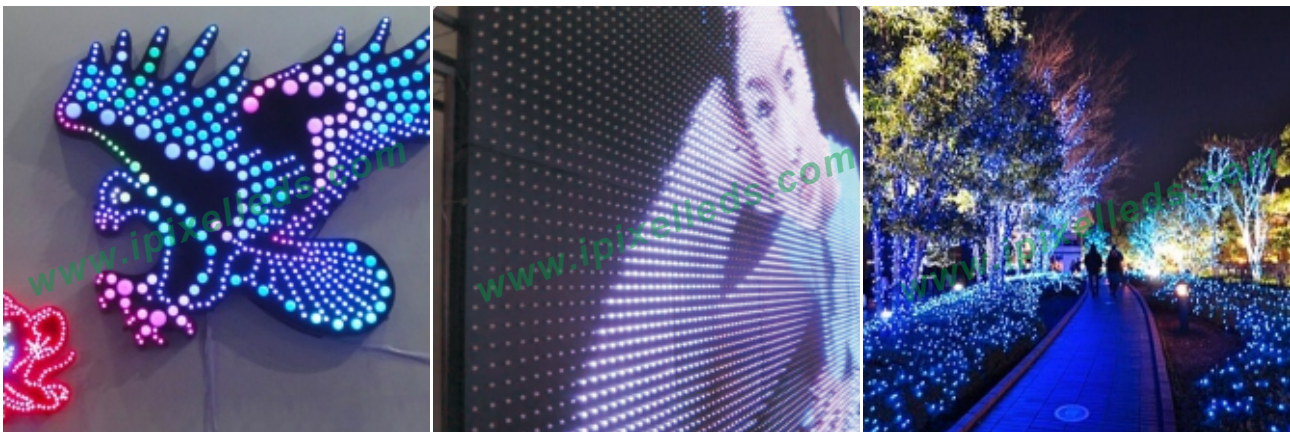
- Every 1 Leds linear separable, custom-length available;
- Eco-green light, no UV, IR;
- Extremely long lifespan & lower power consumption;



## Product Datasheet

|            |               |                            |
|------------|---------------|----------------------------|
| Product    | Number        | P012001NA3SA               |
| Light      | Source        | Epistar F8mm Dip LED       |
| Beam       | Angle         | 140°                       |
| LED        | Quantity      | 50pcs/chain                |
| Diameter   | (mm)          | 12mm                       |
| Emitting   | Color         | RGB                        |
| Operating  | Voltage       | DC5V                       |
| Current    | (A/1 pcs)     | 0.06A                      |
| Power      | (W)           | 0.3W/pcs                   |
| Control    | (IC)          | UCS1903/WS2811             |
| Lumen      | (lm/1 chain)  | R29 G81 B27                |
| Pixel      | Resolution    | 1024 (Dot/m <sup>2</sup> ) |
| Wire       | Length(pitch) | 8cm                        |
| Waterproof | Rating        | IP66 (PVC)                 |
| Operation  | Temperature   | -30°C—40°C                 |

## Application



Amusement attractions, rides.

Outdoor digital sign letters, digital panel.

Dance Floor, Christmas Tree lighting etc.

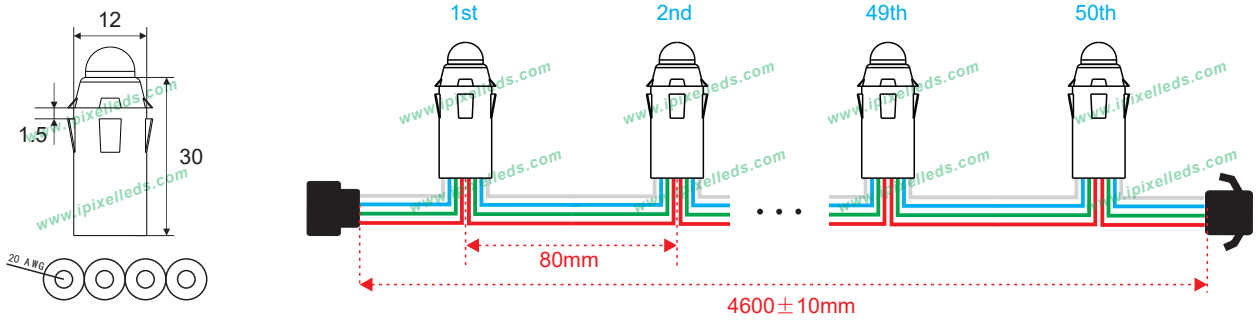
Signs, large dot matrix animation.



## More Details

|                          |  |                           |  |
|--------------------------|--|---------------------------|--|
| UCS1903<br>/Ws2811<br>IC |  | Latest 2-Pin YH connector |  |
|                          |  | Cable color definition    |  |

## Outline Dimension



## Connection Drawing

