

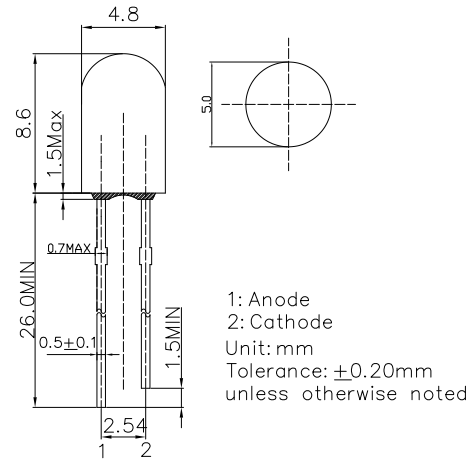
■ **Features**

- High Luminous LED
- 5mm Round Standard Directivity
- Flashing Type
- Superior UV Resistance
- Color Diffused / White Diffused (W, M only)

■ **Applications**

- Toys
- Games
- Audio / General Use

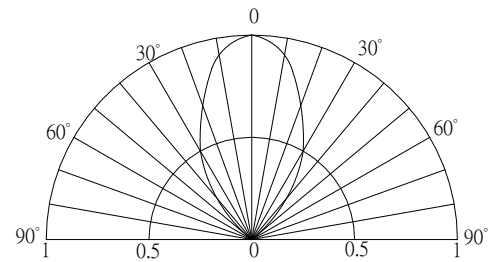
■ **Outline Dimension**



■ **Absolute Maximum Rating** (Ta=25°C)

Item	Symbol	Value	Unit
Power Supply	Voltage	5	V
Duty Cycle	Duty	1/2	-
Operating Temperature	Topr	-30 ~ +85	°C
Storage Temperature	Tstg	-40 ~ +100	°C
Lead Soldering Temperature	Tsol	260°C/5sec	-

■ **Directivity**



■ **Electrical -Optical Characteristics** (Ta=25°C)

Part Number	Emitting Color		VF (V)*			Iv(mcd)*			λD(nm)*			Fled (Hz)*	2θ1/2(deg)
			Min.	Typ.	Max.	Min.	Typ.	Max.	Min.	Typ.	Max.	Typ.	Typ
			IF = 20mA						IF = 20mA				
OSW5DS5F62B	Cool White	W	3.0	3.5	5.0	2180	3000	-	CCT:8000-18000K			1.8	60
OSM5DS5F62B	Warm White	M	3.0	3.5	5.0	1560	2180	-	CCT:2700-3200K				
OSB5SS5F64B	Blue	B	3.0	3.5	5.0	330	500	-	465	470	475		
OSG5DS5F64B	Pure Green	G	3.0	3.5	5.0	2180	3000	-	520	525	530		
OSY5JS5F64B	Yellow	Y	3.0	3.5	5.0	220	330	-	585	590	595		
OSY5MS5F64B	Yellow	Y	3.0	3.5	5.0	1120	1560	-	585	590	595		
OSO5JS5F64B	Orange	O	3.0	3.5	5.0	330	500	-	600	605	610		
OSR5JS5F64B	Red	R	3.0	3.5	5.0	220	330	-	620	625	630		
OSR5MS5F64B	Red	R	3.0	3.5	5.0	1120	1560	-	620	625	630		

*1 Tolerance of measurements of chromaticity coordinates is $\pm 10\%$
 *2 Tolerance of measurements of dominant wavelength is ± 1 nm
 *3 Tolerance of measurements of luminous intensity is $\pm 15\%$
 *4 Tolerance of measurements of forward voltage is ± 0.1 V
 *5 Tolerance of measurements of frequency is $\pm 20\%$

TYPICAL ELECTRICAL/OPTICAL CHARACTERISTIC CURVES

