

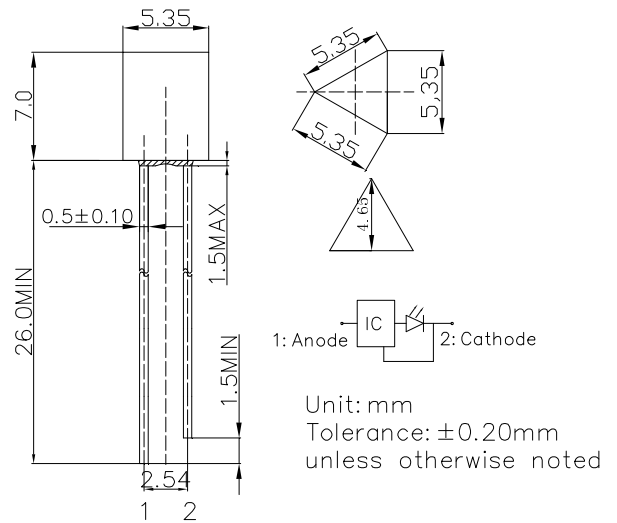
■ Features

- High Luminous LEDs
- 5.35mm Triangular Standard Directivity
- UV Resistant Epoxy
- Flashing Type
- Color Diffused Type
- White Diffused Type only for White LED

■ Applications

- Toys
- Games
- Audio
- Electronic Signs And Signals
- Other Lighting

■ Outline Dimension

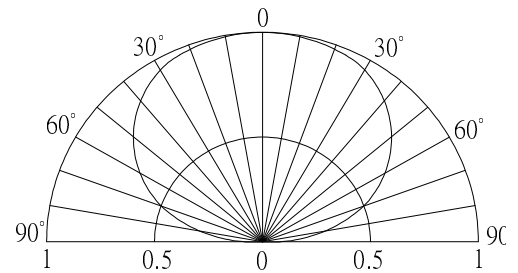


■ Absolute Maximum Rating

($T_a=25^\circ\text{C}$)

Item	Symbol	Value	Unit
		W/M/B/PG/YG/Y/O/R	
Power Supply	Voltage	5	V
Duty Cycle	Duty	1/12	-
Operating Temperature	Topr	-30 ~ +85	$^\circ\text{C}$
Storage Temperature	Tstg	-30 ~ +85	$^\circ\text{C}$
Lead Soldering Temperature	Tsol	260 $^\circ\text{C}$ /5sec	-

■ Directivity



■ Electrical -Optical Characteristics

($T_a=25^\circ\text{C}$)

Part Number	Color		VDD(V)			I _v (mcd)*			λD(nm)*			Fled (Hz)*	2θ1/2(deg)
			Min	Typ.	Max.	Min.	Typ.	Max.	Min.	Typ.	Max.	Typ.	Typ.
			I _F =20mA			I _F =20mA							
OSW5DS7ZE2B-1.8HZ	White	W	3.0	3.5	5.0	750	1120	-	CCT:8000-18000K			1.8	140
OSM5DS7ZE2B-1.8HZ	Warm White	M	3.0	3.5	5.0	750	1120	-	CCT:2700-3300K			1.8	140
OSB5SS7ZE4B-1.8HZ	Blue	B	3.0	3.5	5.0	150	220	-	465	470	475	1.8	140
OSG5DS7ZE4B-1.8HZ	Pure Green	PG	3.0	3.5	5.0	750	1120	-	520	525	530	1.8	140
OSG8HS7ZE4B-1.8HZ	Yellow Green	G	3.0	3.5	5.0	45	68	-	565	570	575	1.8	140
OSY5JS7ZE4B-1.8HZ	Yellow	Y	3.0	3.5	5.0	100	150	-	585	590	595	1.8	140
OSO5JS7ZE4B-1.8HZ	Orange	O	3.0	3.5	5.0	100	150	-	600	605	610	1.8	140
OSR5JS7ZE4B-1.8HZ	Red	R	3.0	3.5	5.0	100	150	-	620	625	630	1.8	140

*1 Tolerance of measurements of color temperature is $\pm 10\%$

*2 Tolerance of measurements of dominant wavelength is $\pm 1\text{nm}$

*3 Tolerance of measurements of luminous intensity is $\pm 15\%$

*4 Tolerance of measurements of forward voltage is $\pm 0.1\text{V}$

*5 Tolerance of measurements of Frequency is $\pm 20\%$