

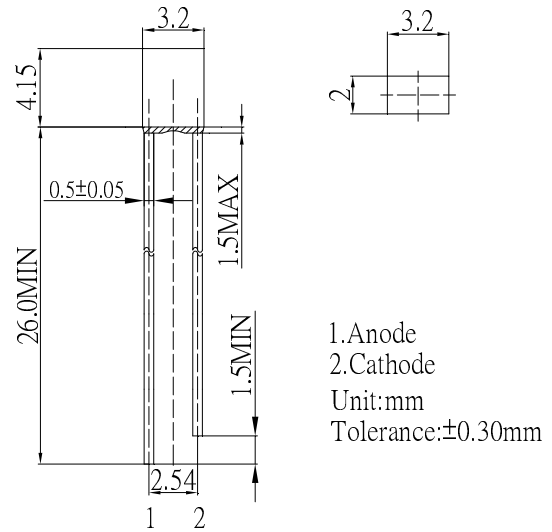
### ■Features

- High Luminous LED
- 2x3x4mm Standard Directivity
- Long Lifetime Operation
- Superior UV Resistance
- Water Clear Type

### ■Applications

- Electronic Signs And Signals
- Small Area Illuminations
- Back Lighting
- Other Lighting

### ■Outline Dimension

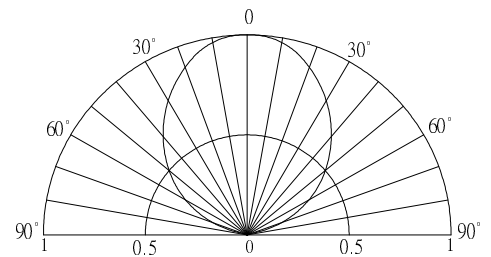


### ■Absolute Maximum Rating

(Ta=25°C)

Item	Symbo l	Value		Unit
		W/M/B/PG	R/Y	
DC Forward Current	I <sub>F</sub>	30	30	mA
Pulse Forward Current*	I <sub>FP</sub>	100	100	mA
Reverse Voltage	V <sub>R</sub>	5	5	V
Power Dissipation	P <sub>D</sub>	108	78	mW
Operating Temperature	T <sub>opr</sub>	-30 ~ +85		°C
Storage Temperature	T <sub>stg</sub>	-40~ +100		°C
Lead Soldering Temperature	T <sub>sol</sub>	260°C/5sec		-

### ■Directivity



\*Pulse width Max 0.1ms, Duty ratio max 1/10

### ■Electrical -Optical Characteristics

(Ta=25°C)

Part Number	Color		V <sub>F</sub> (V)			I <sub>R</sub> (μA)	I <sub>v</sub> (mcd)*			λD(nm)*			2θ1/2(deg)
			Min.	Typ.	Max.	Max.	Min.	Typ.	Max.	Min.	Typ.	Max.	Typ.
			I <sub>F</sub> =20mA			V <sub>R</sub> =5V	I <sub>F</sub> =20mA						
OSW5DK7BA1B	White	W	2.9	3.1	3.6	10	750	1000	-	Typ.X:0.27, Y:0.28			100
OSM5DK7BA1B	Warm White	M	2.9	3.1	3.6	10	330	500	-	Typ.X:0.45, Y:0.41			100
OSB5SA7BA1B	Blue	B	2.9	3.1	3.6	10	330	600	-	465	470	475	100
OSG5DA7BA1B	Pure Green	PG	2.9	3.1	3.6	10	750	1200	-	520	525	530	100
OSY5RU7BA1B	Yellow	Y	1.8	2.1	2.6	10	330	450	-	585	590	595	100
OSY5PA7BA1B	Yellow	Y	1.8	2.1	2.6	10	500	800	-	585	590	595	100
OSR5RU7BA1B	Red	R	1.8	2.1	2.6	10	330	450	-	620	625	630	100
OSR5PA7BA1B	Red	R	1.8	2.1	2.6	10	500	800	-	620	625	630	100

Note: \*1. Dominant wavelength tolerance: ±1nm

\*2. Tolerance of luminous intensity is ±15%