

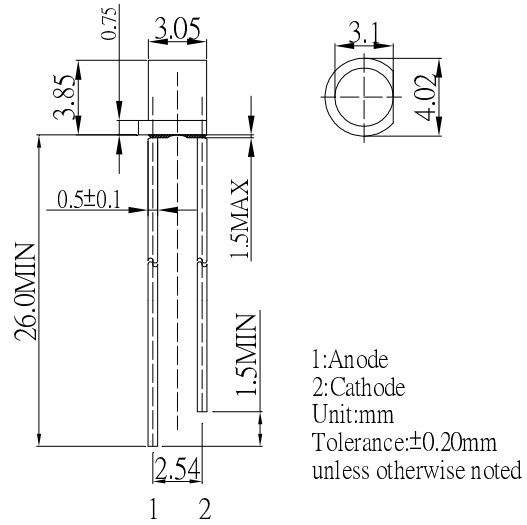
**■Features**

- High Radiant flux LEDs
- 3mm Flat Top Standard Directivity
- UV Resistant Epoxy
- Water Clear Type

**■Applications**

- Counterfeit Detection
- NDT Crack Detection
- Fluid Leak Detection
- Forensic Science/Infection Control
- Other Lighting

**■Outline Dimension**

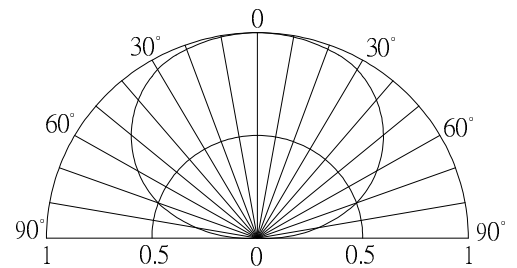


**■Absolute Maximum Rating**

(Ta=25°C)

Item	Symbol	Value	Unit
DC Forward Current	I <sub>F</sub>	30	mA
Pulse Forward Current#	I <sub>FP</sub>	100	mA
Reverse Voltage	V <sub>R</sub>	5	V
Power Dissipation	P <sub>D</sub>	114	mW
Operating Temperature	Topr	-30 ~ +85	°C
Storage Temperature	Tstg	-40 ~ +100	°C
Lead Soldering Temperature	Tsol	260°C/5sec	-

**■Directivity**



#Pulse width Max.10ms Duty ratio max 1/10

**■Electrical -Optical Characteristics**

(Ta=25°C)

Part Number	Visual Color	V <sub>F</sub> (V)*			I <sub>R</sub> (μA)	Radiant flux*(mW)			WP*(nm)			2θ1/2(deg)
		Min.	Typ.	Max.	Max.	Min.	Typ.	Max.	Min.	Typ.	Max.	Typ.
		I <sub>F</sub> =20mA			V <sub>R</sub> =5V	I <sub>F</sub> =20mA						
OSV1YL34E1A	White	3.0	3.4	3.8	10	2	4	-	360	365	370	140
OSV2YL34E1A	White	3.0	3.4	3.8	10	2.5	4.5	-	370	375	380	140
OSV3SL34E1A	Purple	3.0	3.4	3.8	10	8	10	-	380	385	390	140
OSV4DL34E1A	Purple	3.0	3.4	3.8	10	12	14	-	390	395	400	140
OSV5DL34E1A	Purple	3.0	3.4	3.8	10	12	14	-	400	405	410	140

\*1 Tolerance of measurements of Peak wavelength is ±1nm

\*2 Tolerance of measurements of Radiant flux is ±15%

\*3 Tolerance of measurements of forward voltage is ±0.1V

<p><b>LED &amp; Application Technologies</b></p>				<p>ATTENTION OBSERVE PRECAUTIONS ELECTROSTATIC SENSITIVE DEVICES</p> 
--	---	--	---	--