

■ **Features**

- Highest Luminous Flux
- Super Energy Efficiency
- Long Lifetime Operation
- Superior ESD protection
- Superior UV Resistance

■ **Applications**

- Read lights (car, bus, aircraft)
- Portable (flashlight, bicycle)
- Bollards / Security / Garden
- Traffic signaling / Beacons
- In door / Out door Commercial lights
- Automotive Ext

■ **Absolute Maximum Rating** (Ta=25°C)

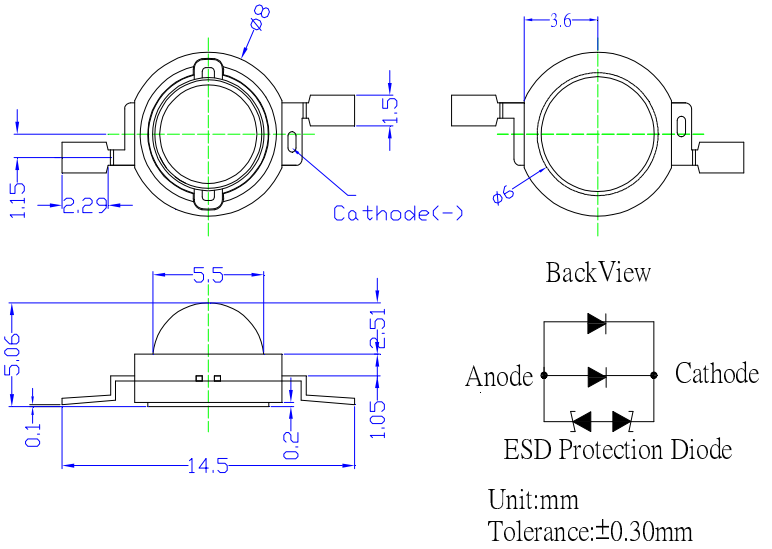
Item	Symbol	Value		Unit
		W/B/PG	R/Y	
DC Forward Current	I _F	1400	1600	mA
Pulse Forward Current*	I _{FP}	1800	2000	mA
Reverse Voltage	V _R	5	5	V
Power Dissipation	P _D	6300	5600	mW
Operating Temperature	Topr	-30 ~ +85		°C
Storage Temperature	Tstg	-40 ~ +100		°C
Lead Soldering Temperature	Tsol	260°C/5sec		°C

*Pulse width Max.10ms Duty ratio max 1/10

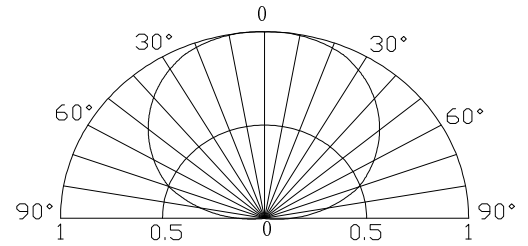
■ **Electrical -Optical Characteristics** (Ta=25°C)

Part Number	Color	Symbol	V _F (V)			I _R (μA)	CCT (K)	Luminous Flux Φ _v (lm)			λD(nm)			2θ1/2 (deg)		
			Min.	Typ.	Max.			Max.	Typ	Min.	Typ.	Max.	Min.		Typ.	Max.
			I _F =1400mA					V _R =5V	I _F =1400mA							
OSW4XDE5E1E	Pure White	W4	3.3	3.5	4.5	10	6500	300	320	-	Typ. 6500K			140		
OSM7XDE5E1E	Warm White	M7	3.3	3.5	4.5	10	4000	300	320	-	Typ.4000K					
OSM5XDE5E1E	Warm White	M5	3.3	3.5	4.5	10	3000	280	300	-	Typ.3000K					
OSB4XDE5E1E	Blue	B4	3.3	3.5	4.5	10		50	70		455	460	465			
OSG5XDE5E1E	Pure Green	G5	3.3	3.5	4.5	10		280	300		520	525	530			
OSR5XDE5E1E	Red	R5	2.3	2.5	3.5	10		140	160		620	625	630			
OSY5XDE5E1E	Yellow	Y5	2.3	2.5	3.5	10	-	140	160	-	585	590	595			

Note: Don't drive at rated current more than 5s without heat sink for Xeon 5 emitter series.



■ **Directivity**



Xeon 5 Power LED
OSXXXDE5E1E
VER C.3

■ **Handling of Silicone Lens LEDs**

Notes for handling of silicone lens LEDs

- Please do not use a force of over 3kgf impact or pressure on the silicone lens, otherwise it will cause a catastrophic failure.
- The LEDs should only be picked up by making contact with the sides of the LED body.
- Avoid touching the silicone lens especially by sharp tools such as Tweezers.
- Avoid leaving fingerprints on the silicone lens.
- Please store the LEDs away from dusty areas or seal the product against dust.
- When populating boards in SMT production, there are basically no restrictions regarding the form of the pick and place nozzle, except that mechanical pressure on the silicone lens must be prevented.
- Please do not mold over the silicone lens with another resin. (epoxy, urethane, etc)

