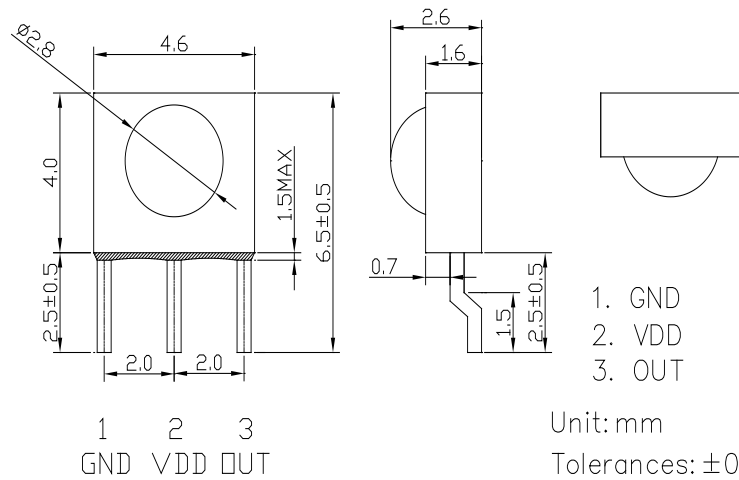


■Features

- Miniature size
- Built-in exclusive IC
- Wide half angle & long reception distance
- Good noise-proof capability
- High immunity against ambient light
- Side view

■Outline Dimension



1. GND
2. VDD
3. OUT

Unit: mm
Tolerances: ±0.20mm
unless otherwise noted

■Applications

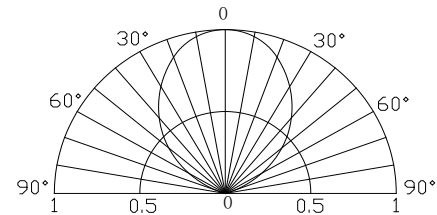
- Oximeter receiver
- Medical instrumentation
- Radiometric instruments

■Absolute Maximum Rating

(Ta=25°C)

Parameter	Symbol	Ratings	Unit
Forward Voltage	V _F	6	V
Operating Temperature	T _{opr}	-40~+100	°C
Storage Temperature	T _{stg}	-40~+125	°C
Lead Soldering Temperature	T _{sol}	260°C/5sec	-

■Directivity

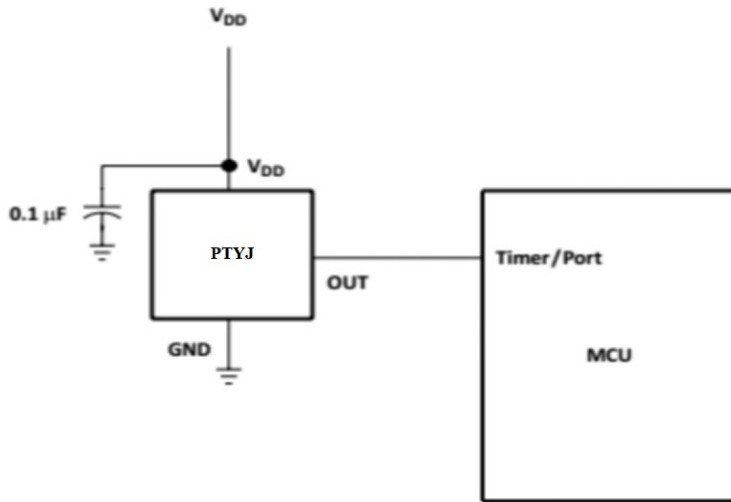


■Electrical -Optical Characteristics

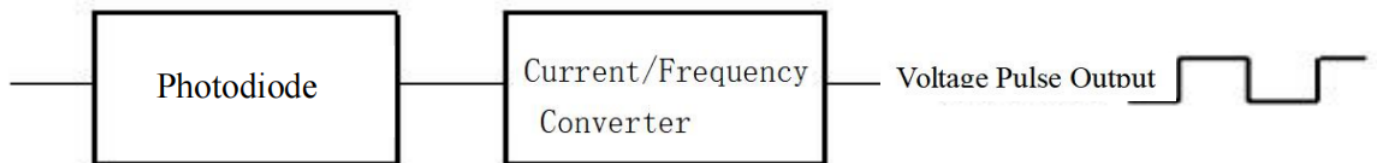
(Ta=25°C)

Item	Symbol	Condition	Min.	Typ.	Max.	Unit
Supply Voltage	V _{cc}		1.5	-	5.0	V
Reception Distance	d		-	10	-	m
High Level Output Voltage	V _{OH}	LOH=1mA	4.0	4.5	-	V
Low Level Output Voltage	V _{OL}	LOH=1mA	-	0.25	0.4	V
Supply Current	I _{cc}		-	1.6	2.5	mA
Full Scale Frequency			-	700	-	KHZ
Output Frequency Temperature Coefficient		Wavelength < 700nm, fo = 50 kHz	-	±300	-	ppm/°C
Supply Voltage Sensitivity	KSVS	3.3-5.0V	-	±0.65	-	%/v
Output Frequency	F _o	E _e =25uW/c m ²	40	50	60	KHZ
Dark Frequency	F _d	E _e = 0uW/c m ²	-	4	-	HZ
Peak Sensing Wavelength	λ _p		-	940	-	nm
Spectral Sensitivity	λ	Spectral Sensitivity	320	-	1050	nm
Half Angle	Δθ			90		deg

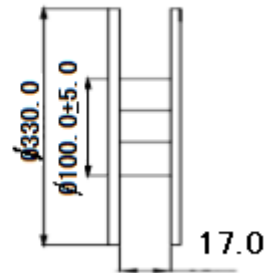
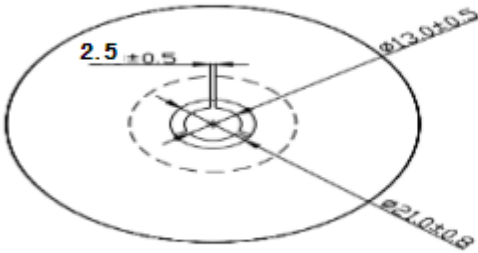
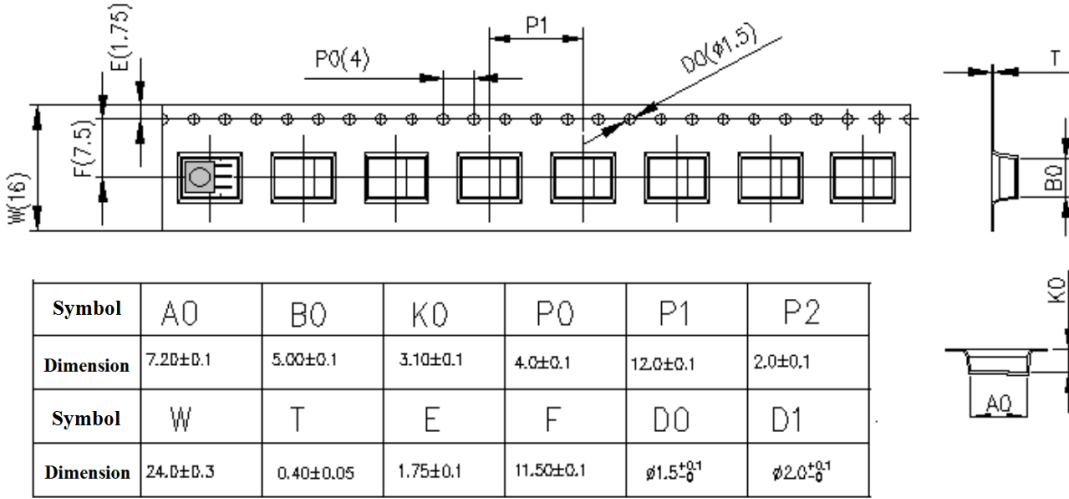
■ Application Circuit Diagram



■ Functional Diagram



PACKING DIMENTIONS



Notes:

1. Unit: mm
2. 1200pcs/Reel