

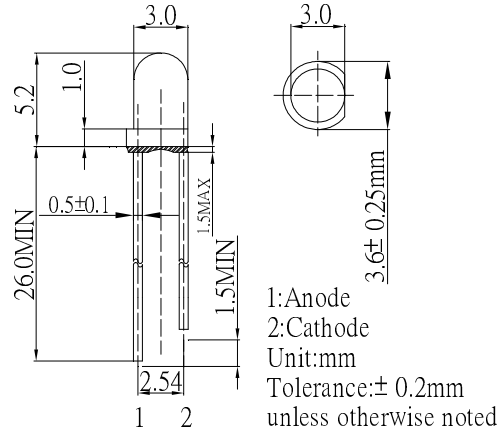
■ Features

- Normal Bright LEDs
- 3mm Standard Directivity
- UV Resistant Epoxy
- Color Diffused Type

■ Applications

- Toys
- Games
- Audio
- Christmas Light
- Indications

■ Outline Dimension

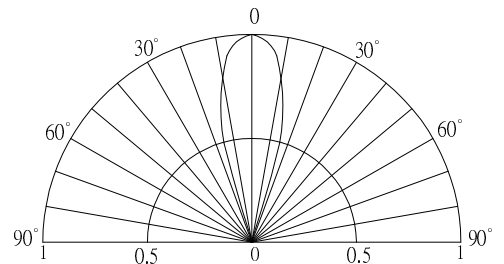


■ Absolute Maximum Rating

(Ta=25°C)

Item	Symbol	Value	Unit
		NG/NY/NR	
DC Forward Current	I _F	30	mA
Pulse Forward Current#	I _{FP}	100	mA
Reverse Voltage	V _R	5	V
Power Dissipation	P _D	72	mW
Operating Temperature	Topr	-30 ~ +85	°C
Storage Temperature	Tstg	-40 ~ +100	°C
Lead Soldering Temperature	Tsol	260°C/5sec	-




■ Directivity



#Pulse width Max.10ms Duty ratio max 1/10

■ Electrical -Optical Characteristics

(Ta=25°C)

Part Number	Color			V _F (V)			I _R (μA)	I _v (mcd)			λD (nm)			θ1/2 (deg)
				Min.	Typ.	Max.	Max.	Min.	Typ.	Max.	Min.	Typ.	Max.	Typ.
				I _F =20mA			V _R =5V			I _F =20mA				
OSNG3134A	Yellow Green	NG		1.8	2.0	2.4	10	10	15	20	565	570	575	30
OSNY3134A	Yellow	NY		1.8	2.0	2.4	10	10	20	30	585	590	595	30
OSNR3134A	Red	NR		1.8	2.0	2.4	10	10	15	20	630	640	650	30

*1 Tolerance of measurements of dominant wavelength is ±1nm

*2 Tolerance of measurements of luminous intensity is ±15%

*3 Tolerance of measurements of forward voltage is ±0.1V